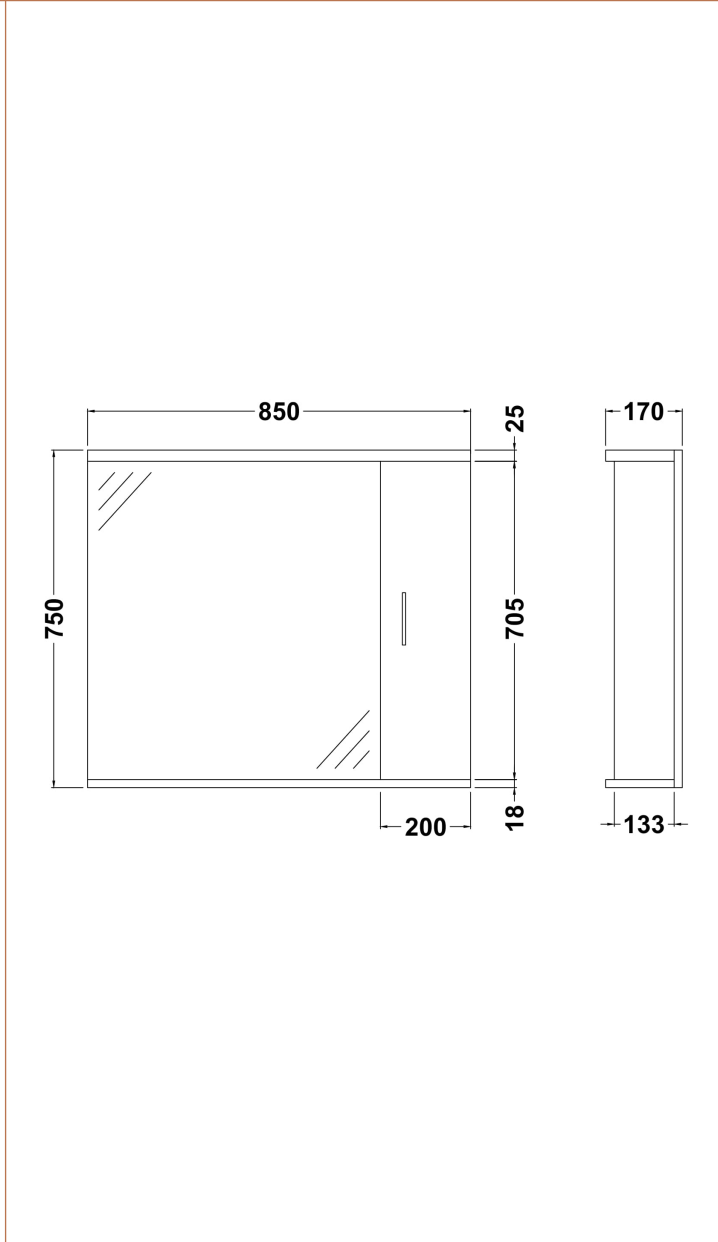


Sales Code: PRC115

Description: 850 Pr Mirror W/ 2 Lights



### Product Dimensions

|                   |       |
|-------------------|-------|
| Height (mm):      | 750   |
| Width (mm):       | 850   |
| Depth (mm):       | 170   |
| Nett Weight (kg): | 24.11 |

### Packaging Dimensions

|                    |       |
|--------------------|-------|
| Height (mm):       | 195   |
| Width (mm):        | 875   |
| Depth (mm):        | 780   |
| Gross Weight (kg): | 24.11 |

### Packaging Data

|               |                               |
|---------------|-------------------------------|
| Box Colour:   | Brown Cardboard Box - Printed |
| Box Qty:      | 1                             |
| Label Size:   | 100 x 50                      |
| Label Colour: | Not Applicable                |
| Label Qty:    | 0                             |

### Outer Box Dimensions (If Applicable)

|                    |               |
|--------------------|---------------|
| Height (mm):       |               |
| Width (mm):        |               |
| Depth (mm):        |               |
| Gross Weight (kg): |               |
| Barcode:           | 5055369079902 |

### Product Details

|                          |                              |
|--------------------------|------------------------------|
| Country of Origin:       | China                        |
| Fitting Instruction:     | No                           |
| CE Certification:        | No                           |
| FSC Certified Materials: |                              |
| Colour:                  | Gloss White                  |
| Construction Method:     | Cam & Wood Dowel             |
| Construction Type:       | Rigid                        |
| Cabinet Finish:          | MFC Painted Gloss            |
| Fascia Finish:           | Mdf Painted Gloss            |
| Cabinet Thickness (mm):  |                              |
| Fascia Thickness (mm):   | 18                           |
| Drawer Included:         | No                           |
| Drawer Type:             | Not Applicable               |
| No of Shelves:           | 2                            |
| Hinge Type:              | 95 Degree Clip-On Soft Close |
| Hinge Included:          | Yes                          |
| Adjustable Legs:         | No, Not Required             |
| Fixings Included:        | Yes                          |
| Handle Style:            | Modern                       |
| Waste Shroud:            | Not Applicable               |
| Handle Included:         | Yes                          |
| Handle Type:             | D-Shape                      |