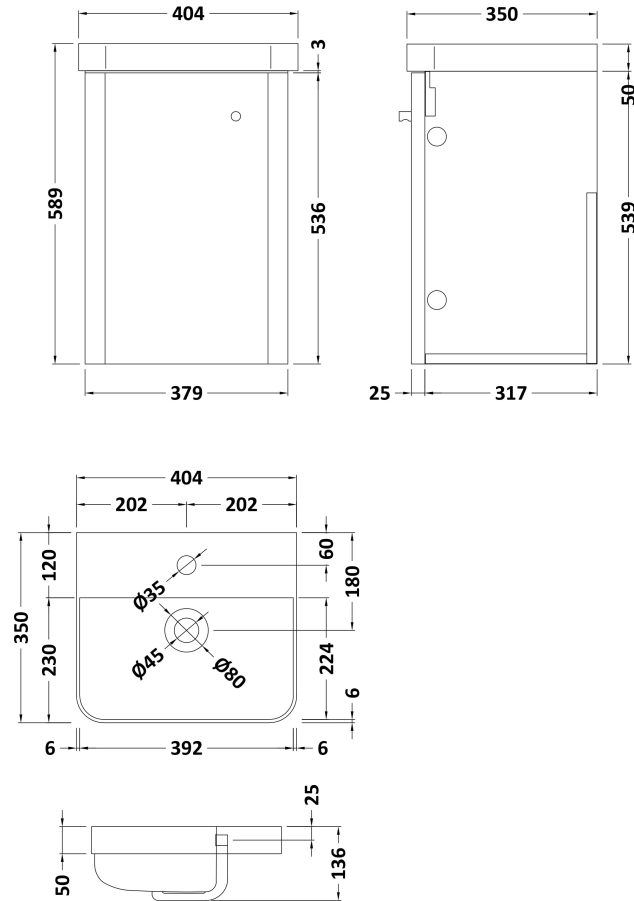


Sales Code: COR1401

Description: 400 W/H 1-Door Unit & Basin

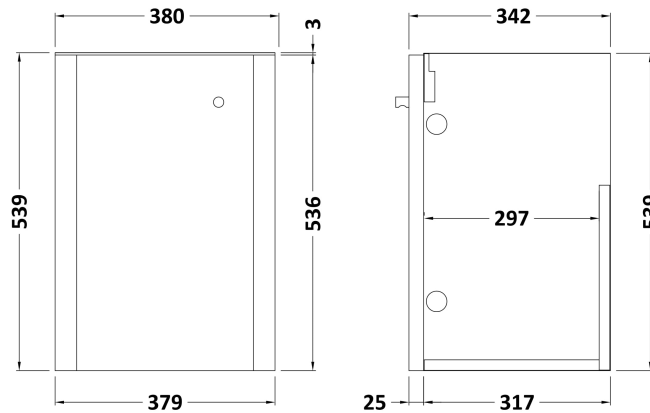


Packaging Details

Barcode: 5056462658421

Sales Code: RC01452

Description: 400 Wall Hung 1-Door Unit



Product Dimensions

| | |
|-------------------|------|
| Height (mm): | 539 |
| Width (mm): | 379 |
| Depth (mm): | 342 |
| Nett Weight (kg): | 13.5 |

Packaging Dimensions

| | |
|--------------------|-----|
| Height (mm): | 560 |
| Width (mm): | 400 |
| Depth (mm): | 340 |
| Gross Weight (kg): | 14 |

Packaging Data

| | |
|---------------|-------------------------------|
| Box Colour: | Brown Cardboard Box - Printed |
| Box Qty: | 1 |
| Label Size: | 100 x 50 |
| Label Colour: | Not Applicable |
| Label Qty: | 0 |

Outer Box Dimensions (If Applicable)

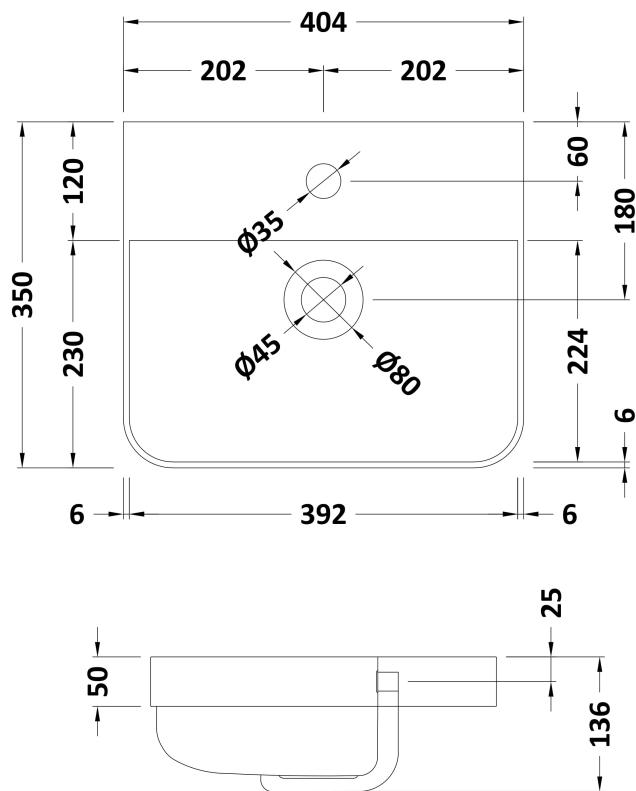
| | |
|--------------------|---------------|
| Height (mm): | |
| Width (mm): | |
| Depth (mm): | |
| Gross Weight (kg): | |
| Barcode: | 5056462618432 |

Product Details

| | |
|--------------------------|------------------------------|
| Country of Origin: | China |
| Fitting Instruction: | No |
| CE Certification: | N/A |
| FSC Certified Materials: | Yes |
| Colour: | Satin Anthracite |
| Construction Method: | Cam & Wood Dowel |
| Construction Type: | Rigid |
| Cabinet Finish: | MFC Painted Matt |
| Fascia Finish: | Mdf Painted Matt |
| Cabinet Thickness (mm): | 16 |
| Fascia Thickness (mm): | 25 |
| Drawer Included: | No |
| Drawer Type: | Not Applicable |
| No of Shelves: | 0 |
| Hinge Type: | 95 Degree Clip-On Soft Close |
| Hinge Included: | Yes |
| Adjustable Legs: | No |
| Fixings Included: | Yes |
| Handle Style: | Modern |
| Waste Shroud: | No |
| Handle Included: | Yes |
| Handle Type: | Knob |

Sales Code: RC002

Description: 400 Thin Edge Basin 1Th (Radius Corners)



Product Dimensions

| | |
|-------------------|-----|
| Height (mm): | 135 |
| Width (mm): | 405 |
| Depth (mm): | 355 |
| Nett Weight (kg): | 9.5 |

Packaging Dimensions

| | |
|--------------------|-----|
| Height (mm): | 415 |
| Width (mm): | 440 |
| Depth (mm): | 210 |
| Gross Weight (kg): | 10 |

Packaging Data

| | |
|---------------|-------------------------------|
| Box Colour: | Brown Cardboard Box - Printed |
| Box Qty: | 1 |
| Label Size: | 130 x 95 |
| Label Colour: | Not Applicable |
| Label Qty: | 0 |

Outer Box Dimensions (If Applicable)

| | |
|--------------------|---------------|
| Height (mm): | |
| Width (mm): | |
| Depth (mm): | |
| Gross Weight (kg): | |
| Barcode: | 5056211853381 |

Product Details

| | |
|----------------------|-------------------------------|
| Country of Origin: | China |
| Fitting Instruction: | No |
| Certification: | CE: No WRAS: N/A WRAS No: N/A |
| Product Material: | Vitreous China |
| Fixing Supplied: | No |

Pans/Bidets: Trap Style: Not Applicable Includes Seat: Not Applicable

Seats: Seat Type: Not Applicable Material: Not Applicable
Function: Not Applicable Hinge Type: Not Applicable
Hinge Material: Not Applicable

Cisterns: Operating Type: Not Applicable Fittings: Not Applicable
Lever Type: Not Applicable

Basins: Tap Hole: One Taphole Chain Stay Hole: No
Template: Not Required Waste Type Req: Slotted
Overflow Inc: Yes Overflow Cover: Yes
Inner Bowl Depth (mm): 86 mm