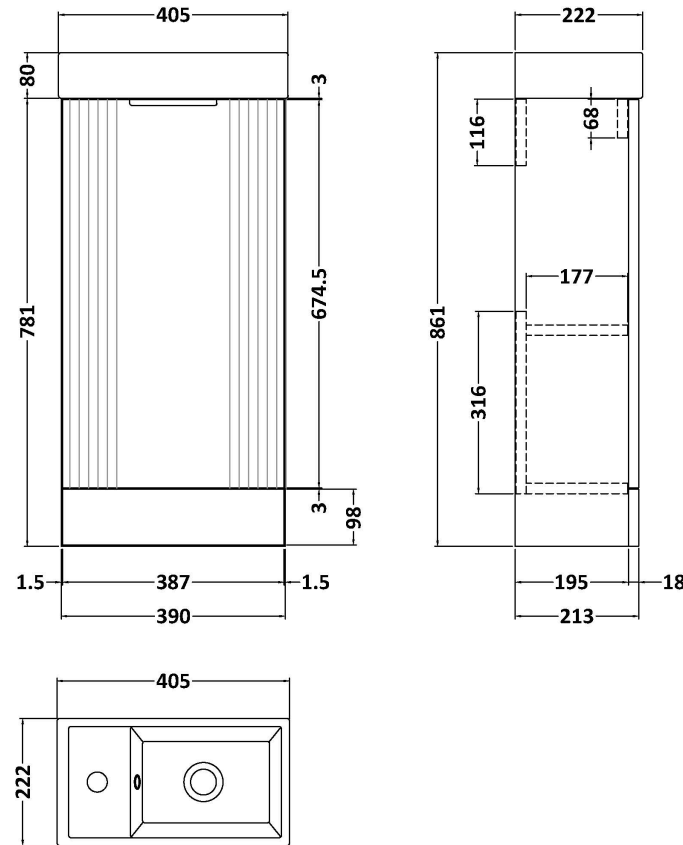


Sales Code: FLT220

Description: 400 F/S Single Door Unit Inc Basin



Product Dimensions

Height (mm):	781
Width (mm):	400
Depth (mm):	222
Nett Weight (kg):	17.5

Packaging Dimensions

Height (mm):	830
Width (mm):	240
Depth (mm):	410
Gross Weight (kg):	18.5

Packaging Data

Box Colour:	Brown Cardboard Box - Printed
Box Qty:	0
Label Size:	0 x 0
Label Colour:	Not Applicable
Label Qty:	0

Outer Box Dimensions (If Applicable)

Height (mm):	
Width (mm):	
Depth (mm):	
Gross Weight (kg):	
Barcode:	5056462639499

Product Details

Country of Origin:	China
Fitting Instruction:	Yes
CE & UKCA:	No
FSC Certified Materials:	Yes
Colour:	Satin Grey
Construction Method:	Cam & Wood Dowel
Construction Type:	Rigid
Cabinet Finish:	MFC Painted Matt
Fascia Finish:	Mdf Painted Matt
Cabinet Thickness (mm):	16
Fascia Thickness (mm):	18
Drawer Included:	No
Drawer Type:	Not Applicable
No of Shelves:	1
Hinge Type:	95 Degree Clip-On Soft Close
Hinge Included:	Yes
Adjustable Legs:	No
Fixings Included:	No
Handle Style:	Modern
Waste Shroud:	No
Handle Included:	Yes
Handle Type:	Bar