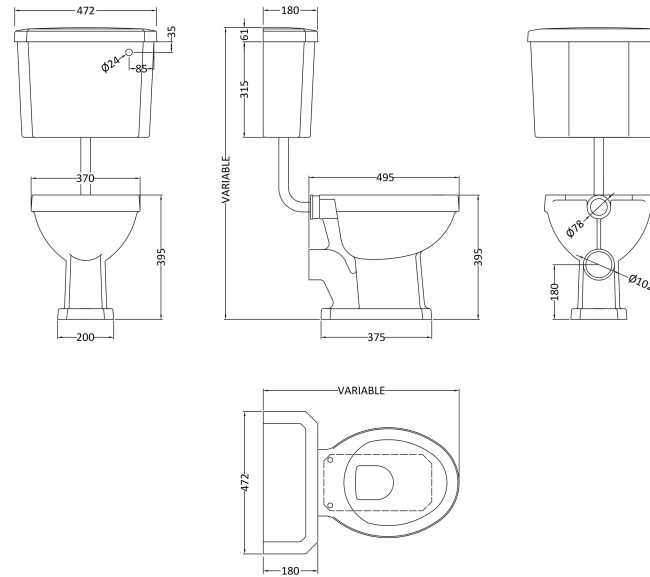


Sales Code: Cct001

Description: Carlton Low Level Wc & Flush Pipe Kit

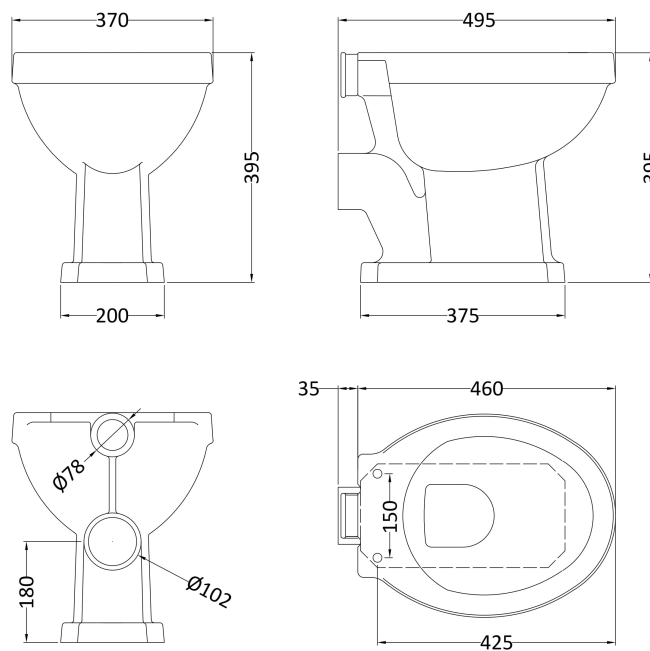
### Packaging Details

Barcode: 5056211820062



Sales Code: NCS870

Description: High/Low Level Pan (Excluding Seat)



**Product Dimensions**

Height (mm):	395
Width (mm):	370
Depth (mm):	495
Nett Weight (kg):	15.61

**Packaging Dimensions**

Height (mm):	425
Width (mm):	525
Depth (mm):	430
Gross Weight (kg):	16.5

**Packaging Data**

Box Colour:	Brown Cardboard Box - Printed
Box Qty:	1
Label Size:	100 x 50
Label Colour:	Not Applicable
Label Qty:	0

**Outer Box Dimensions (If Applicable)**

Height (mm):	
Width (mm):	
Depth (mm):	
Gross Weight (kg):	
Barcode:	5055369040131

**Product Details**

Country of Origin:	China
Fitting Instruction:	No
Certification: CE & UKCA:	N/A
WRAS:	N/A
WRAS No:	N/A
Product Material:	Vitreous China
Fixing Supplied:	No

**Pans/Bidets:** Trap Style: P Trap Includes Seat: No

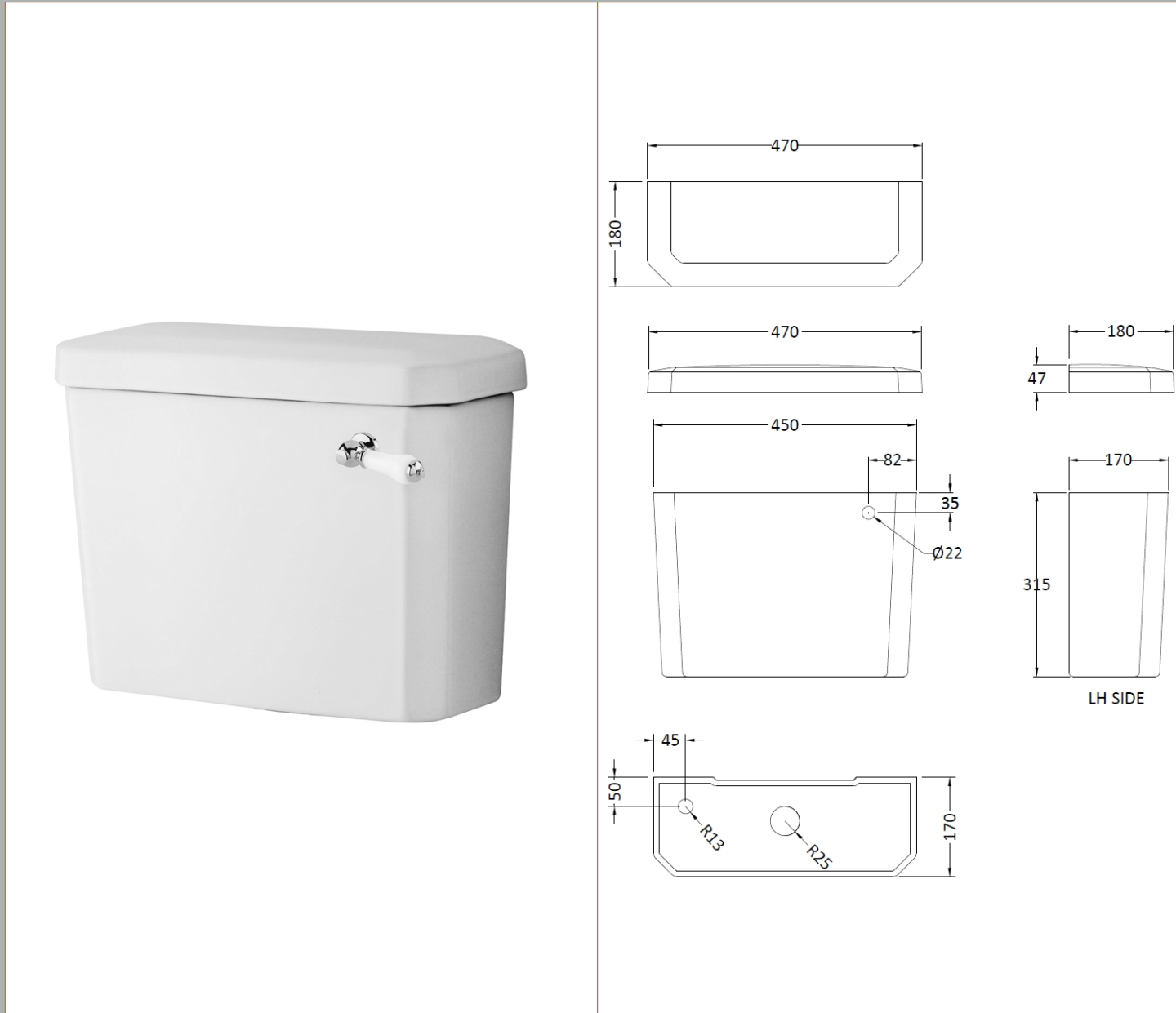
**Seats:** Seat Type: Round Material: Not Applicable  
 Function: Not Applicable Hinge Type: Top & Bottom Fix  
 Hinge Material: Not Applicable

**Cisterns:** Operating Type: Not Applicable Fittings: Not Applicable  
 Lever Type: Not Applicable

**Basins:** Tap Hole: Not Applicable Chain Stay Hole: Not Applicable  
 Template: Not Applicable Waste Type Req: Not Applicable  
 Overflow Inc: Not Applicable Overflow Cover: Not Applicable  
 Inner Bowl Depth (mm): N/A

Sales Code: NCS871

Description: Low Level Cistern Ceramic Lever Ftgs



**Product Dimensions**

Height (mm):	362
Width (mm):	470
Depth (mm):	180
Nett Weight (kg):	14.5

**Packaging Dimensions**

Height (mm):	316
Width (mm):	168
Depth (mm):	455
Gross Weight (kg):	16.5

**Packaging Data**

Box Colour:	Brown Cardboard Box
Box Qty:	1
Label Size:	100 x 50
Label Colour:	White Label
Label Qty:	2

**Outer Box Dimensions (If Applicable)**

Height (mm):	
Width (mm):	
Depth (mm):	
Gross Weight (kg):	
Barcode:	5055369040148

**Product Details**

Country of Origin:	China
Fitting Instruction:	No
Certification: CE & UKCA:	WRAS: Yes WRAS No: N/A
Product Material:	Vitreous China
Fixing Supplied:	No

**Pans/Bidets:** Trap Style: Not Applicable Includes Seat: Not Applicable

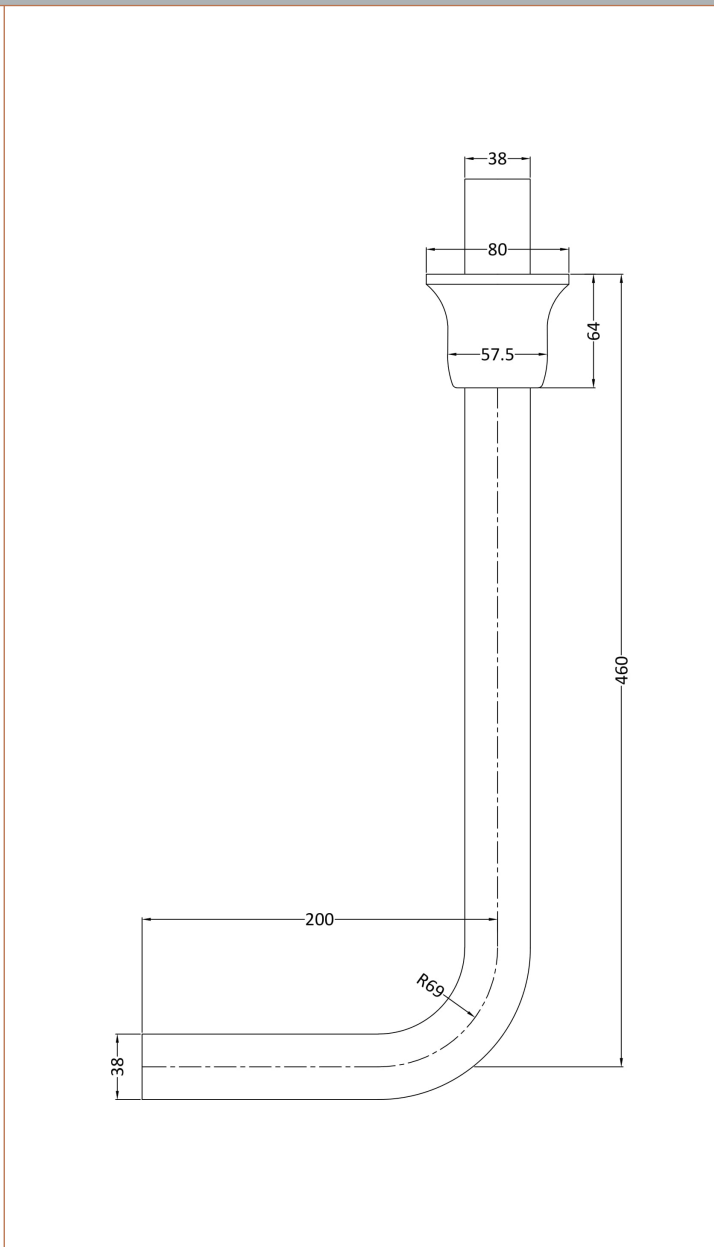
**Seats:** Seat Type: Not Applicable Material: Not Applicable  
Function: Not Applicable Hinge Type: Not Relevant  
Hinge Material: Not Applicable

**Cisterns:** Operating Type: Lever Fittings: Loose Single 6L  
Lever Type: Plastic Chrome Platec

**Basins:** Tap Hole: Not Applicable Chain Stay Hole: Not Applicable  
Template: Not Required Waste Type Req: Not Applicable  
Overflow Inc: Not Applicable Overflow Cover: Not Applicable  
Inner Bowl Depth (mm): N/A

Sales Code: FA302

Description: Low Level Flush Pipe Pack



### Product Dimensions

Length (mm):	
Width (mm):	81
Height (mm):	480
Depth (mm):	220
Nett Weight (kg):	0.78

### Packaging Dimensions

Height (mm):	540
Width (mm):	200
Depth (mm):	75
Gross Weight (kg):	0.8

### Packaging Data

Box Colour:	White Cardboard Box
Box Qty:	1
Label Size:	100 x 50
Label Colour:	White Label
Label Qty:	2

### Outer Box Dimensions (If Applicable)

Height (mm):	
Width (mm):	
Length (mm):	
Depth (mm):	
Gross Weight (kg):	6
Barcode:	5055146107613

### Product Details

Country of Origin:	China
Fitting Instruction:	No
CE & UKCA:	N/A
Product Material:	Brass
Heating Element Wattage:	Not Applicable
Colour/Finish:	Chrome
Product Diameter:	38mm
Connection Size:	11/2"