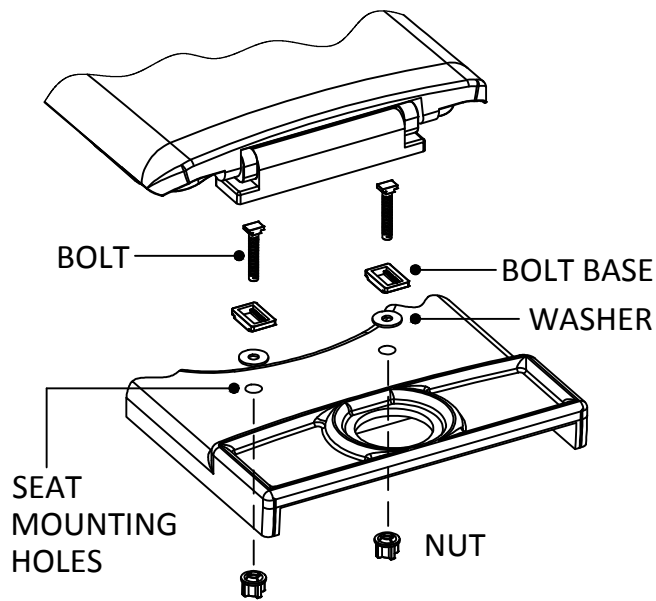
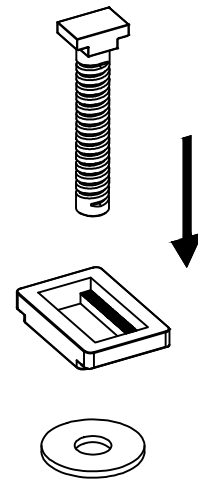


TOILET SEAT INSTALLATION INSTRUCTION

1

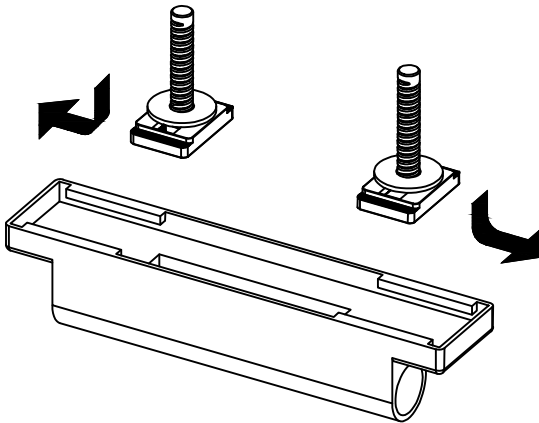


2



PLACE THE BOLT THROUGH THE BOLT BASE AND WASHER

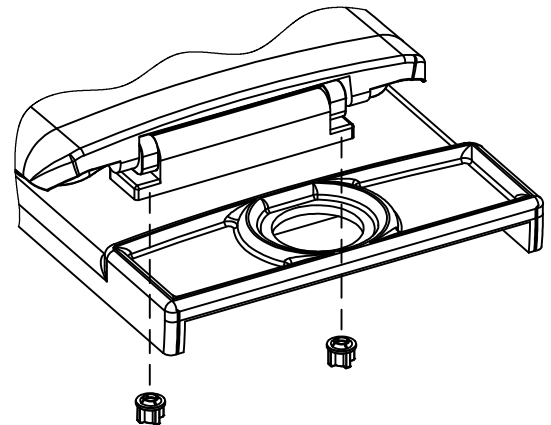
3



SLIDE THE BOLT ASSEMBLIES INTO THE SLOTS ON THE UNDERSIDE OF THE SEAT BARREL

CENTRALISE TO THE SEAT MOUNTING ENSURING BOTH SIDES ARE EVEN

4



LOCATE THE SEAT BOLTS INTO THE SEAT MOUNTING HOLES AND USE THE NUTS TO FIX THE SEAT IN PLACE ON THE UNDERSIDE.

ENSURE THE SEAT IS EVEN AND LEVEL BEFORE TIGHTENING NUTS. DO NOT OVER TIGHTEN

IMPORTANT! DO NOT FORCE THE LID OR SEAT TO CLOSE AS THIS WILL DAMAGE THE SOFT CLOSE MECHANISM.

MAINTENANCE (PLEASE READ CAREFULLY)

- We recommend that your toilet seat is regularly cleaned with a soft damp cloth and mild soap solution.
- Do not scrub or scour the surfaces or use abrasive cleaning materials.
- Do not use cleaners containing bleach.
- Do not stand on the lid or ring of your toilet seat.