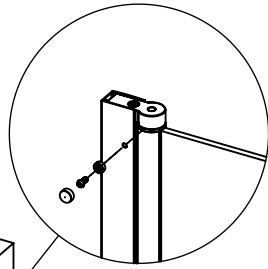
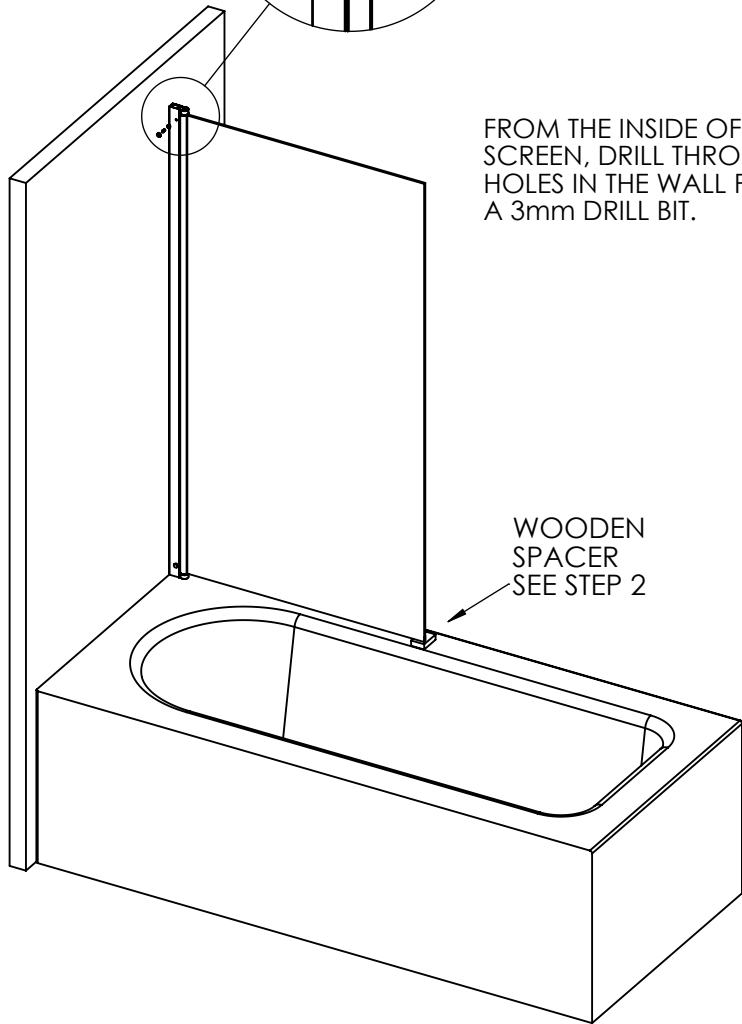


3.



FROM THE INSIDE OF THE BATH SCREEN, DRILL THROUGH THE HOLES IN THE WALL PROFILE WITH A 3mm DRILL BIT.



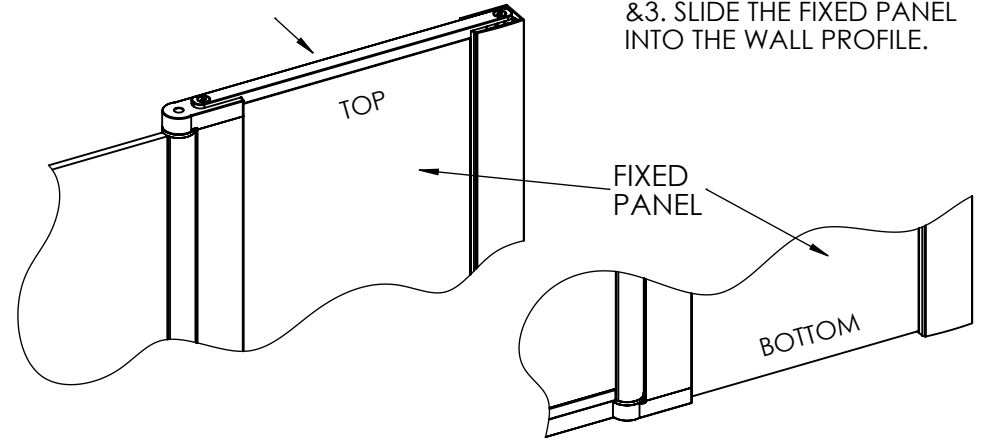
WOODEN SPACER
SEE STEP 2

FIT THE SMALL SCREWS, CUP WASHER AND CHROME CAP IN 2 POSITIONS. THE SCREEN IS NOW FIXED IN PLACE

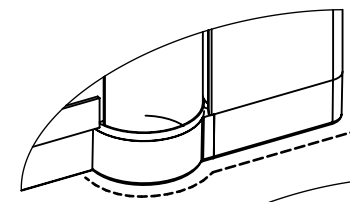
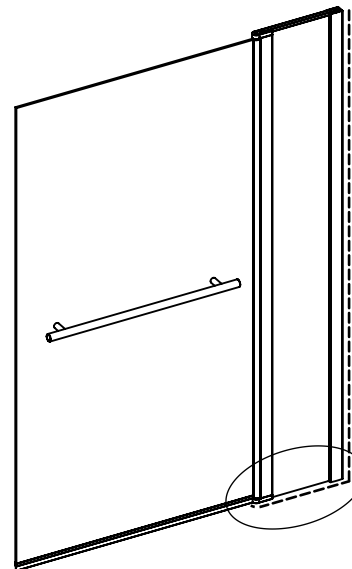
EXTRA INFORMATION IF FITTING A SCREEN WITH A FIXED GLASS PANEL.

CHROME BRACING BAR TO THE TOP.
DO NOT REMOVE, ESSENTIAL STRUCTURAL PART.

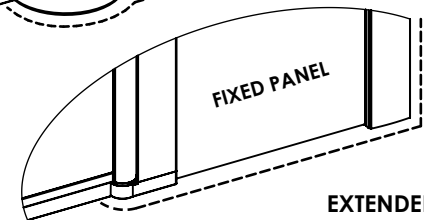
FIT THIS SCREEN IN EXACTLY THE SAME WAY AS STEPS 1, 2 & 3. SLIDE THE FIXED PANEL INTO THE WALL PROFILE.



4. SILICONE AS BELOW - - - - ALLOW 24 HOURS TO DRY BEFORE USING.



NON-EXTENDED SCREEN



EXTENDED SCREEN WITH FIXED GLASS PANEL

AFTERCARE: ENSURE YOU CLEAN YOUR PRODUCT USING A MILD DETERGENT DILUTED IN WATER REMOVING ANY RESIDUE WITH A SOFT DAMP CLOTH.
MAINTENANCE: ENSURE MOVING PARTS ARE FREE FROM DEBRIS OR SOAP BUILD UP.