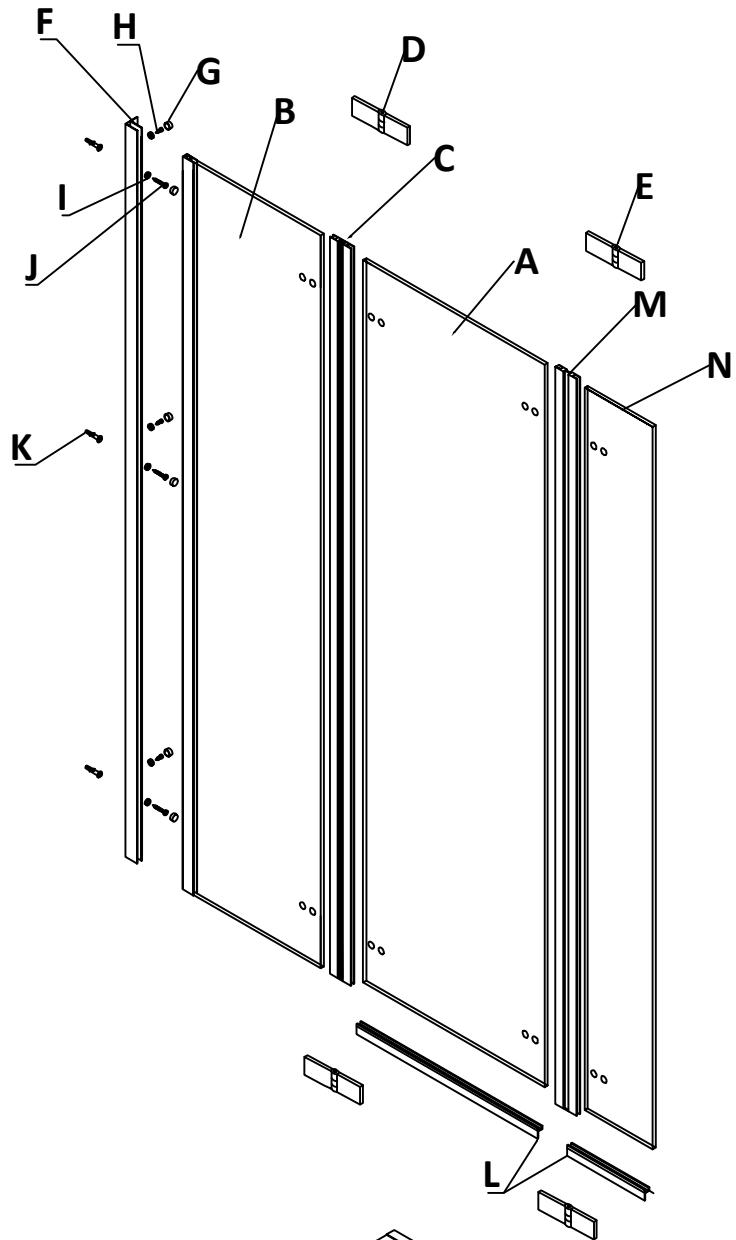


HINGED (2 PART) SQUARE SHOWER BATH SCREEN INSTRUCTIONS

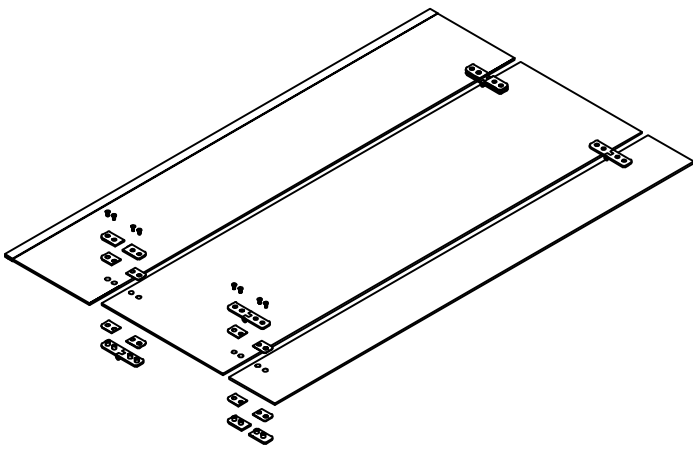
WE RECOMMEND THAT THE INSTALLATION OF THIS PRODUCT IS CARRIED OUT BY A COMPETENT PROFESSIONAL.

A	HINGED PANEL	1
B	FIXED PANEL	1
C	MAGNETIC SEAL	1
D	MAIN HINGE (ACC069AA)	2
E	FLIPPER HINGE (ACC075AA)	2
F	WALL POST	1
G	COVER CAPS	6
H	10mm SELF TAPPING SCREW	3
I	SCREW COLLARS	6
J	30mm SCREW	3
K	WALL PLUGS	3
L	BOTTOM SEAL	2
M	CONCERTINA SEAL	1
N	FLIPPER SEAL	1
	HANDLE (ERSBS1 ONLY)	1

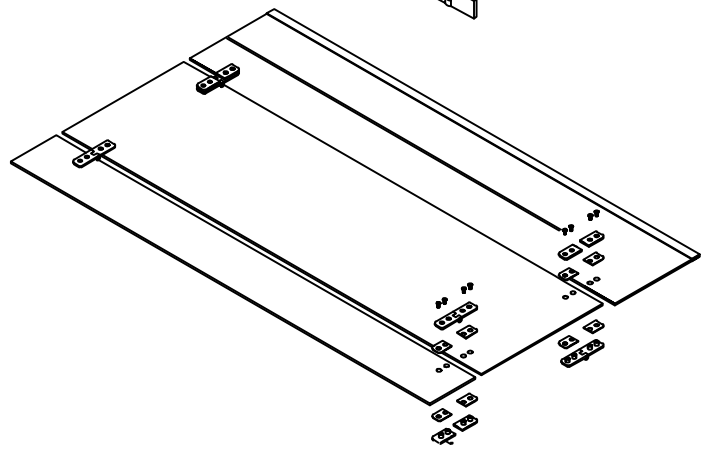


TOOLS REQUIRED

POWER DRILL
 3.2 mm H.S DRILL
 5mm MASONRY DRILL
 POZI DRIVE SCREW DRIVER
 SPIRIT LEVEL

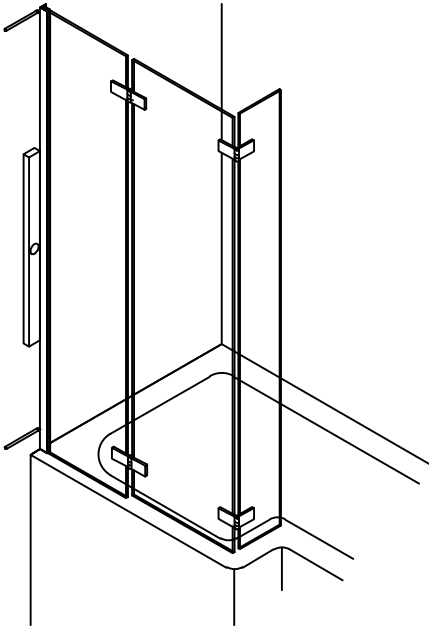


RIGHT HAND ASSEMBLY



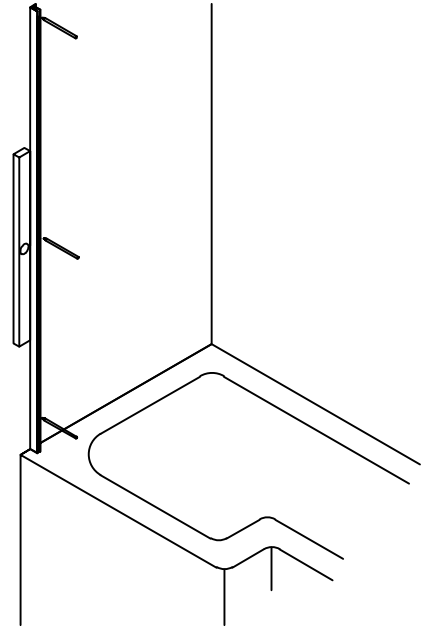
LEFT HAND ASSEMBLY

AFTERCARE - ENSURE YOU CLEAN YOUR PRODUCT USING A MILD DETERGENT DILUTED IN WATER, REMOVING ANY RESIDUE WITH A SOFT DAMP CLOTH.
MAINTENANCE - ENSURE MOVING PARTS ARE FREE FROM ANY DEBRIS OR SOAP BUILD UP.

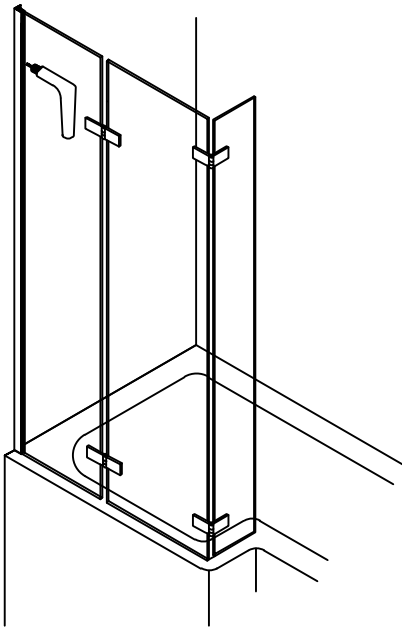
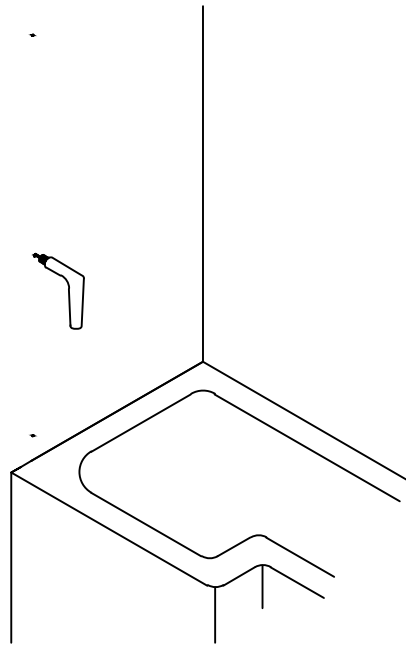


2. PUT THE WALL POST ONTO THE FIXED PANEL, WITH THE HELP OF ANOTHER PERSON PLACE IN POSITION ON THE BATH. USING A SPIRIT LEVEL MARK THE POSITION OF THE WALL POST ON THE WALL WHERE IT WILL BE FIXED.

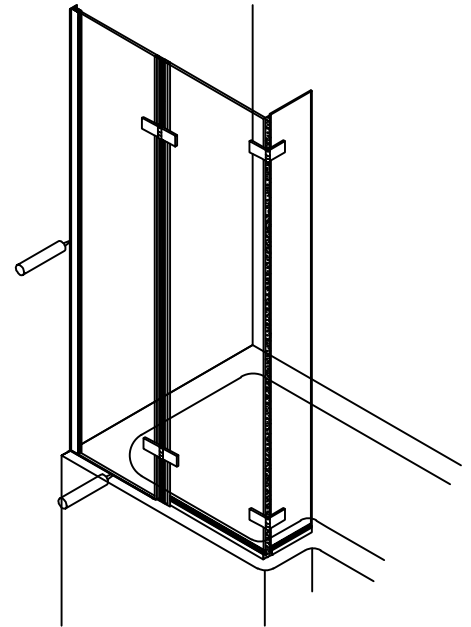
4. REMOVE THE WALL POST AND DRILL WHERE MARKED FOR THE WALL FIXINGS. REPLACE THE WALL POST AND SECURE INTO POSITION.



3. REMOVE THE SCREEN AND WALL POST FROM THE BATH, TAKE THE WALL POST AND PUT BACK INTO POSITION, USING A SPIRIT LEVEL TO ENSURE THAT THE POST IS PLUMB MARK THE POSITION OF THE 3 FIXING HOLES.



5. WITH THE HELP OF ANOTHER PERSON PLACE THE ASSEMBLED SCREEN INTO POSITION. MARK THE POSITIONS FOR THE 3 SIDE FIXINGS (SLIGHTLY OFFSET FROM THE WALL FIXINGS SO YOU CAN FIX THE COVER CAPS) ENSURE YOU DRILL THROUGH INTO THE FIRST PART OF THE HOLLOW BOX SECTION OF THE ALUMINIUM PROFILE ON THE FIXED SCREEN BEING CAREFUL NOT TO GO THROUGH THE OTHER SIDE (DO NOT DRILL INTO THE GLASS SECTION). DRILL THROUGH USING A 3.2 mm BIT AND FIX USING THE 10mm SELF TAPPING SCREWS.



6. FIT THE MAGNETIC SEAL BY SPLITTING THE SEAL AND ATTACHING TO THE VERTICAL SIDES OF THE FIXED AND HINGED PANEL THIS CAN BE DONE WITH THE DOOR IN THE OPEN POSITION. FIT THE BOTTOM SEAL AND BUTT THIS UP AGAINST MAGNETIC SEAL. USING A SANITARY GRADE SILICONE SEALANT SEAL DOWN THE WALL POST AND AROUND THE INSIDE AND OUTSIDE AT THE BOTTOM OF THE FIXED PANEL. LEAVE TO SET FOR 24 HOURS BEFORE USING THE BATH SCREEN.