

8mm HINGED BATH SCREEN

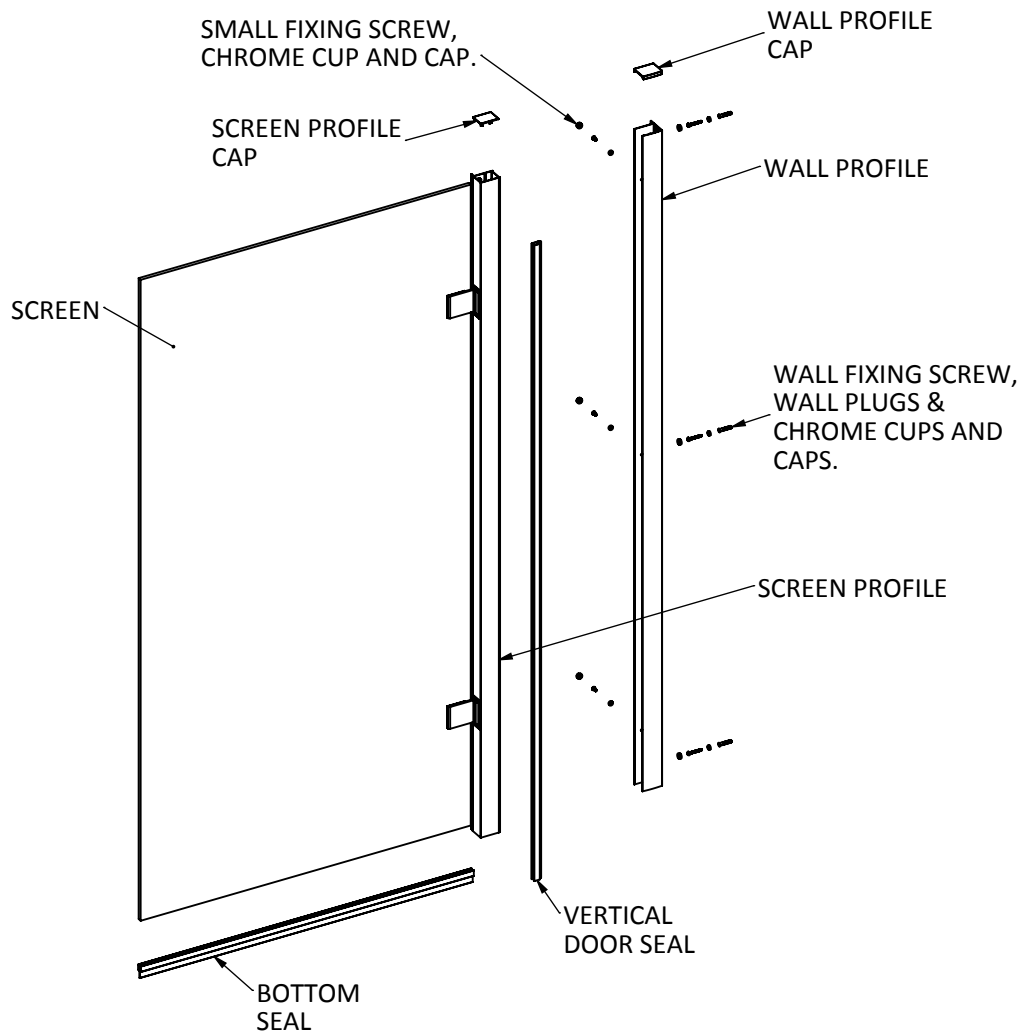
UNPACK THE BOX AND ENSURE ALL COMPONENTS ARE PRESENT.

NO REFUND OR REFITTING COST WILL BE GIVEN IF INCOMPLETE OR DAMAGED GOODS HAVE BEEN FITTED.

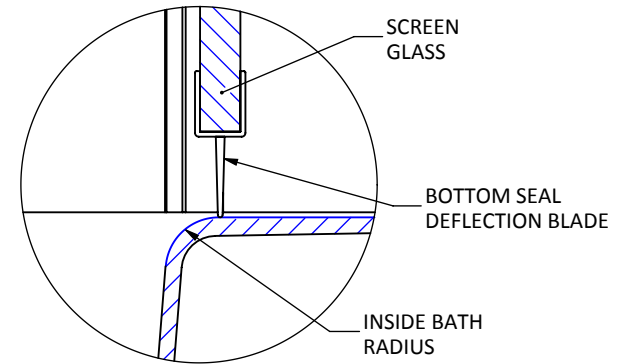
THE TOUGHENED SAFETY GLASS SHOULD BE HANDLED WITH CARE AS IMPACTS WILL DAMAGE THE GLASS OR BATH.

TOOLS REQUIRED

POWER DRILL - 3mm DRILL BIT - 6mm MASONRY DRILL BIT - CROSS HEAD SCREW DRIVER - TAPE MEASURE - PENCIL - SILICONE GUN WITH SANITARY GRADE SEALANT - SPIRIT LEVEL.



1

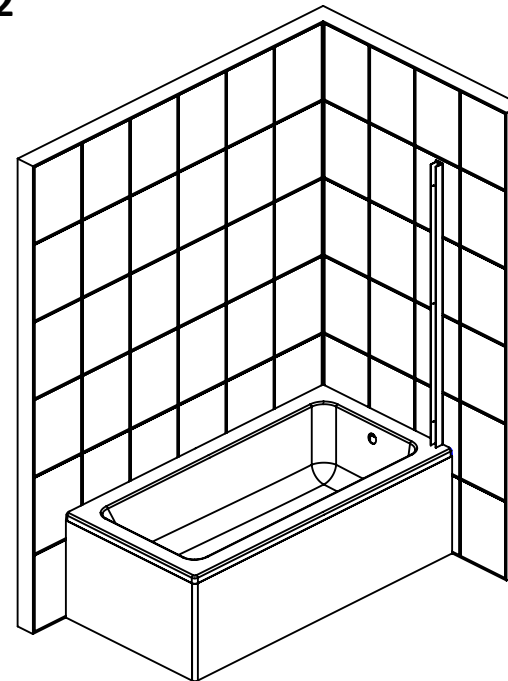


TO POSITION YOUR SCREEN, PUT THE WALL PROFILE ONTO THE END OF THE SCREEN PROFILE AND PUT THE BOTTOM SEAL ON THE BOTTOM OF THE SCREEN GLASS.

POSITION THE SCREEN SO THAT THE BOTTOM SEAL DEFLECTION BLADE IS TO THE INSIDE RADIUS OF THE BATH LEDGE; AS SHOWN IN THE VIEW ABOVE. CHECK LEVEL WITH A SPIRIT LEVEL.

ONCE HAPPY, MARK THE POSITION OF THE WALL PROFILE WITH A PENCIL AND MARK THROUGH THE WALL PROFILE FIXING HOLES WITH A PENCIL.

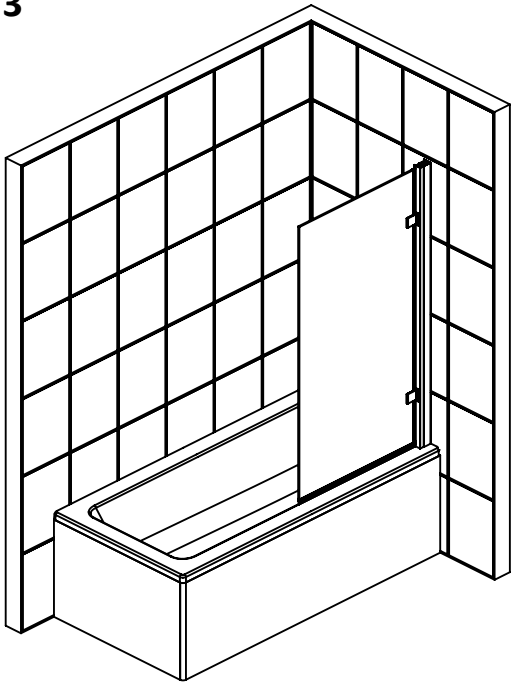
2



DRILL AND PLUG THE WALL WHERE YOU MARKED FOR THE FIXING HOLES. THEN FIX THE WALL PROFILE IN PLACE USING THE LARGE FIXING SCREWS OR SUITABLE FIXINGS.

ENSURE YOU USE THE SCREW CUPS AND CAPS.

3



BEFORE REPLACING THE SCREEN ASSEMBLY, YOU WILL NEED TO SLIDE THE VERTICAL DOOR SEAL DOWN THE HINGE SIDE OF THE GLASS AND PUSH ONTO THE END OF THE GLASS.

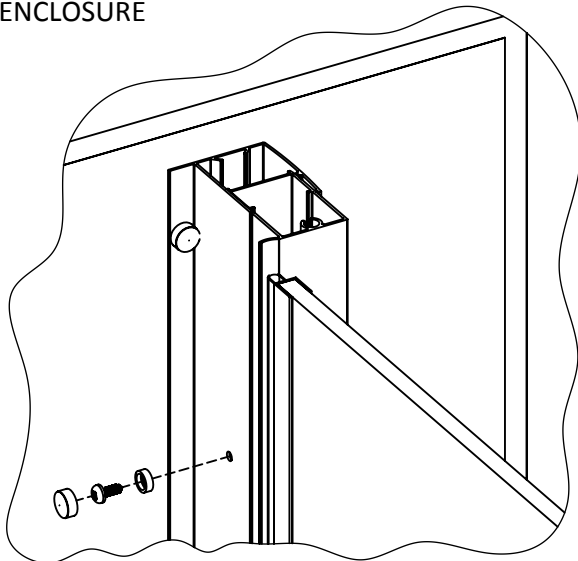
NOW SLIDE THE SCREEN ASSEMBLY INTO THE WALL PROFILE. THE BOTTOM EDGE OF THE GLASS MUST BE PARALLEL TO THE BATH TOP FACE.

POSITION THE SCREEN ASSEMBLY SO THAT THERE'S AN EQUAL AMOUNT OF SCREEN PROFILE IN THE WALL PROFILE AND SO THERE'S AN ADEQUATE AMOUNT OF MATERIAL TO PIN THE PROFILE USING HOLES PROVIDED.

ENSURE SQUARE AND TRUE WITH A SPIRIT LEVEL.

4

VIEW FROM INSIDE OF ENCLOSURE

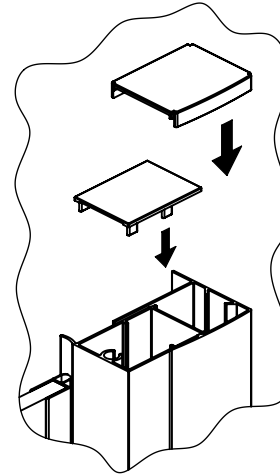


TO PIN YOUR SCREEN IN PLACE USE THE 3mm DRILL BIT TO DRILL THROUGH THE HOLES IN THE WALL PROFILE.

ENSURE YOU ONLY DRILL THROUGH ONE WALL THICKNESS.

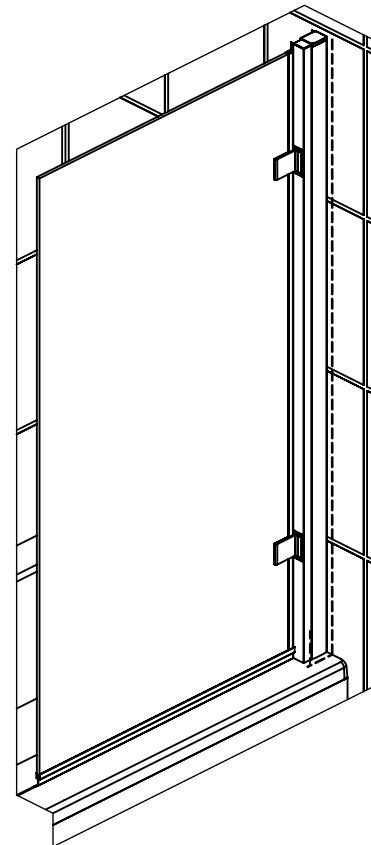
NOW PIN THE SCREEN USING THE SMALL FIXING SCREWS, CUPS AND CAPS.

5

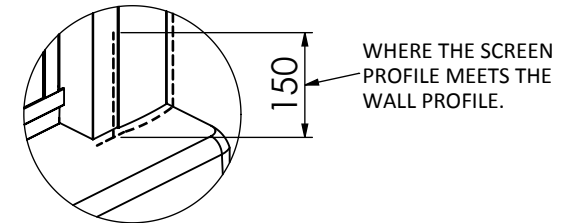


FIT THE SCREEN TOP CAPS AS SHOWN ACROSS.

6



EXTERNALLY SILICONE SEAL THE WALL PROFILE WHERE IT MEETS THE WALL AND 150mm HIGH AS SHOWN IN THE DEATAILED VIEW BELOW. ALL IN A CONTINUOUS BEAD.



AFTERCARE - ENSURE YOU CLEAN YOUR PRODUCT USING A MILD DETERGENT DILUTED IN WATER, REMOVING ANY RESIDUE WITH A SOFT DAMP CLOTH.

MAINTENANCE - ENSURE MOVING PARTS ARE FREE FROM ANY DEBRIS OR SOAP BUILD UP.