

Product Data Sheet: 230013

NymaCARE Close coupled flangeless Doc M Packs - left hand



Product Detail:

- 4 x 600mm Grab rails
- 1 x 450mm Grab rail
- 1 x 800mm Friction hinged rail
- 1 x Back rest rail (wall hung & back to wall only)
- 1 x Pan & cistern
- 1 x Ring only toilet seat with stainless steel hinge
- 1 x Single tap hole basin & fittings
- 1 x Sequential TMV3 basin mixer
- 1 x Spatula cistern lever

Stainless steel construction

Flangeless design eliminates dirt traps

Complies with Doc M of the Building Regulations

LABC approved

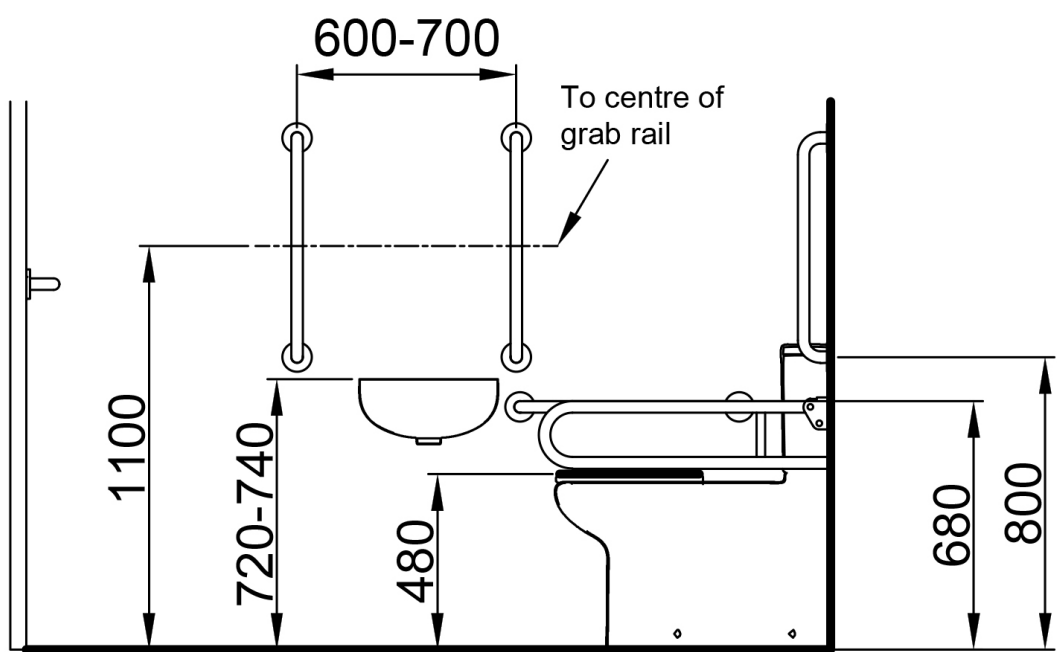
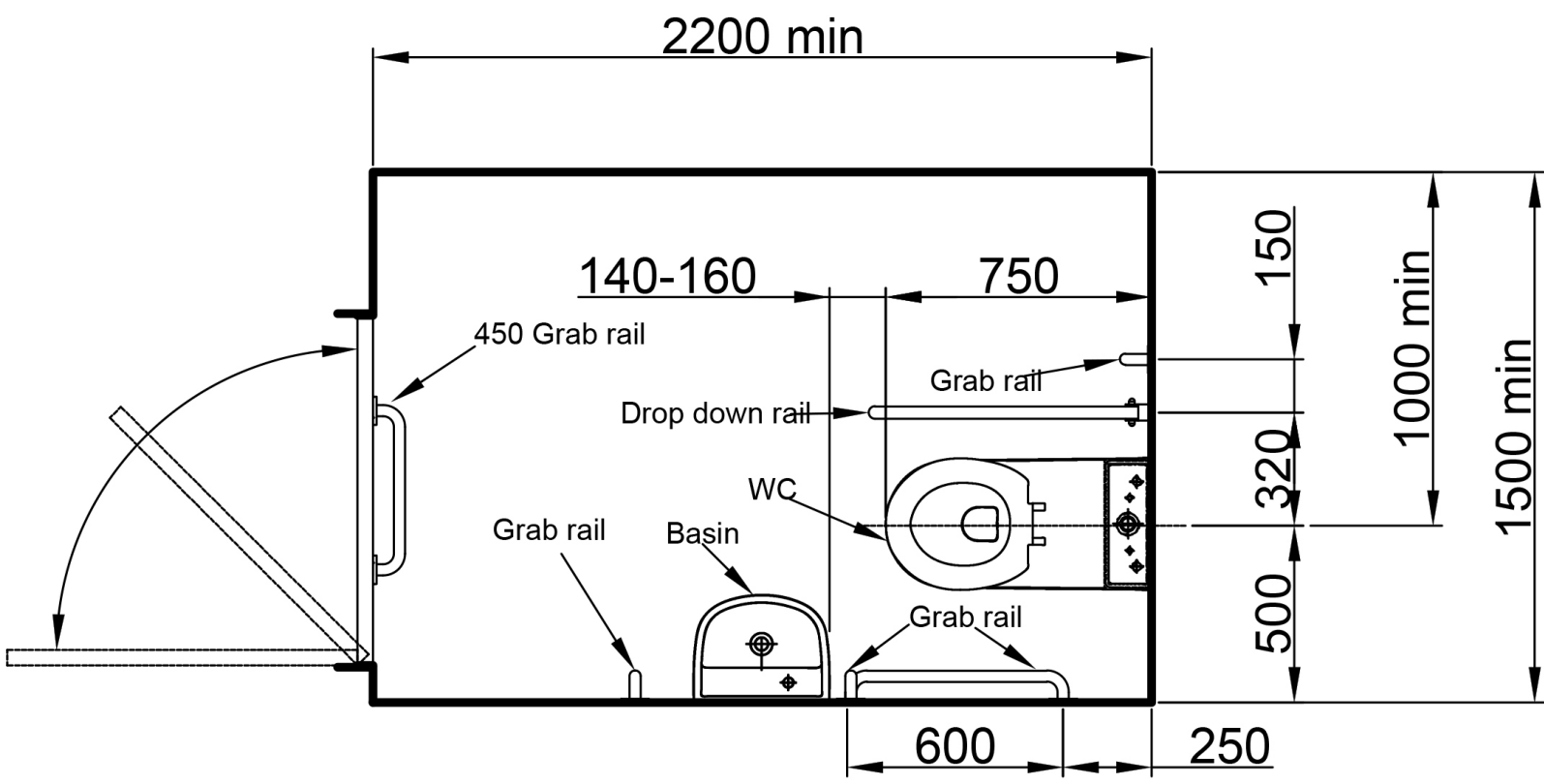
WRAS approved

?All components available as individual products for continuity of specification

Reference (specify): 230013

Available colours/finishes





Above is for guidance only, refer to relevant building regulations
 (Only Nymas components shown. See data sheet for pack components).

Order Code	Size (A)
230013	

PLEASE NOTE: Every effort has been made to ensure as much accuracy as possible. However, due to print restrictions exact colour match is not always possible. Featured products may also be changed from time to time, but are correct at time of publication.

* Terms and Conditions apply - www.nymas.co.uk/warranties