

Product Data Sheet: SB-081

Premium padded wall mounted shower seat with back, arms and legs



Product Detail:

- Non-corrosive aluminium & stainless frame construction
- Durable clip on moulded plastic seat with PU pad for user comfort
- Drainage holes through pads for improved user experience
- Adjustable legs with both E-clip adjustment in 25mm increments and fine adjustment
- Wide range of height adjustability
- Padded fold down arm rests

MAX RATED LOAD: 250 kg

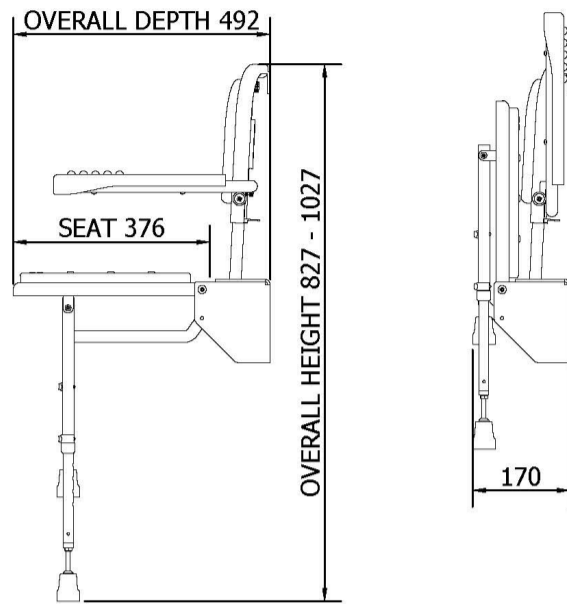
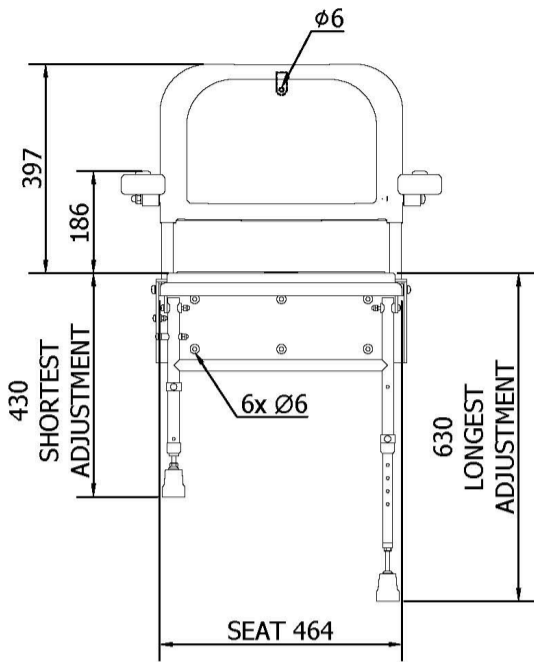
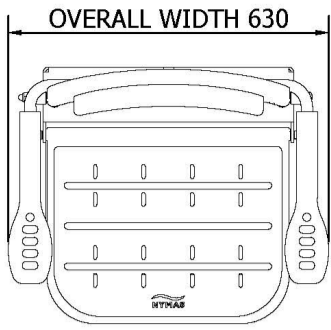
Reference (specify): SB-081

Available colours/finishes

DB

EB

GY



DWG2D_SB_081_04_11.4.18

Order Code	Size (A)
SB-081	

PLEASE NOTE: Every effort has been made to ensure as much accuracy as possible. However, due to print restrictions exact colour match is not always possible. Featured products may also be changed from time to time, but are correct at time of publication.

* Terms and Conditions apply - www.nymas.co.uk/warranties