

NymaPRO Lift and lock stainless steel hinged Rail with leg



Product Detail:

- Adjustable folding support leg
- Lift and lock folding mechanism
- Non-corrosive stainless steel construction
- Doc M compliant

MAX RATED LOAD: 135 kg

Reference (specify): 211965 / 650mm

Available colours/finishes

DB

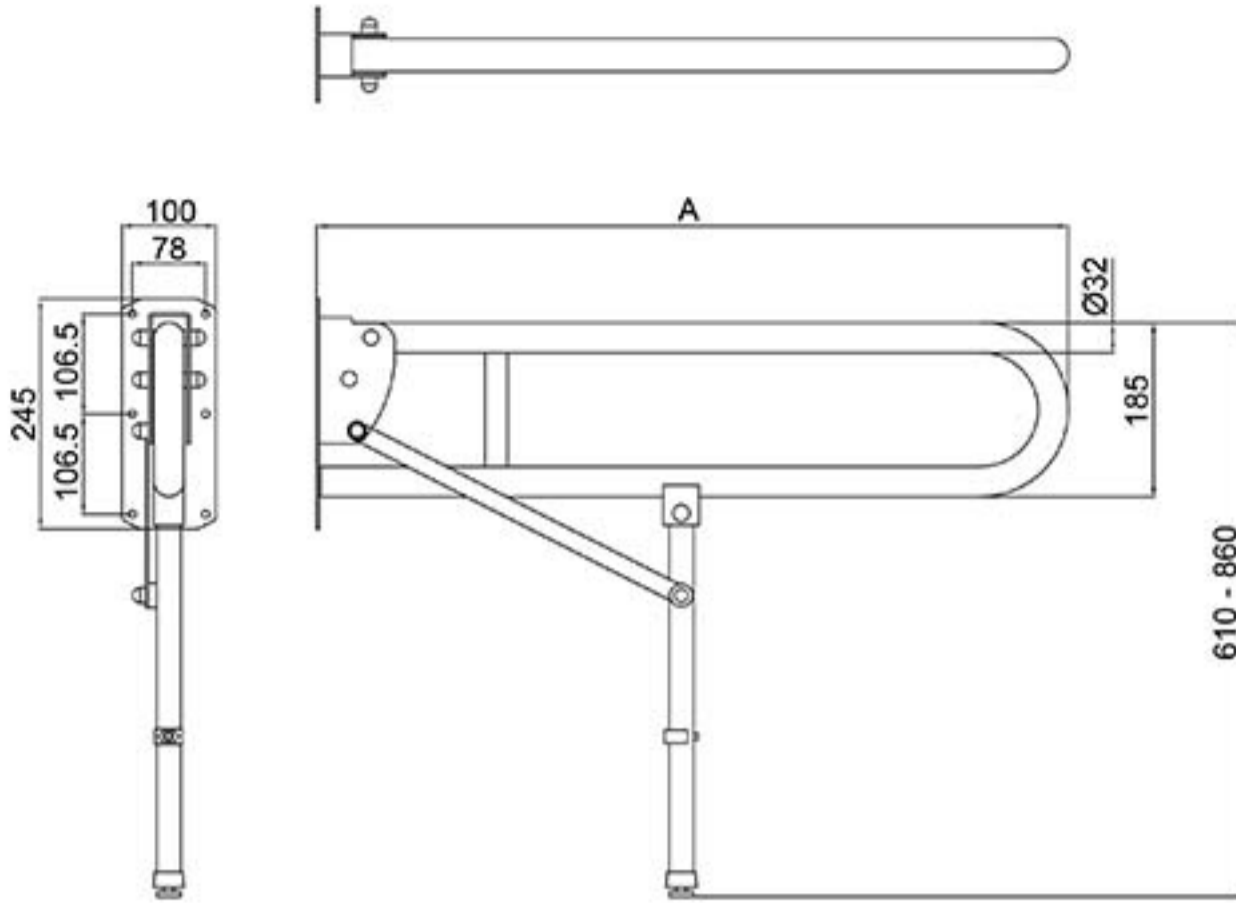
DG

GY

SP

SS

WH



Order Code	Size (A)
211965	650mm
211980	800mm

PLEASE NOTE: Every effort has been made to ensure as much accuracy as possible. However, due to print restrictions exact colour match is not always possible. Featured products may also be changed from time to time, but are correct at time of publication.

* Terms and Conditions apply - www.nymas.co.uk/warranties