

Plastic soap dispenser

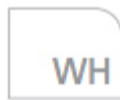


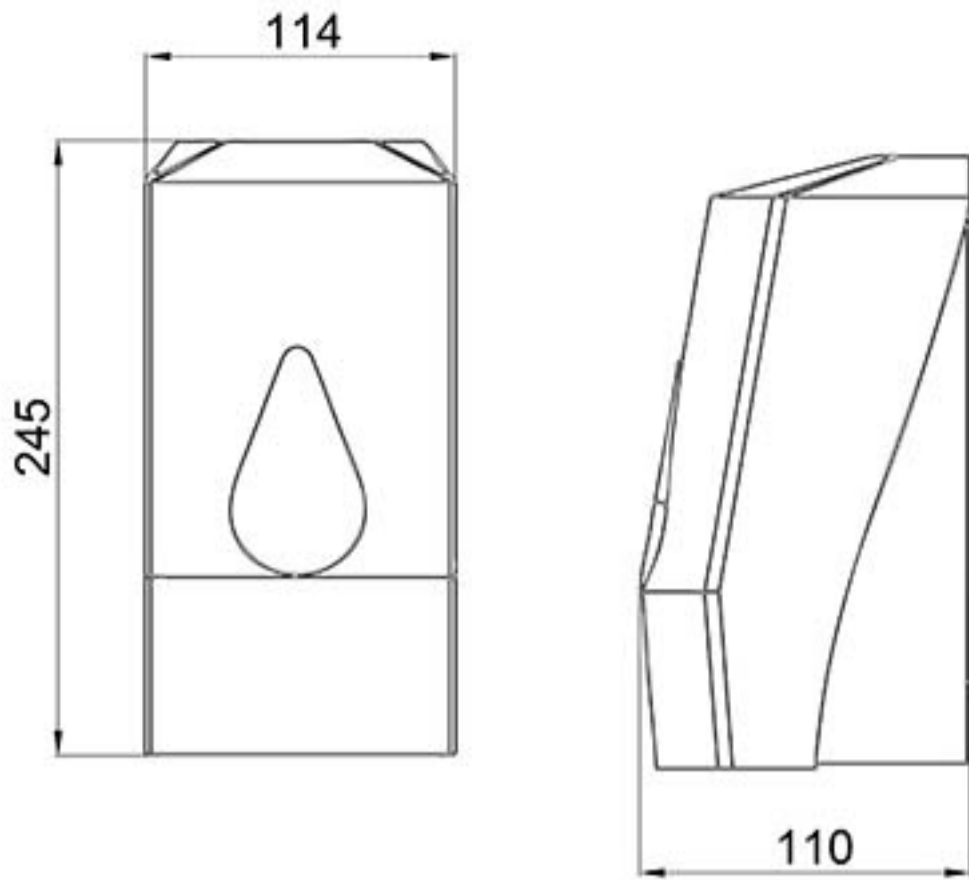
Product Detail:

Robust ABS plastic construction Locking mechanism Visual indicator to show soap level

Reference (specify): 140601

Available colours/finishes





Order Code	Size (A)
140601	

PLEASE NOTE: Every effort has been made to ensure as much accuracy as possible. However, due to print restrictions exact colour match is not always possible. Featured products may also be changed from time to time, but are correct at time of publication.

* Terms and Conditions apply - www.nymas.co.uk/warranties