

Premium rimless close coupled Doc M toilet pack



Product details

Warranty:	See individual products
Max rated load:	See individual products
Doc M compliant:	Yes
Suitable for wet areas:	Yes

Features

- Complies with Part M of the Building Regulations
- Inlet valve and syphon Reg 4 Certified (WRAS, NSF, Kiwa, etc.)
- Premium rimless pan
- Lockable cistern lid
- Concealed fixing stainless steel grab rails
- Concealed fixing stainless steel hinged rail
- Simple one box solution
- Optional TMV3 Valve

Finish options



WH

White
RAL 9016



DB

Dark blue
RAL 5011



DG

Dark grey
RAL 7016



GY

Grey
RAL 7005



SS

Satin
Stainless Steel



SP

Polished
Stainless Steel

Product description

Product code

Premium rimless left-handed close couple Doc M toilet pack, stainless, concealed fixings	NY02-DM-13001/**
Premium rimless right-handed close couple Doc M toilet pack, stainless, concealed fixings	NY02-DM-13002/**
Premium rimless left-handed close couple Doc M toilet pack, stainless, concealed fixings, TMV3 valve	NY02-DM-13101/**
Premium rimless right-handed close couple Doc M toilet pack, stainless, concealed fixings, TMV3 valve	NY02-DM-13102/**
Premium rimless left-handed close couple Doc M toilet pack, stainless, concealed fixings, TMV3 tap	NY02-DM-13201/**
Premium rimless right-handed close couple Doc M toilet pack, stainless, concealed fixings, TMV3 tap	NY02-DM-13202/**

Replace ** with finish option code above e.g., NY02-DM-13001/DB

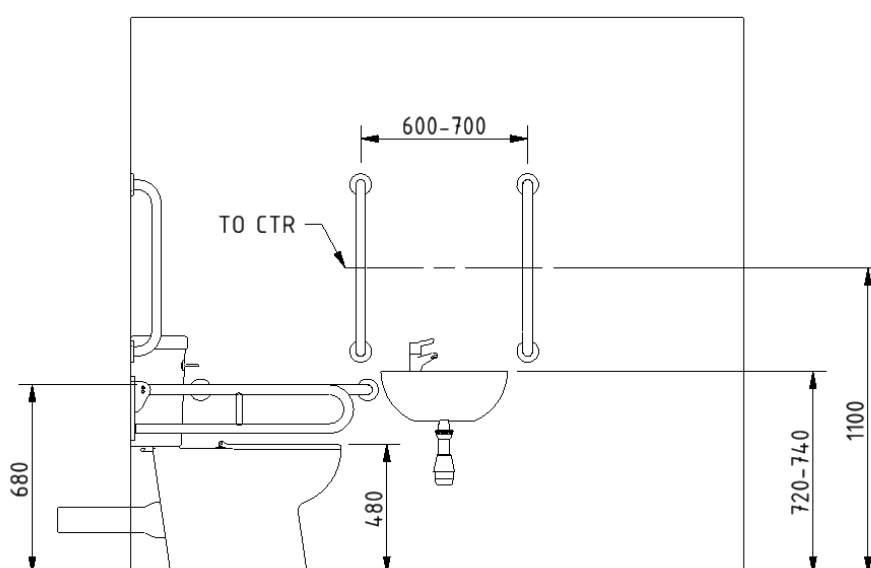
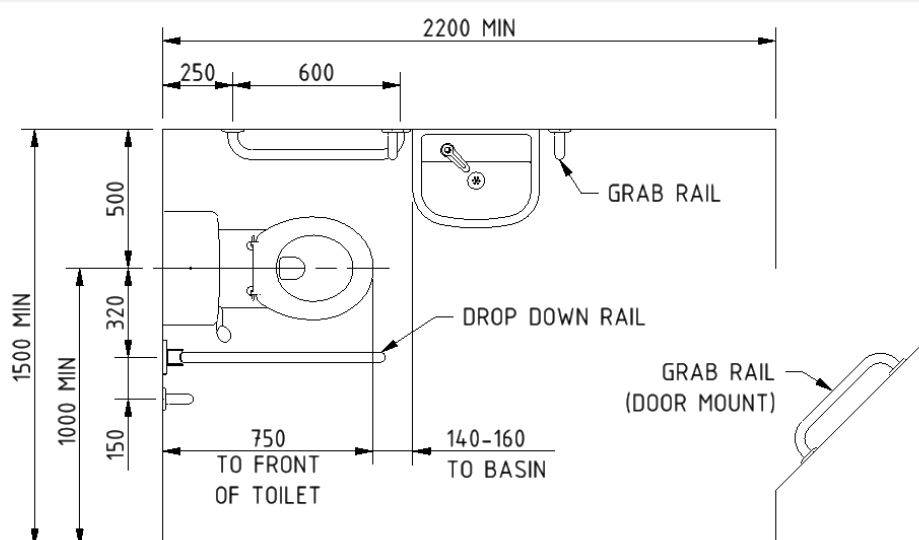
Disclaimer

NYMAS Group makes every effort to ensure that the information provided on this data sheet is correct. However, we cannot guarantee this, and accept no liability for any information or advice given on this data sheet.

Pack contents

- 4 x 600mm stainless steel grab rails with concealed fixings
- 1 x 450mm stainless steel grab rail with concealed fixings
- 1 x 800mm stainless steel hinged support rail with concealed fixings
- 1 x Close coupled premium rimless Doc M pan
- 1 x Close coupled cistern with lockable lid
- 1 x Close coupled cistern fitting pack with basin waste and Doc M spatula lever
- 1 x Ring only toilet seat
- 1 x One tap hole basin (either left or right hand)
- 1 x Sequential basin mixer tap (optional thermostatic mixer tap - NY02-DM-1320x-** only)
- 1 x TMV3 Valve (NY02-DM-1310x-** only)

Dimensions (mm)



Left-handed room layout shown

Premium rimless close coupled Doc M pan



Product details

Warranty:	Lifetime
Max rated load:	400 kg
Doc M compliant:	Yes
Suitable for wet areas:	Yes

Features

- Rimless design for ease of cleaning
- Extended projection to aid compliance with Part M of the Building Regulations
- UKCA and CE compliant
- Comfort height to allow easier side transfer from wheelchair

Finish options

WH

White
RAL 9016

Product description

Premium rimless close coupled Doc M pan

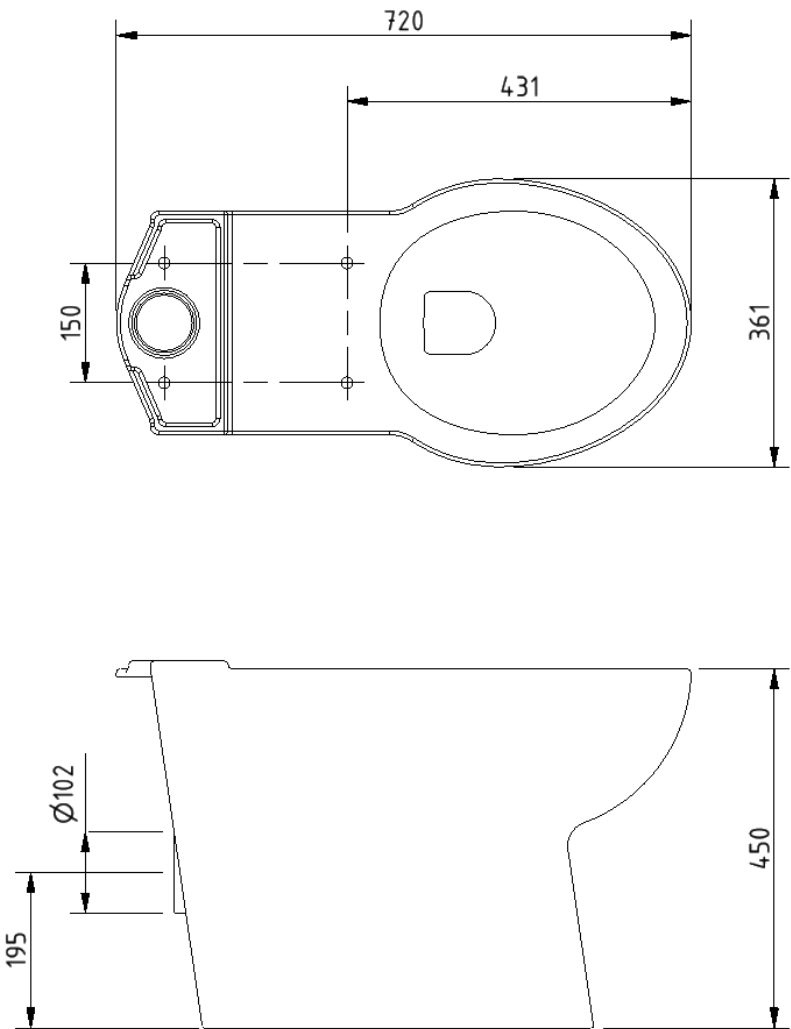
Product code

NY02-SW-13000-WH

Disclaimer

NYMAS Group makes every effort to ensure that the information provided on this data sheet is correct. However, we cannot guarantee this, and accept no liability for any information or advice given on this data sheet.

Dimensions (mm)



Close coupled cistern with lockable lid for premium rimless Doc M pan



Product details

Warranty:	Lifetime
Max rated load:	n/a
Doc M compliant:	Yes
Suitable for wet areas:	Yes

Features

- Complies with Part M of the Building Regulations
- UKCA & CE compliant
- Suitable for front lever
- Bottom inlet
- Universal - either left or right handed
- Lockable lid

Finish options

WH

White
RAL 9016

Product description

Close coupled cistern with lockable lid for premium rimless Doc M pan

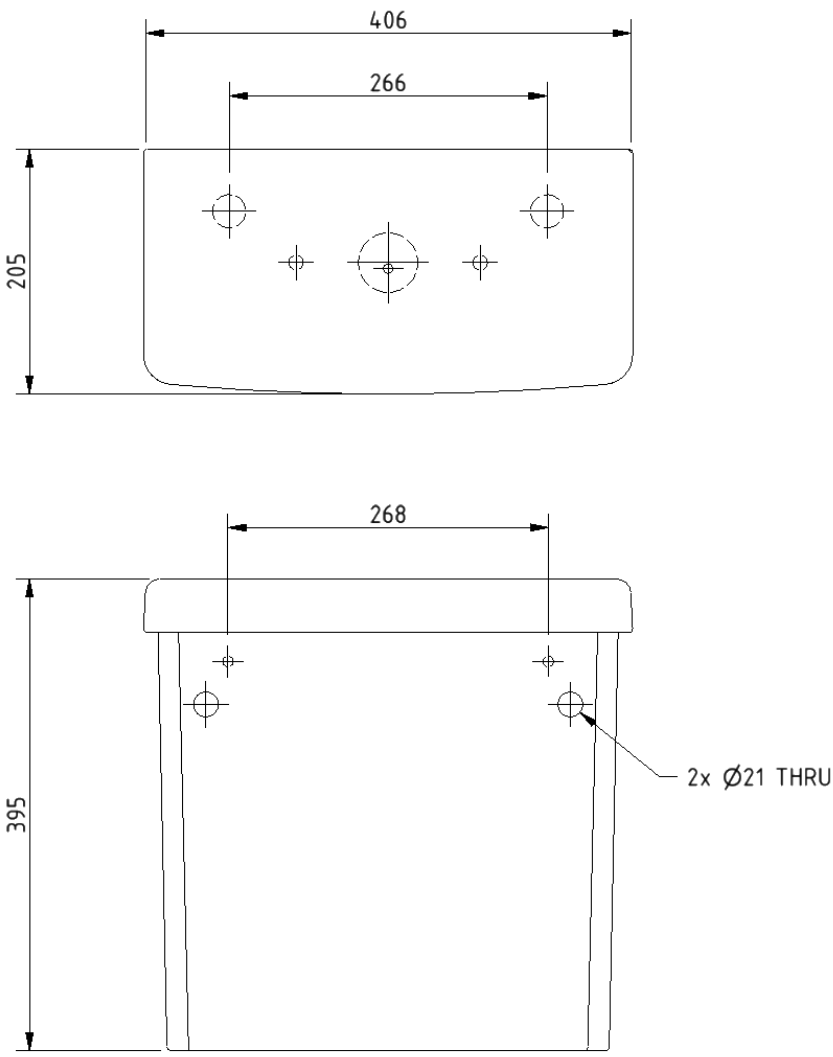
Product code

NY02-SW-21090-WH

Disclaimer

NYMAS Group makes every effort to ensure that the information provided on this data sheet is correct. However, we cannot guarantee this, and accept no liability for any information or advice given on this data sheet.

Dimensions (mm)



Toilet seat, ring only, stainless steel pillar hinge



Product details

Warranty:	2 years
Max rated load:	150 kg
Doc M compliant:	Yes
Suitable for wet areas:	Yes

Features

- Complies with Part M of the Building Regulations
- Anti-bacterial, strong and durable Duroplast seat
- Ergonomic and comfortable shape
- Stainless steel hinge (bottom fix as standard)
Additional hinge pack to convert to top fix: NY-TOPFIXHINGE
- Adjustable locating buffers
- Fits close coupled, low level, back to wall and wall hung pans

Finish options



White
RAL 9016



Dark blue
RAL 5011



Dark grey
RAL 7016



Grey
RAL 7005

Product description

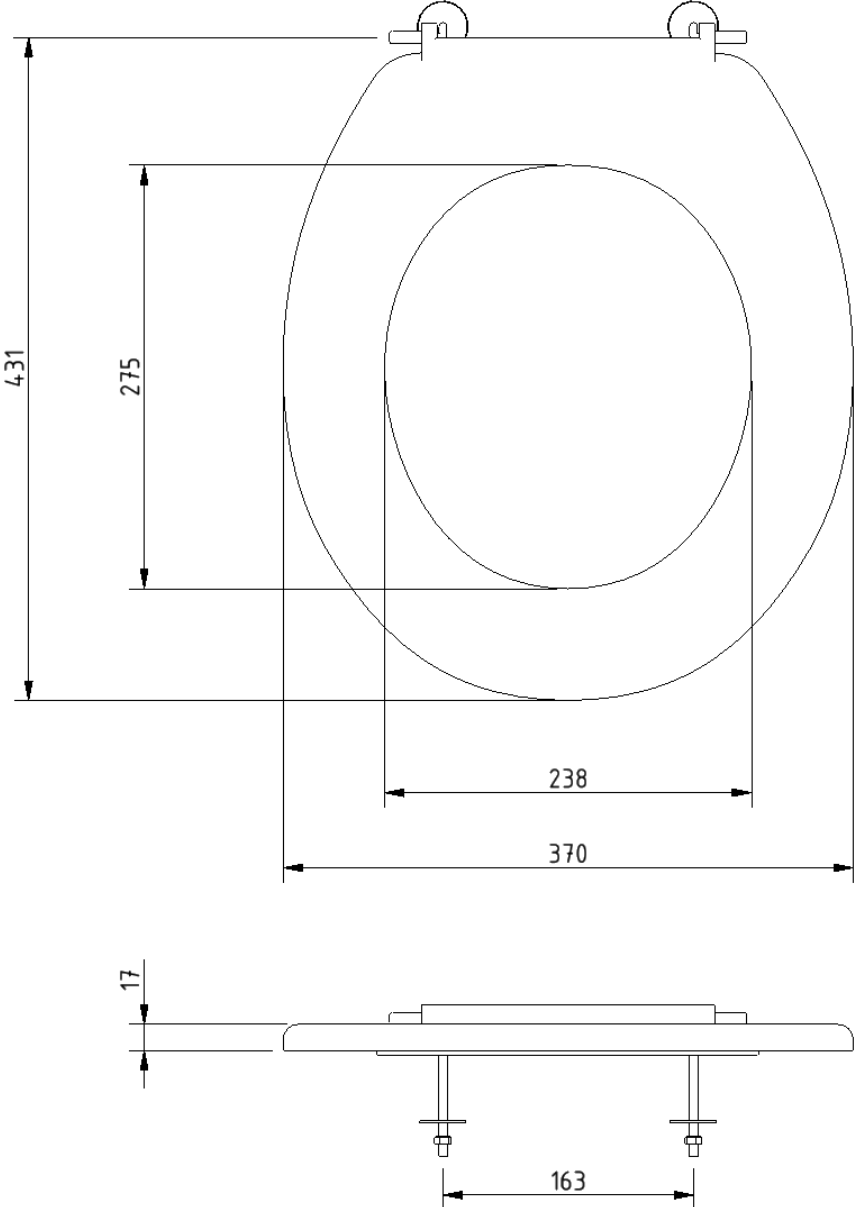
Product code

Toilet seat, ring only, stainless steel pillar hinge, dark blue (RAL 5011)	260015/DB
Toilet seat, ring only, stainless steel pillar hinge, dark grey (RAL 7016)	260015/DG
Toilet seat, ring only, stainless steel pillar hinge, grey (RAL 7005)	260015/GY
Toilet seat, ring only, stainless steel pillar hinge, white (RAL 9016)	260015/WH

Disclaimer

NYMAS Group makes every effort to ensure that the information provided on this data sheet is correct. However, we cannot guarantee this, and accept no liability for any information or advice given on this data sheet.

Dimensions (mm)



Top fix toilet seat hinge



Product details

Warranty: 2 years

Max rated load: n/a

Doc M compliant: n/a

Suitable for wet areas: Yes

Features

- Toilet seat hinge for use with premium rimless sanitary ware

Finish options

Not applicable

Product description

Top fix toilet seat hinge

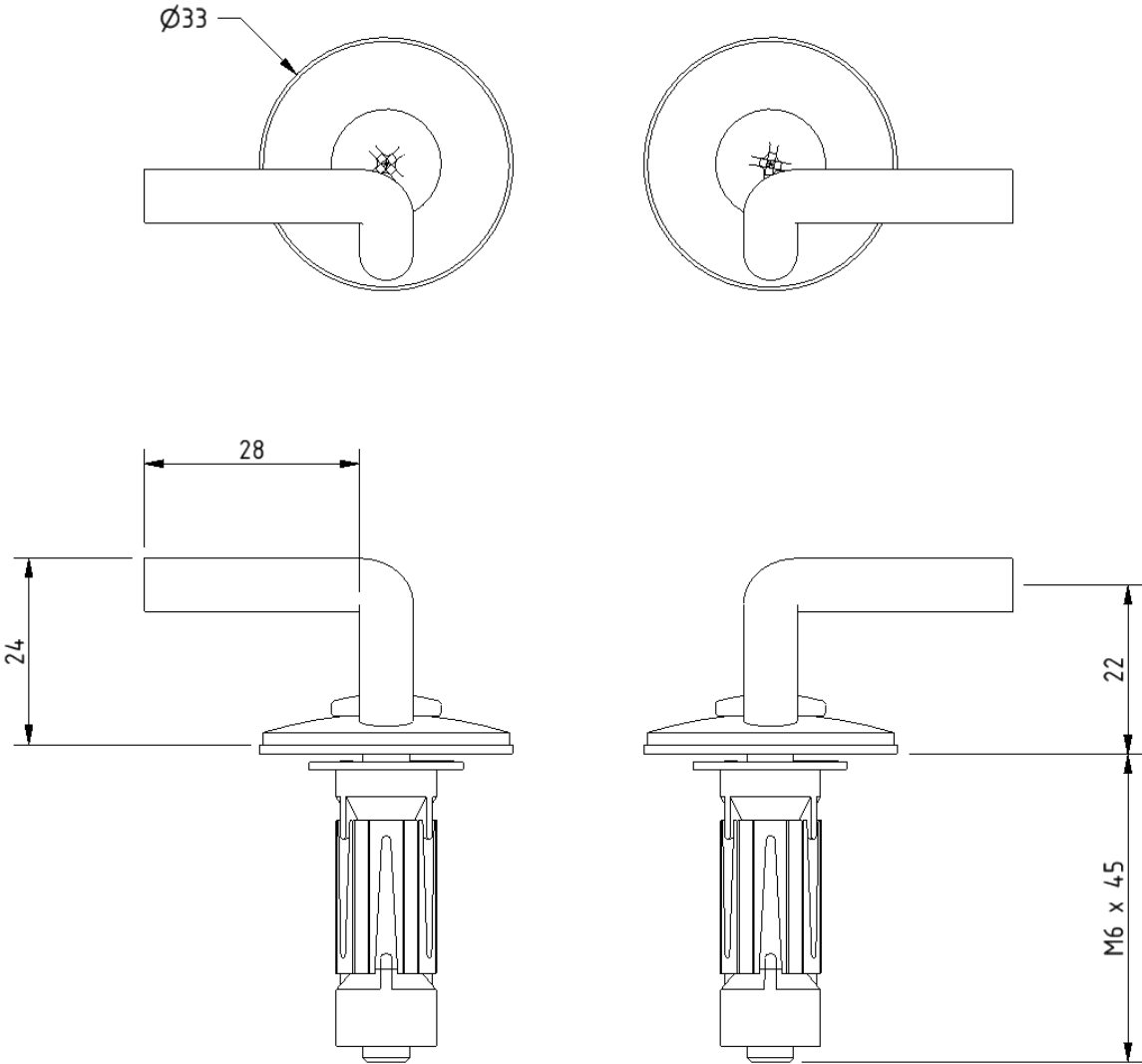
Product code

NY-TOPFIXHINGE

Disclaimer

NYMAS Group makes every effort to ensure that the information provided on this data sheet is correct. However, we cannot guarantee this, and accept no liability for any information or advice given on this data sheet.

Dimensions (mm)



Premium Doc M basin



Product details

Warranty:	Lifetime
Max rated load:	n/a
Doc M compliant:	Yes
Suitable for wet areas:	Yes

Features

- Multiple tap hole configurations available removing the need for blanking caps
- Complies with Part M of the Building Regulations
- No overflow

Does NOT come with wall fixings (P-000247-X00X)

Finish options

WH

White
RAL 9016

Product description

- Premium Doc M basin, two tap holes, no overflow, white
- Premium Doc M basin, left handed tap hole, no overflow, white
- Premium Doc M basin, right handed tap hole, no overflow, white
- Premium Doc M basin, central tap hole, no overflow, white

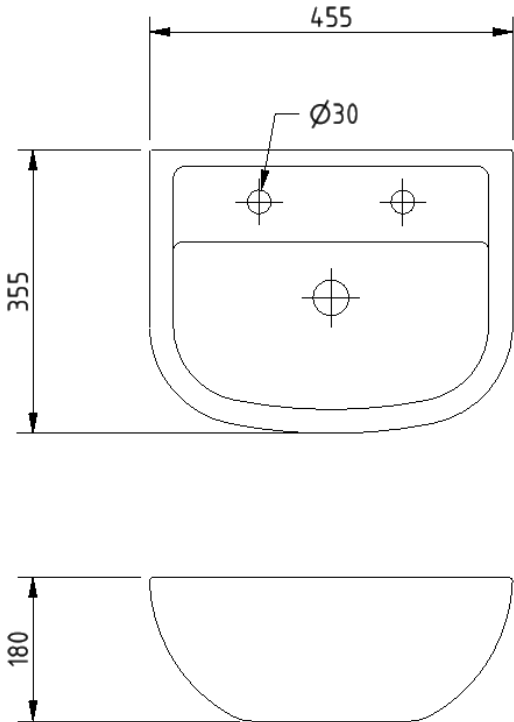
Product code

- NY02-SW-00100-WH
- NY02-SW-00101-WH
- NY02-SW-00102-WH
- NY02-SW-00103-WH

Disclaimer

NYMAS Group makes every effort to ensure that the information provided on this data sheet is correct. However, we cannot guarantee this, and accept no liability for any information or advice given on this data sheet.

Dimensions (mm)



FOR TAP HOLE POSITION DIMENSIONS SEE PRODUCT SPECIFIC MARKETING DRAWING

Polished chrome sequential basin mixer tap



Product details

Warranty:	2 years
Max rated load:	n/a
Doc M compliant:	Yes
Suitable for wet areas:	Yes
Flexi tap tail connection (to tap body):	M10 Thread
Flexi tap tail (onward connection):	3/4 Inch Diameter Thread

Features

- Reg 4 Certified (WRAS, NSF, Kiwa, etc.)
- Easy operation for users with limited dexterity
- Cold start

Finish options



Polished chrome

Product description

Sequential basin mixer tap, polished chrome

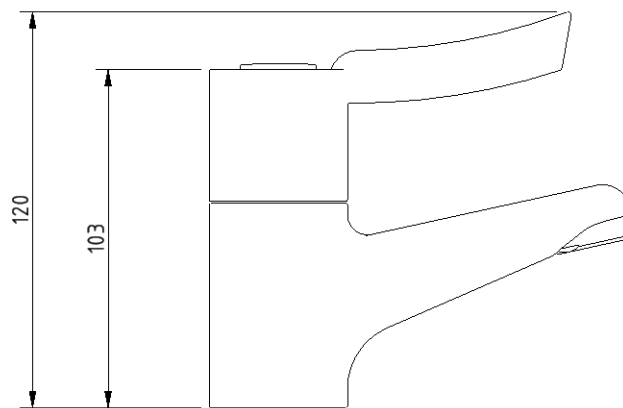
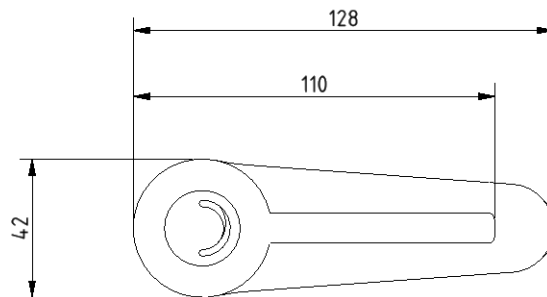
Product code

BPLMON

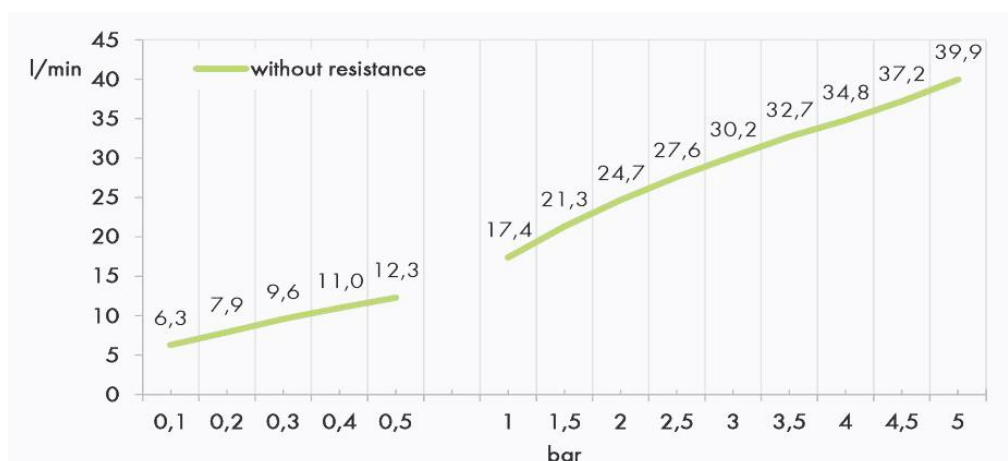
Disclaimer

NYMAS Group makes every effort to ensure that the information provided on this data sheet is correct. However, we cannot guarantee this, and accept no liability for any information or advice given on this data sheet.

Dimensions (mm)



Flow Rate Curve



Procedure:
Flow Determination

Pressure:
3,0 Bar

Cold:
18,9 l/min

Hot:
19 l/min

To 38 deg C:
26 l/min

Flange for BPLMON mixer tap



Product details

Warranty:	2 years
Max rated load:	n/a
Doc M compliant:	No
Suitable for wet areas:	Yes

Features

- Increased diameter allows BPLMON to fit basins with large tap hole

Finish options



Polished
chrome

Product description

Flange for BPLMON mixer tap, polished chrome

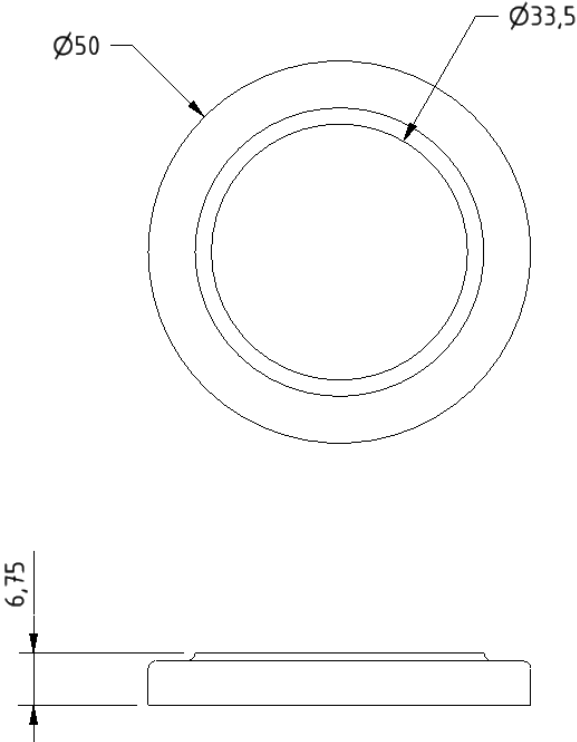
Product code

P-000246-X00X

Disclaimer

NYMAS Group makes every effort to ensure that the information provided on this data sheet is correct. However, we cannot guarantee this, and accept no liability for any information or advice given on this data sheet.

Dimensions (mm)



Basin waste with stainless steel grid, no plug



Product details

Warranty: 2years

Max rated load: n/a

Doc M compliant: n/a

Suitable for wet areas: Yes

Features

- Quick and simple installation
- Manufactured from high quality materials
- Stainless steel grid
- Plastic Body

Finish options

Not applicable

Product description

Basin waste with stainless steel grid, no plug

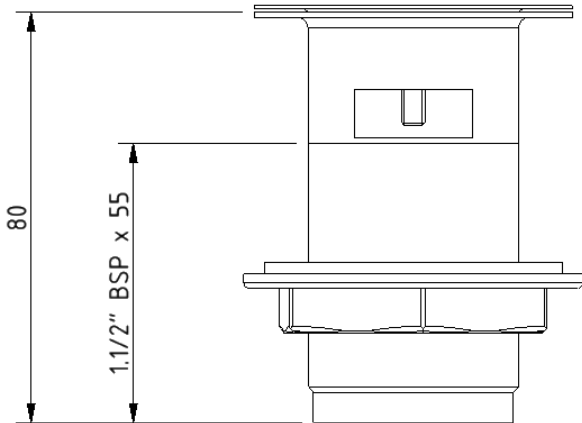
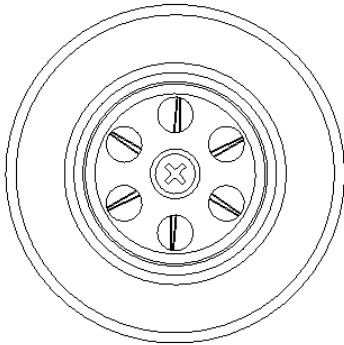
Product code

P-000241-X00X

Disclaimer

NYMAS Group makes every effort to ensure that the information provided on this data sheet is correct. However, we cannot guarantee this, and accept no liability for any information or advice given on this data sheet.

Dimensions (mm)



Stainless steel grab rail with concealed fixings, 35mm diameter tube



Product details

Warranty:	5 years
Max rated load:	185 kg
Doc M compliant:	Yes
Suitable for wet areas:	Yes

Features

- Non-corrosive stainless steel construction
- Durable powder coated finish
- Concealed fixing
- Non-standard colour options available

Finish options



White
RAL 9016



Dark blue
RAL 5011



Dark grey
RAL 7016



Grey
RAL 7005

Product description

Grab rail, stainless steel, concealed fixings, 35mm diameter, 300mm
Grab rail, stainless steel, concealed fixings, 35mm diameter, 450mm
Grab rail, stainless steel, concealed fixings, 35mm diameter, 600mm
Grab rail, stainless steel, concealed fixings, 35mm diameter, 900mm

Product code

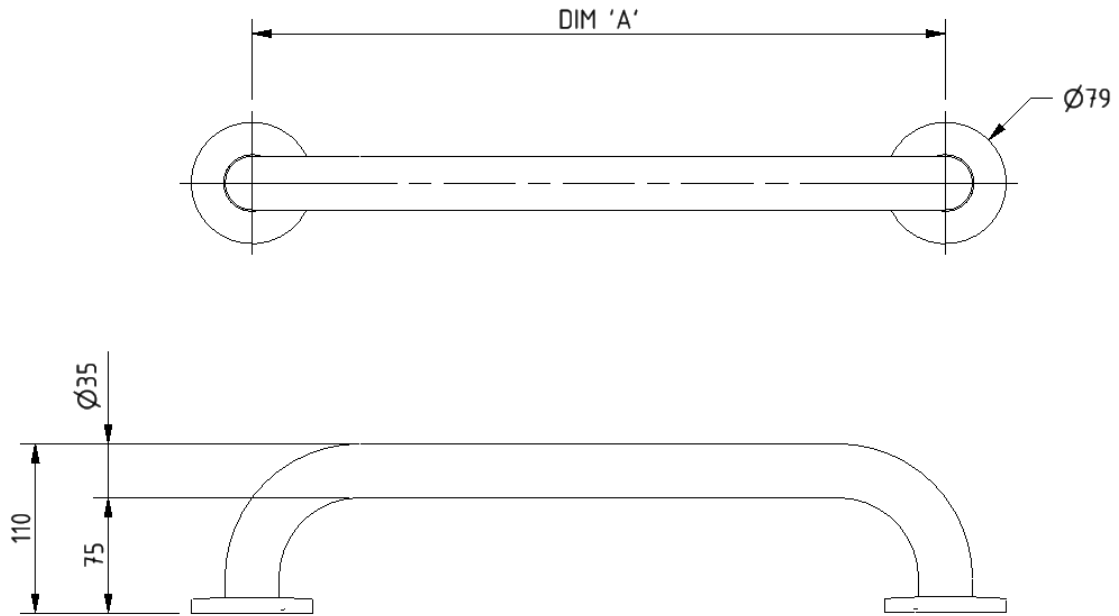
210130/**
210145/**
210160/**
210190/**

Replace ** with finish option code above e.g., 210160/DB

Disclaimer

NYMAS Group makes every effort to ensure that the information provided on this data sheet is correct. However, we cannot guarantee this, and accept no liability for any information or advice given on this data sheet.

Dimensions (mm)



PRODUCT CODE	210130/**	210145/**	210160/**	210190/**
DIM 'A'	300	450	600	900

Stainless steel friction hinged support rail with concealed fixing, 800mm



Product details

Warranty:	5 years
Max rated load:	120 kg
Doc M compliant:	Yes
Suitable for wet areas:	Yes

Features

- Complies with Part M of the Building Regulations
- Premium friction folding mechanism
- Non-corrosive stainless steel construction
- Concealed wall fixings

Finish options



Product description

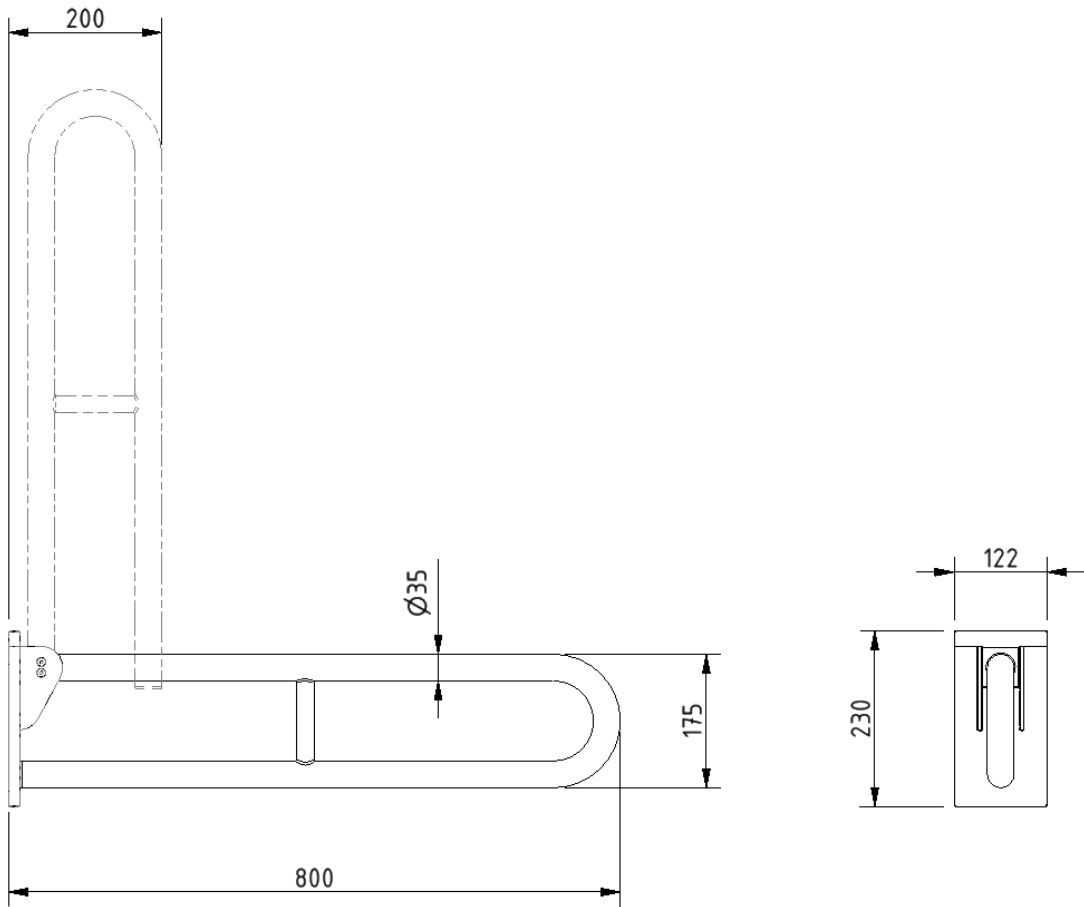
Product code

Friction hinged rail, stainless steel, concealed fixing, 800mm, white (RAL 9016)	105SC/WH
Friction hinged rail, stainless steel, concealed fixing, 800mm, dark blue (RAL 5011)	105SC/DB
Friction hinged rail, stainless steel, concealed fixing, 800mm, dark grey (RAL 7016)	105SC/DG
Friction hinged rail, stainless steel, concealed fixing, 800mm, grey (RAL 7005)	105SC/GY
Friction hinged rail, stainless steel, concealed fixing, 800mm, polished	105SC/SP
Friction hinged rail, stainless steel, concealed fixing, 800mm, satin	105SC/SS

Disclaimer

NYMAS Group makes every effort to ensure that the information provided on this data sheet is correct. However, we cannot guarantee this, and accept no liability for any information or advice given on this data sheet.

Dimensions (mm)



TMV3 inline thermostatic mixing valve



Product details

Warranty:	2 years
Max rated load:	n/a
Doc M compliant:	Yes
Suitable for wet areas:	Yes

Features

- TMV3 approved & Reg 4 Certified (WRAS, NSF, Kiwa, etc.)
- Complies with Part M of the Building Regulations
- Building Regulations Part G compliant
- Highly resistant to scaling
- Anti-tamper proof head

Finish options



CP

Polished
chrome

Product description

TMV3 inline thermostatic mixing valve - 15mm

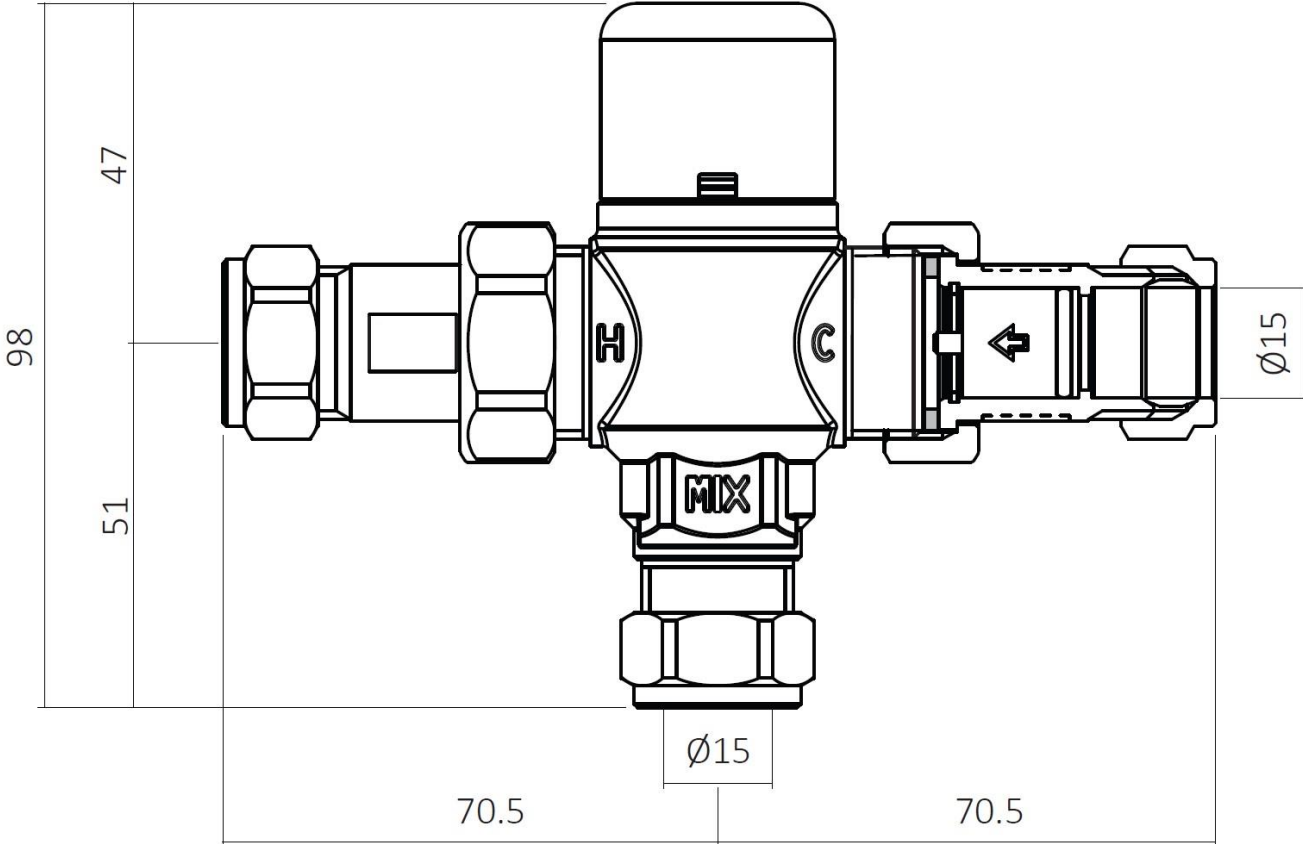
Product code

BPLTMV

Disclaimer

NYMAS Group makes every effort to ensure that the information provided on this data sheet is correct. However, we cannot guarantee this, and accept no liability for any information or advice given on this data sheet.

Dimensions (mm)



TMV3 thermostatic mixer tap



Product details

Warranty:	5 years
Max rated load:	n/a
Doc M compliant:	Yes
Suitable for wet areas:	Yes
Max Inlet Temp:	85°C
Factory Set Temp:	43°C
Max Operating Pressure:	10 BAR Static
Min Inlet Pressure:	0.2 BAR Dynamic

Features

- Reg 4 Certified (WRAS, NSF, Kiwa, etc.)
- Safe touch body
- Copper inlet tails
- Self-draining spout
- Complies with Part M of the Building Regulations
- Easy operation for users with limited dexterity

Finish options



Polished
chrome

Product description

TMV3 thermostatic mixer tap, polished chrome

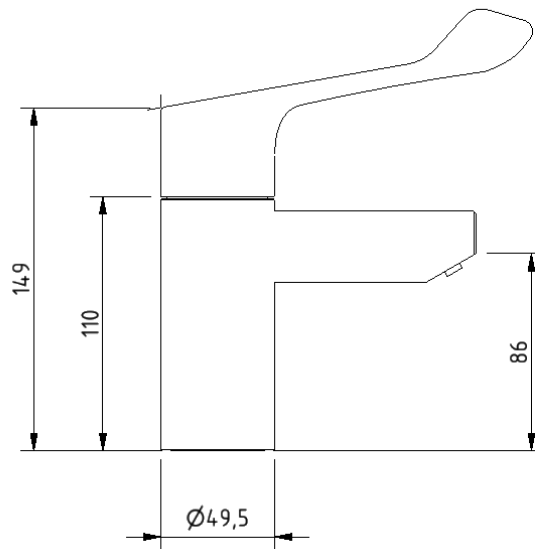
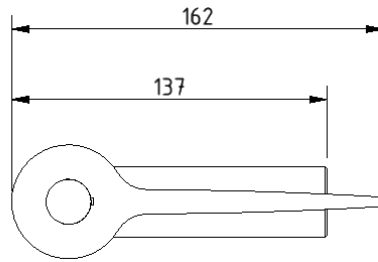
Product code

TAPTMV/CP

Disclaimer

NYMAS Group makes every effort to ensure that the information provided on this data sheet is correct. However, we cannot guarantee this, and accept no liability for any information or advice given on this data sheet.

Dimensions (mm)



FLOW RATE FOR TAPT MV

