

Premium rimless back to wall Doc M toilet pack



Product details

Warranty:	See individual products
Max rated load:	See individual products
Doc M compliant:	Yes
Suitable for wet areas:	Yes

Features

- Complies with Part M of the Building Regulations
- Rimless design pan for ease of cleaning
- Inlet valve and syphon Reg 4 Certified (WRAS, NSF, Kiwa, etc.)
- Concealed fixing stainless steel grab rails
- Optional TMV3 valve or TMV3 tap
- Universal - suitable for left or right handed transfer
- Simple one box solution

Finish options



WH

White
RAL 9016



DB

Dark blue
RAL 5011



DG

Dark grey
RAL 7016



GY

Grey
RAL 7005



SS

Satin
Stainless Steel



SP

Polished
Stainless Steel

Product description

Product code

Premium rimless left handed back to wall Doc M toilet pack, SS, concealed fixings	NY02-DM-33001/**
Premium rimless right handed back to wall Doc M toilet pack, SS, concealed fixings	NY02-DM-33002/**
Premium rimless left handed back to wall Doc M toilet pack, SS, concealed fixings, TMV3 valve	NY02-DM-33101/**
Premium rimless right handed back to wall Doc M toilet pack, SS, concealed fixings, TMV3 valve	NY02-DM-33102/**
Premium rimless left handed back to wall Doc M toilet pack, SS, concealed fixings, TMV3 tap	NY02-DM-33201/**
Premium rimless right handed back to wall Doc M toilet pack, SS, concealed fixings, TMV3 tap	NY02-DM-33202/**

Replace ** with finish option code above e.g., NY02-DM-33001/DB

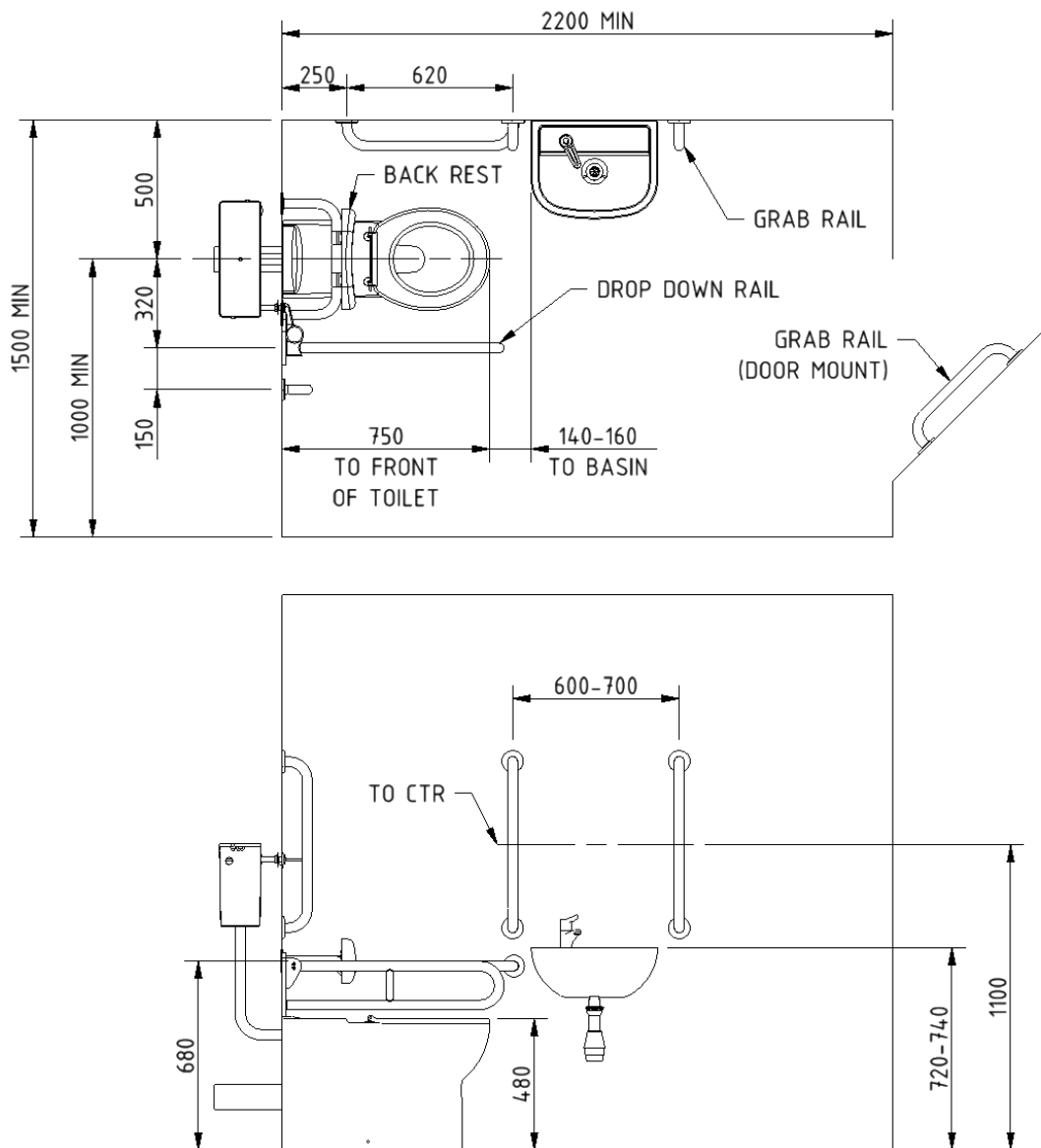
Disclaimer

NYMAS Group makes every effort to ensure that the information provided on this data sheet is correct. However, we cannot guarantee this, and accept no liability for any information or advice given on this data sheet.

Pack contents

- 4 x 600mm stainless steel grab rails with concealed fixings
- 1 x 450mm stainless steel grab rail with concealed fixings
- 1 x 800mm stainless steel hinged support rail
- 1 x 270mm stainless steel back rest rail and pad with concealed fixing
- 1 x Back to wall premium rimless Doc M pan
- 1 x Concealed cistern with fittings, flush pipe, and Doc M concealed cistern spatula lever
- 1 x Ring only toilet seat
- 1 x Left or right handed 1 tap hole basin
- 1 x Sequential basin mixer tap (optional thermostatic mixer tap - NY02-DM-3320x-** only)
- 1 x Basin waste
- 1 x TMV3 valve (NY02-DM-3310x-** only)

Dimensions (mm)



Premium rimless back to wall Doc M pan



Product details

Warranty:	Lifetime
Max rated load:	400 kg
Doc M compliant:	Yes
Suitable for wet areas:	Yes

Features

- Rimless design for ease of cleaning
- Extended projection to aid compliance with Part M of the Building Regulations
- UKCA and CE compliant
- Comfort height to allow easier side transfer from wheelchair

Finish options



White
RAL 9016

Product description

Premium rimless back to wall Doc M pan

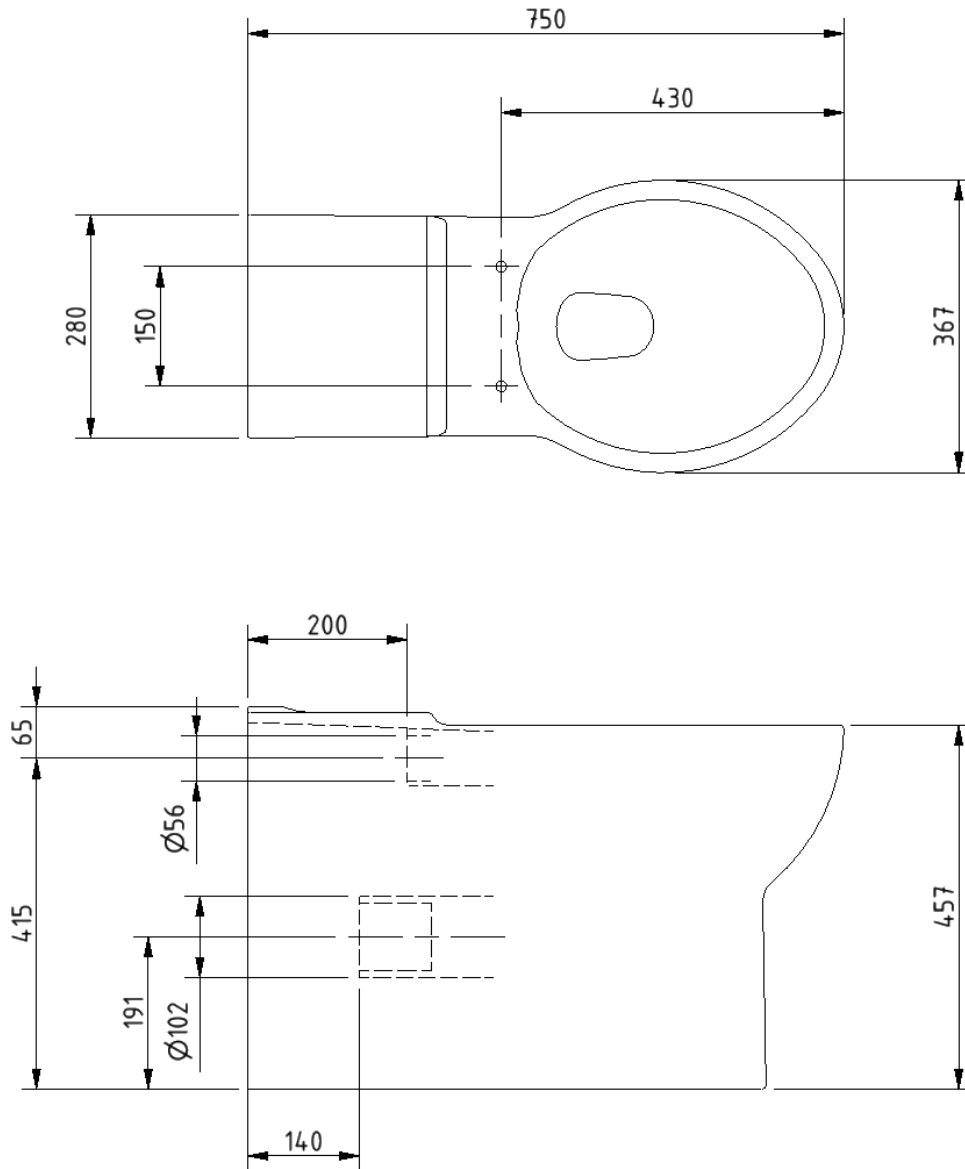
Product code

NY02-SW-33000-WH

Disclaimer

NYMAS Group makes every effort to ensure that the information provided on this data sheet is correct. However, we cannot guarantee this, and accept no liability for any information or advice given on this data sheet.

Dimensions (mm)



Toilet seat, ring only, stainless steel pillar hinge



Product details

Warranty:	2 years
Max rated load:	150 kg
Doc M compliant:	Yes
Suitable for wet areas:	Yes

Features

- Complies with Part M of the Building Regulations
- Anti-bacterial, strong and durable Duroplast seat
- Ergonomic and comfortable shape
- Stainless steel hinge (bottom fix as standard)
Additional hinge pack to convert to top fix: NY-TOPFIXHINGE
- Adjustable locating buffers
- Fits close coupled, low level, back to wall and wall hung pans

Finish options



White
RAL 9016



Dark blue
RAL 5011



Dark grey
RAL 7016



Grey
RAL 7005

Product description

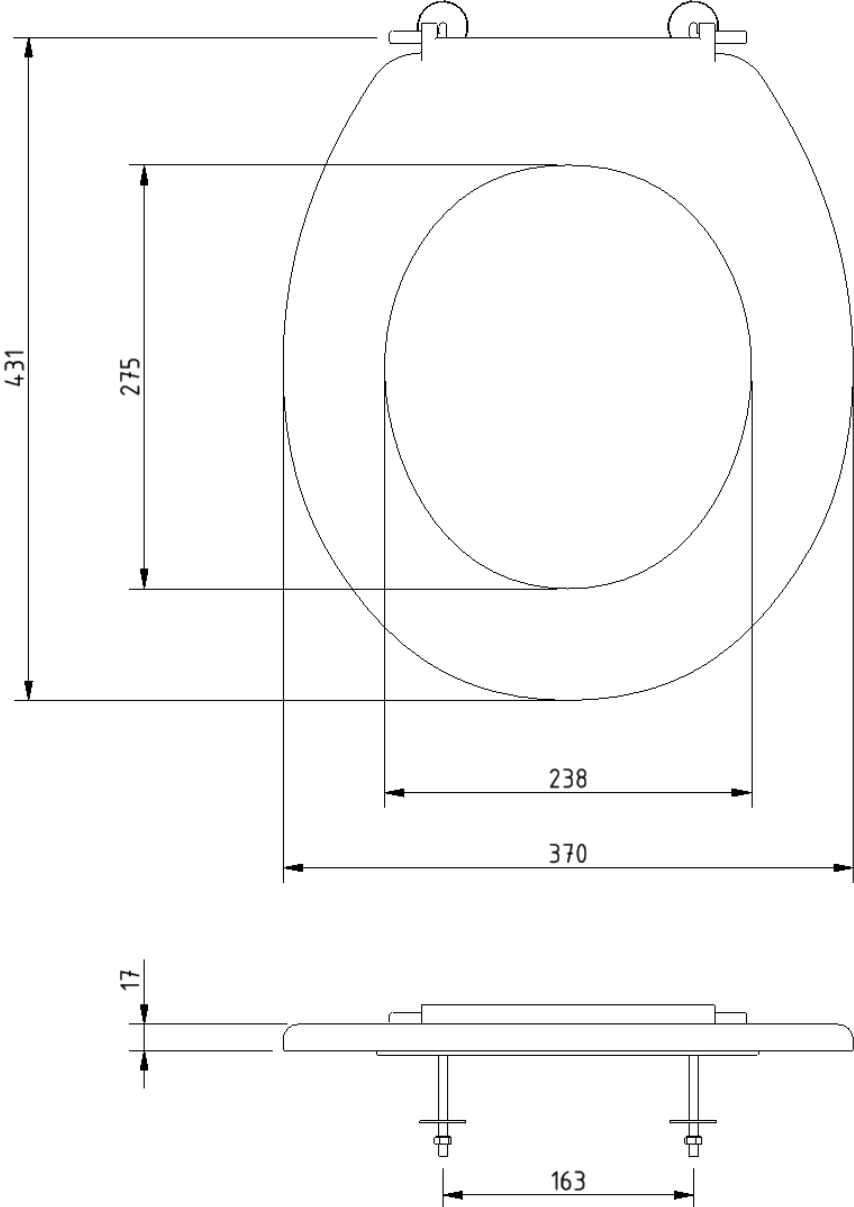
Product code

Toilet seat, ring only, stainless steel pillar hinge, dark blue (RAL 5011)	260015/DB
Toilet seat, ring only, stainless steel pillar hinge, dark grey (RAL 7016)	260015/DG
Toilet seat, ring only, stainless steel pillar hinge, grey (RAL 7005)	260015/GY
Toilet seat, ring only, stainless steel pillar hinge, white (RAL 9016)	260015/WH

Disclaimer

NYMAS Group makes every effort to ensure that the information provided on this data sheet is correct. However, we cannot guarantee this, and accept no liability for any information or advice given on this data sheet.

Dimensions (mm)



Concealed cistern and fittings



Product details

Warranty: 2 years

Max rated load: N/A

Doc M compliant: N/A

Suitable for wet areas: Yes

Features

- Syphon and inlet valve Reg 4 Certified (WRAS, NSF, Kiwa, etc.)
- Top access
- 6 litre flush
- Internal / external overflow warning
- High density polystyrene construction

Does not come with flush lever or flush pipe

Product description

Concealed cistern and fittings, no lever or flush pipe

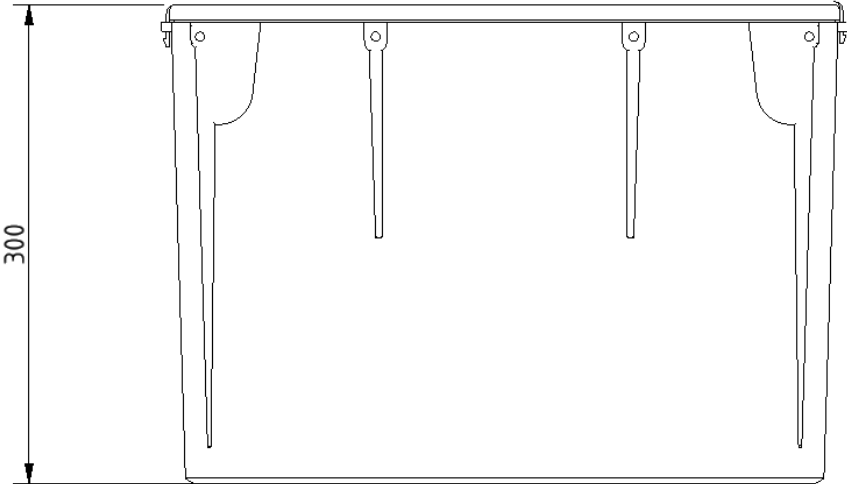
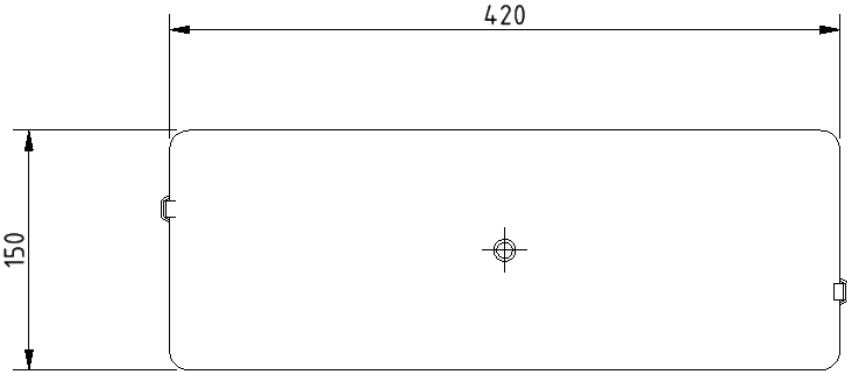
Product code

B-CISTHIDE

Disclaimer

NYMAS Group makes every effort to ensure that the information provided on this data sheet is correct. However, we cannot guarantee this, and accept no liability for any information or advice given on this data sheet.

Dimensions (mm)



Concealed cistern spatula lever



Product details

Warranty: 2 years

Max rated load: n/a

Doc M compliant: Yes

Suitable for wet areas: Yes

Features

- Complies with Part M of the Building Regulations
- Easy operation for users with limited dexterity
- For use with concealed cisterns

Finish options



Polished
chrome

Product description

Concealed cistern spatula lever, 215mm spindle, polished chrome

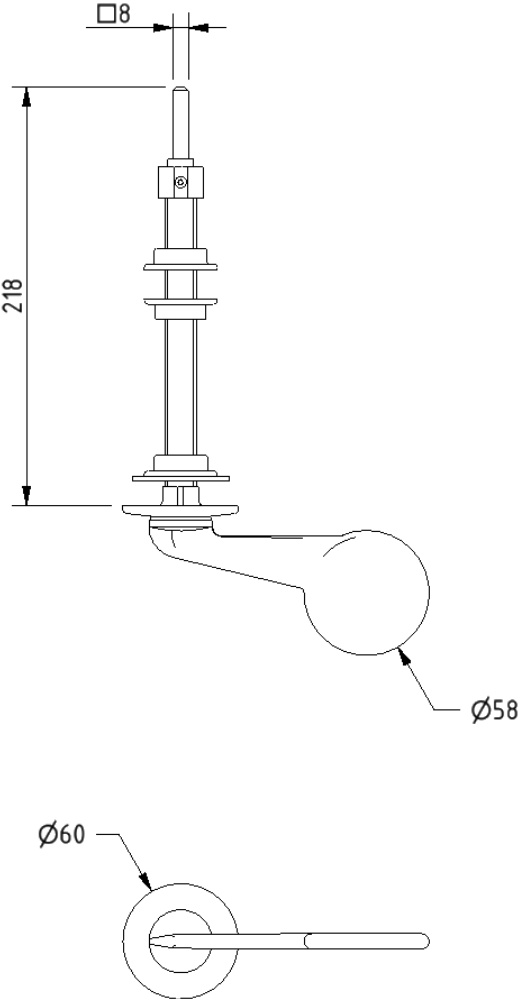
Product code

P-000243-X00X

Disclaimer

NYMAS Group makes every effort to ensure that the information provided on this data sheet is correct. However, we cannot guarantee this, and accept no liability for any information or advice given on this data sheet.

Dimensions (mm)



Premium Doc M basin



Product details

Warranty:	Lifetime
Max rated load:	n/a
Doc M compliant:	Yes
Suitable for wet areas:	Yes

Features

- Multiple tap hole configurations available removing the need for blanking caps
- Complies with Part M of the Building Regulations
- No overflow

Does NOT come with wall fixings (P-000247-X00X)

Finish options

WH

White
RAL 9016

Product description

- Premium Doc M basin, two tap holes, no overflow, white
- Premium Doc M basin, left handed tap hole, no overflow, white
- Premium Doc M basin, right handed tap hole, no overflow, white
- Premium Doc M basin, central tap hole, no overflow, white

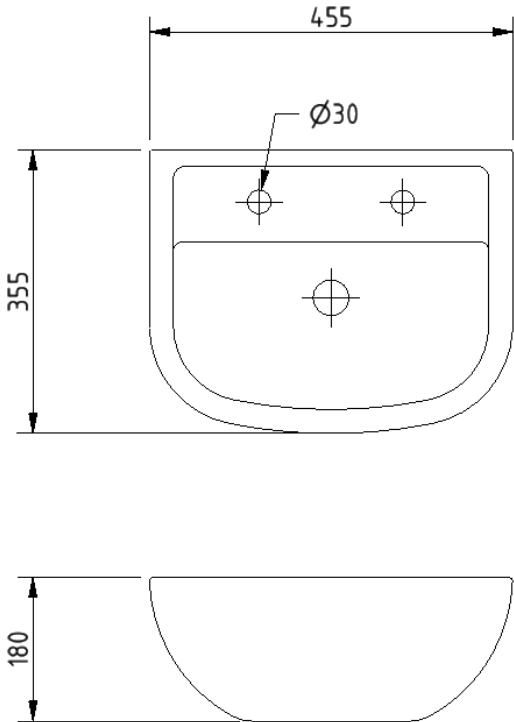
Product code

- NY02-SW-00100-WH
- NY02-SW-00101-WH
- NY02-SW-00102-WH
- NY02-SW-00103-WH

Disclaimer

NYMAS Group makes every effort to ensure that the information provided on this data sheet is correct. However, we cannot guarantee this, and accept no liability for any information or advice given on this data sheet.

Dimensions (mm)



FOR TAP HOLE POSITION DIMENSIONS SEE PRODUCT SPECIFIC MARKETING DRAWING

Polished chrome sequential basin mixer tap



Product details

Warranty:	2 years
Max rated load:	n/a
Doc M compliant:	Yes
Suitable for wet areas:	Yes
Flexi tap tail connection (to tap body):	M10 Thread
Flexi tap tail (onward connection):	3/4 Inch Diameter Thread

Features

- Reg 4 Certified (WRAS, NSF, Kiwa, etc.)
- Easy operation for users with limited dexterity
- Cold start

Finish options



Polished chrome

Product description

Sequential basin mixer tap, polished chrome

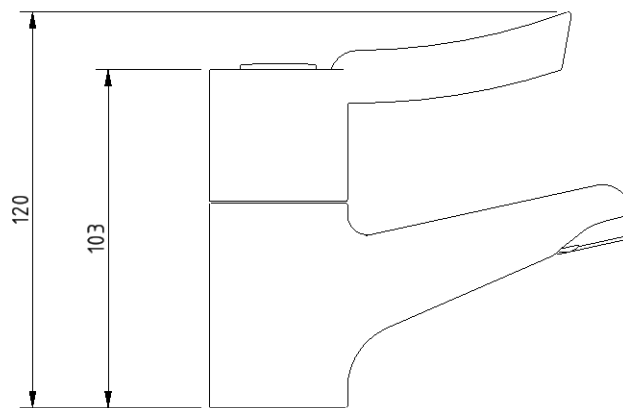
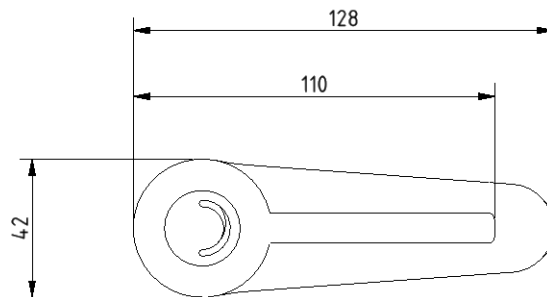
Product code

BPLMON

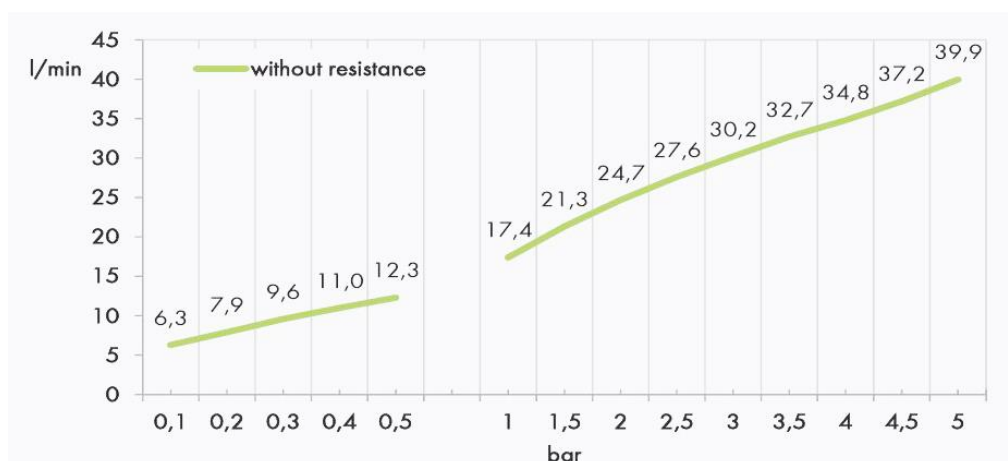
Disclaimer

NYMAS Group makes every effort to ensure that the information provided on this data sheet is correct. However, we cannot guarantee this, and accept no liability for any information or advice given on this data sheet.

Dimensions (mm)



Flow Rate Curve



Procedure:

Flow Determination

Pressure:

3,0 Bar

Cold:

18,9 l/min

Hot:

19 l/min

To 38 deg C:

26 l/min

TMV3 thermostatic mixer tap



Product details

Warranty:	5 years
Max rated load:	n/a
Doc M compliant:	Yes
Suitable for wet areas:	Yes
Max Inlet Temp:	85°C
Factory Set Temp:	43°C
Max Operating Pressure:	10 BAR Static
Min Inlet Pressure:	0.2 BAR Dynamic

Features

- Reg 4 Certified (WRAS, NSF, Kiwa, etc.)
- Safe touch body
- Copper inlet tails
- Self-draining spout
- Complies with Part M of the Building Regulations
- Easy operation for users with limited dexterity

Finish options



Polished
chrome

Product description

TMV3 thermostatic mixer tap, polished chrome

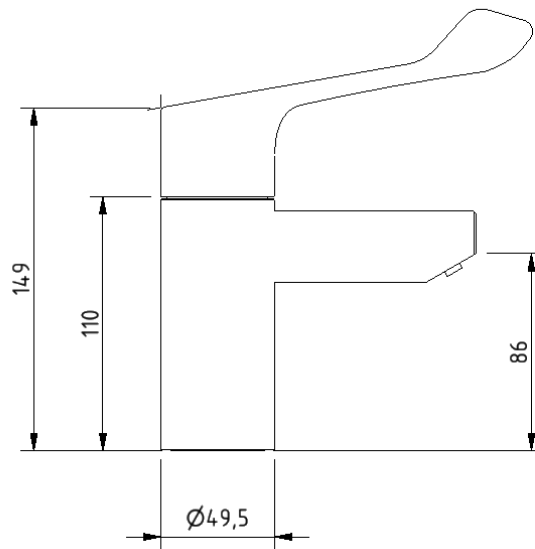
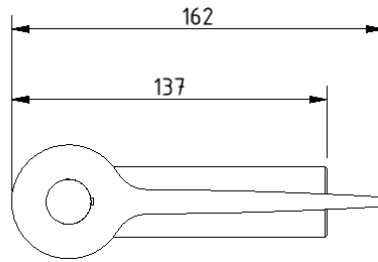
Product code

TAPTMV/CP

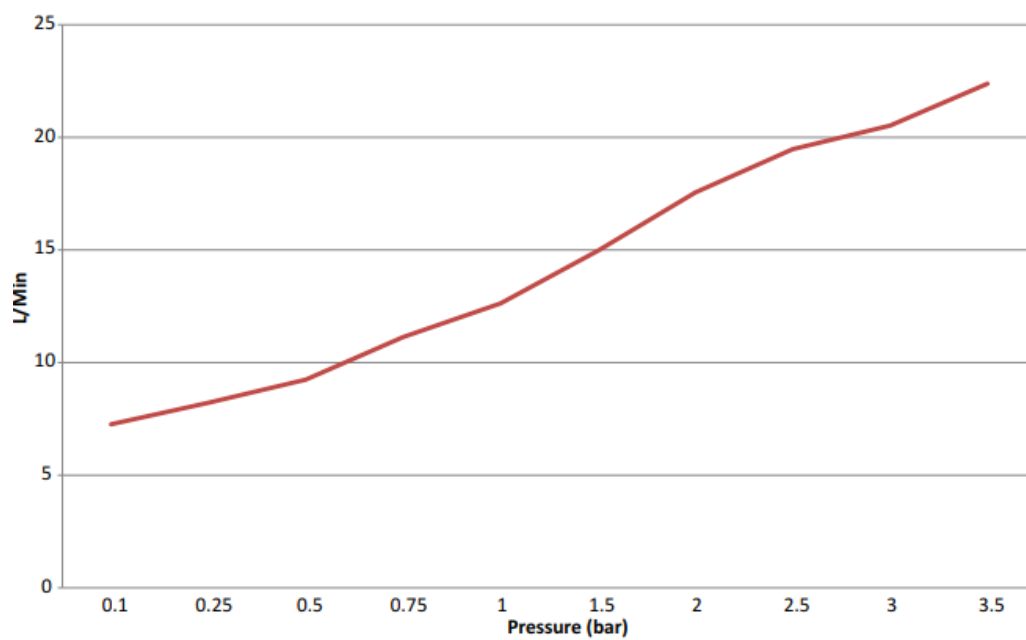
Disclaimer

NYMAS Group makes every effort to ensure that the information provided on this data sheet is correct. However, we cannot guarantee this, and accept no liability for any information or advice given on this data sheet.

Dimensions (mm)



FLOW RATE FOR TAPT MV



Basin waste with stainless steel grid, no plug



Product details

Warranty: 2years

Max rated load: n/a

Doc M compliant: n/a

Suitable for wet areas: Yes

Features

- Quick and simple installation
- Manufactured from high quality materials
- Stainless steel grid
- Plastic Body

Finish options

Not applicable

Product description

Basin waste with stainless steel grid, no plug

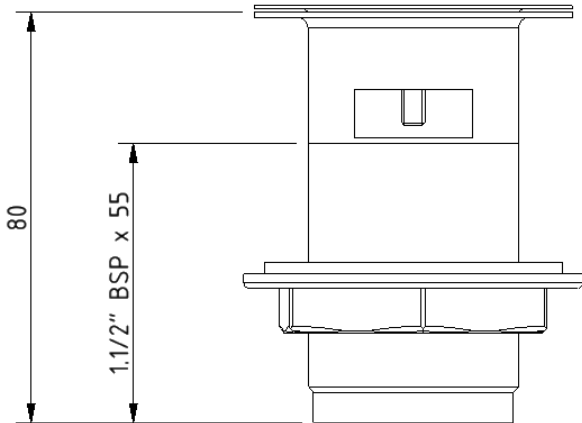
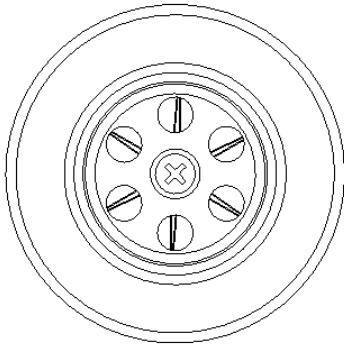
Product code

P-000241-X00X

Disclaimer

NYMAS Group makes every effort to ensure that the information provided on this data sheet is correct. However, we cannot guarantee this, and accept no liability for any information or advice given on this data sheet.

Dimensions (mm)



Stainless steel grab rail with concealed fixings, 35mm diameter tube



Product details

Warranty:	5 years
Max rated load:	185 kg
Doc M compliant:	Yes
Suitable for wet areas:	Yes

Features

- Non-corrosive stainless steel construction
- Durable powder coated finish
- Concealed fixing
- Non-standard colour options available

Finish options



White
RAL 9016



Dark blue
RAL 5011



Dark grey
RAL 7016



Grey
RAL 7005

Product description

Grab rail, stainless steel, concealed fixings, 35mm diameter, 300mm
Grab rail, stainless steel, concealed fixings, 35mm diameter, 450mm
Grab rail, stainless steel, concealed fixings, 35mm diameter, 600mm
Grab rail, stainless steel, concealed fixings, 35mm diameter, 900mm

Product code

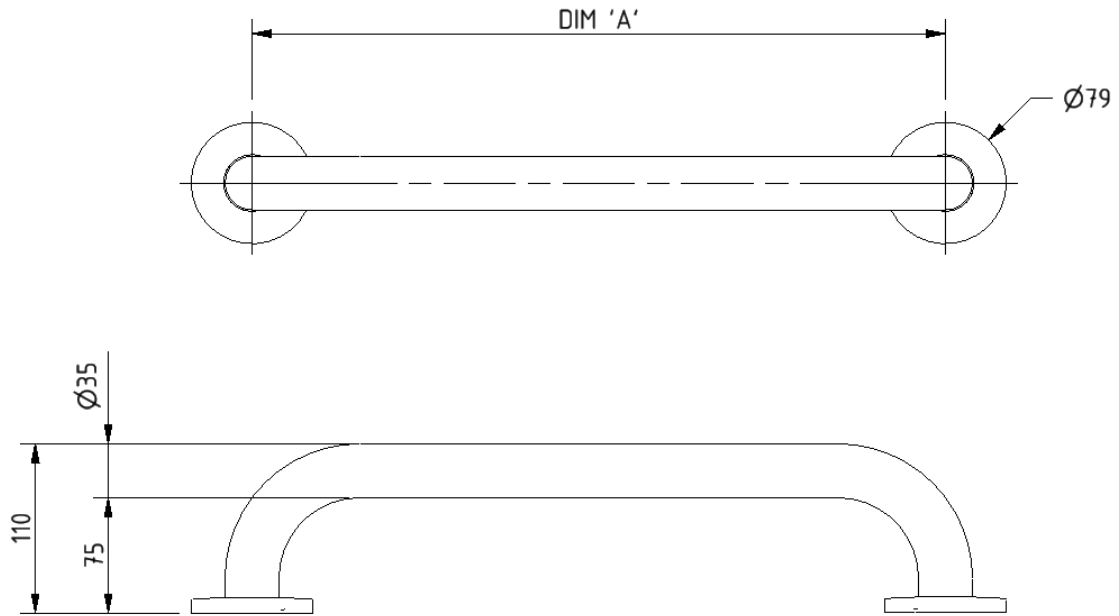
210130/**
210145/**
210160/**
210190/**

Replace ** with finish option code above e.g., 210160/DB

Disclaimer

NYMAS Group makes every effort to ensure that the information provided on this data sheet is correct. However, we cannot guarantee this, and accept no liability for any information or advice given on this data sheet.

Dimensions (mm)



PRODUCT CODE	210130/**	210145/**	210160/**	210190/**
DIM 'A'	300	450	600	900

Stainless steel friction hinged support rail with concealed fixing, 800mm



Product details

Warranty:	5 years
Max rated load:	120 kg
Doc M compliant:	Yes
Suitable for wet areas:	Yes

Features

- Complies with Part M of the Building Regulations
- Premium friction folding mechanism
- Non-corrosive stainless steel construction
- Concealed wall fixings

Finish options



Product description

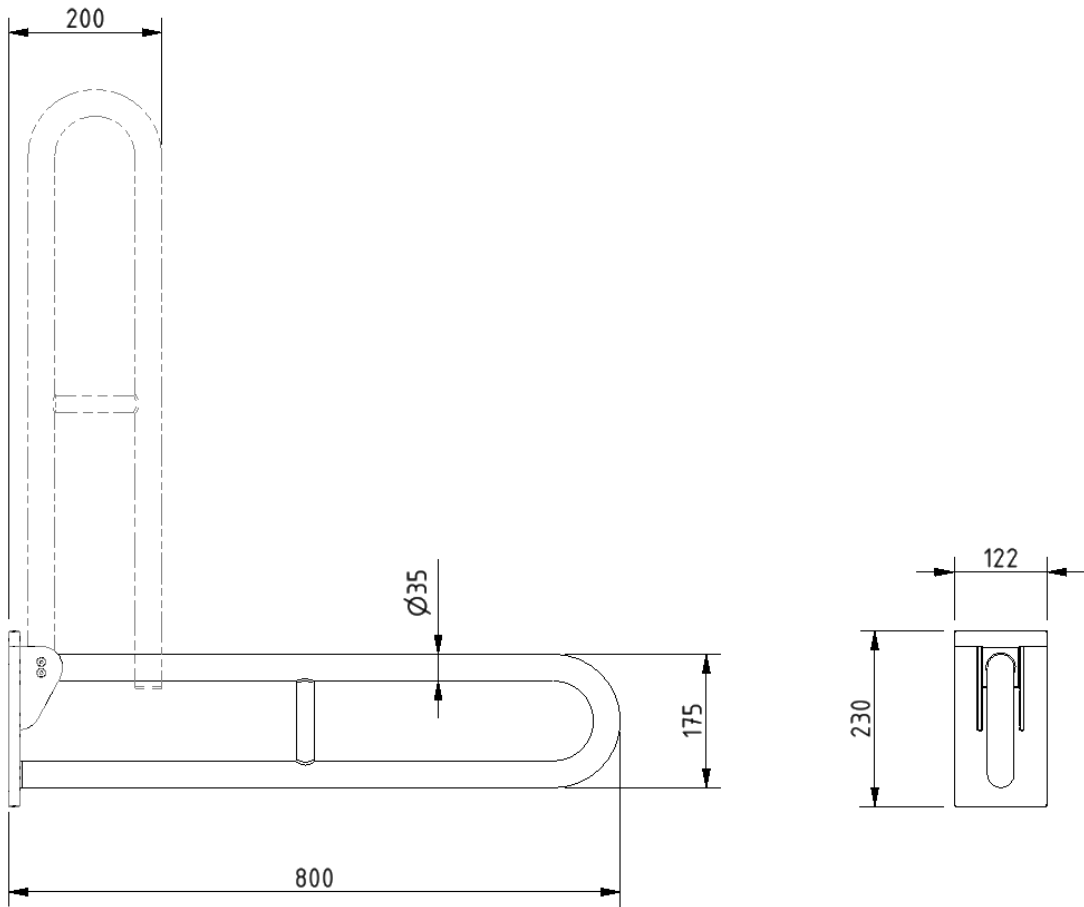
Product code

Friction hinged rail, stainless steel, concealed fixing, 800mm, white (RAL 9016)	105SC/WH
Friction hinged rail, stainless steel, concealed fixing, 800mm, dark blue (RAL 5011)	105SC/DB
Friction hinged rail, stainless steel, concealed fixing, 800mm, dark grey (RAL 7016)	105SC/DG
Friction hinged rail, stainless steel, concealed fixing, 800mm, grey (RAL 7005)	105SC/GY
Friction hinged rail, stainless steel, concealed fixing, 800mm, polished	105SC/SP
Friction hinged rail, stainless steel, concealed fixing, 800mm, satin	105SC/SS

Disclaimer

NYMAS Group makes every effort to ensure that the information provided on this data sheet is correct. However, we cannot guarantee this, and accept no liability for any information or advice given on this data sheet.

Dimensions (mm)



Stainless steel back rest rail with concealed fixings and white pad



Product details

Warranty:	5 years
Max rated load:	n/a
Doc M compliant:	Yes
Suitable for wet areas:	Yes

Features

- Complies with Part M of the Building Regulations
- Non-corrosive stainless steel construction
- Durable wipe clean polyurethane pad
- Closed cell polyurethane construction for maximum hygiene and comfort
- Saddle clips for fixing pad to rail

Finish options



WH

White
RAL 9016



DB

Dark blue
RAL 5011



DG

Dark grey
RAL 7016



GY

Grey
RAL 7005



SS

Satin
Stainless Steel



SP

Polished
Stainless Steel

Product description

Back rest rail with white pad, stainless steel, 220mm projection, concealed fixings
Back rest rail with white pad, stainless steel, 270mm projection, concealed fixings

Product code

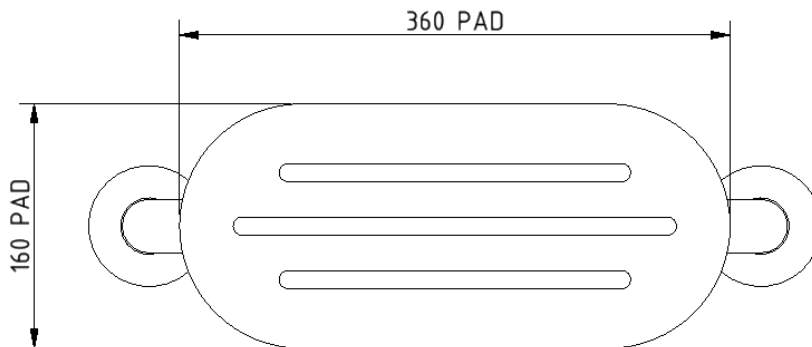
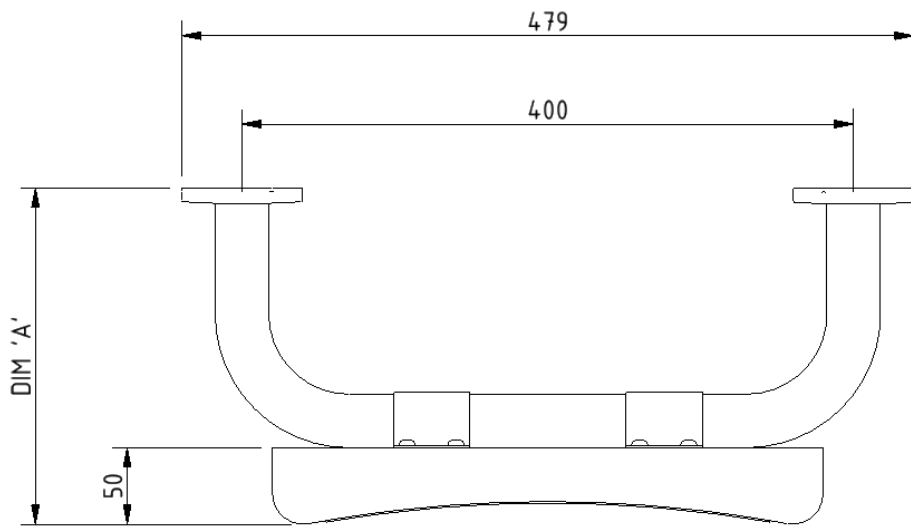
BR-220SC/**
BR-270SC/**

Replace ** with finish option code above e.g., BR-220SC/DB

Disclaimer

NYMAS Group makes every effort to ensure that the information provided on this data sheet is correct. However, we cannot guarantee this, and accept no liability for any information or advice given on this data sheet.

Dimensions (mm)



PRODUCT CODE	BR-220SC/**	BR-270SC/**
DIM 'A'	220	270

TMV3 inline thermostatic mixing valve



Product details

Warranty:	2 years
Max rated load:	n/a
Doc M compliant:	Yes
Suitable for wet areas:	Yes

Features

- TMV3 approved & Reg 4 Certified (WRAS, NSF, Kiwa, etc.)
- Complies with Part M of the Building Regulations
- Building Regulations Part G compliant
- Highly resistant to scaling
- Anti-tamper proof head

Finish options



CP

Polished
chrome

Product description

TMV3 inline thermostatic mixing valve - 15mm

Product code

BPLTMV

Disclaimer

NYMAS Group makes every effort to ensure that the information provided on this data sheet is correct. However, we cannot guarantee this, and accept no liability for any information or advice given on this data sheet.

Dimensions (mm)

