

## Back to wall ambulant Doc M toilet pack with stainless steel concealed fixing grab rails



### Product details

<b>Warranty:</b>	See individual products
<b>Max rated load:</b>	See individual products
<b>Doc M compliant:</b>	Yes
<b>Suitable for wet areas:</b>	Yes

### Features

- Complies with Part M of the Building Regulations
- WRAS approved inlet valve and syphon
- Concealed fixing stainless steel grab rails
- Simple one box solution

### Finish options



**WH**

White  
RAL 9016



**DB**

Dark blue  
RAL 5011



**DG**

Dark grey  
RAL 7016



**GY**

Grey  
RAL 7005



**SS**

Satin  
Stainless Steel



**SP**

Polished  
Stainless Steel

### Product description

- Back to wall ambulant Doc M toilet pack, stainless steel, concealed fixings, white (RAL 9016)
- Back to wall ambulant Doc M toilet pack, stainless steel, concealed fixings, dark blue (RAL 5011)
- Back to wall ambulant Doc M toilet pack, stainless steel, concealed fixings, dark grey (RAL 7016)
- Back to wall ambulant Doc M toilet pack, stainless steel, concealed fixings, grey (RAL 7005)
- Back to wall ambulant Doc M toilet pack, stainless steel, concealed fixings, polished
- Back to wall ambulant Doc M toilet pack, stainless steel, concealed fixings, satin

### Product code

- AMBBTWCS/WH
- AMBBTWCS/DB
- AMBBTWCS/DG
- AMBBTWCS/GY
- AMBBTWCS/SP
- AMBBTWCS/SS

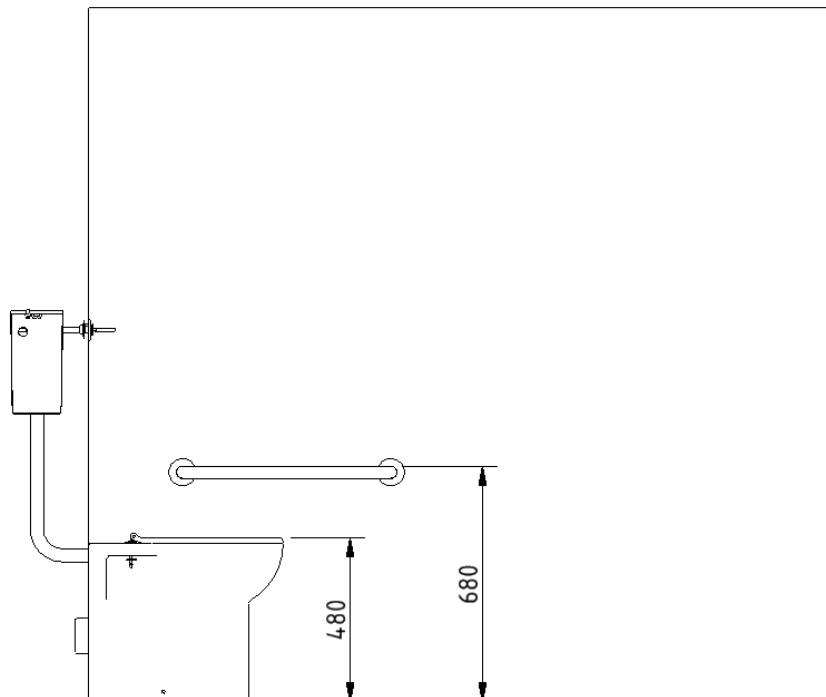
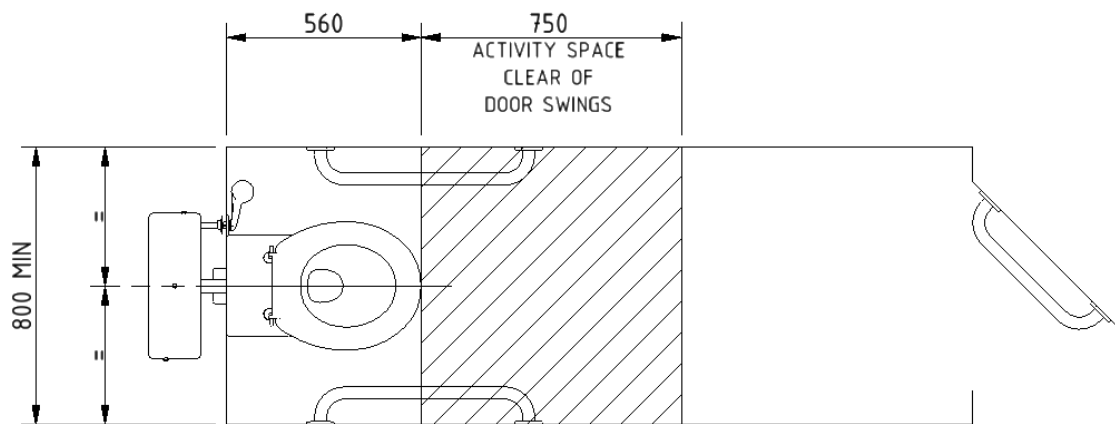
### Disclaimer

NYMAS Group makes every effort to ensure that the information provided on this data sheet is correct. However, we cannot guarantee this, and accept no liability for any information or advice given on this data sheet.

## Pack contents

- 2 x 600mm stainless steel grab rails with concealed fixings
- 1x 450mm stainless steel grab rail with concealed fixings
- 1 x Back to wall box rim Doc M pan
- 1 x Concealed cistern with fittings, flush pipe, and Doc M concealed cistern spatula lever
- 1 x Ring only toilet seat

## Dimensions (mm)



## Back to wall box rim Doc M pan



### Product details

<b>Warranty:</b>	Lifetime
<b>Max rated load:</b>	n/a
<b>Doc M compliant:</b>	Yes
<b>Suitable for wet areas:</b>	Yes

### Features

- Complies with Part M of the Building Regulations when used in conjunction with back box (BPLBOX)
- UKCA and CE compliant
- Comfort height to allow easier side transfer from wheelchair

## Finish options

**WH**

White  
RAL 9016

### Product description

Back to wall box rim Doc M pan

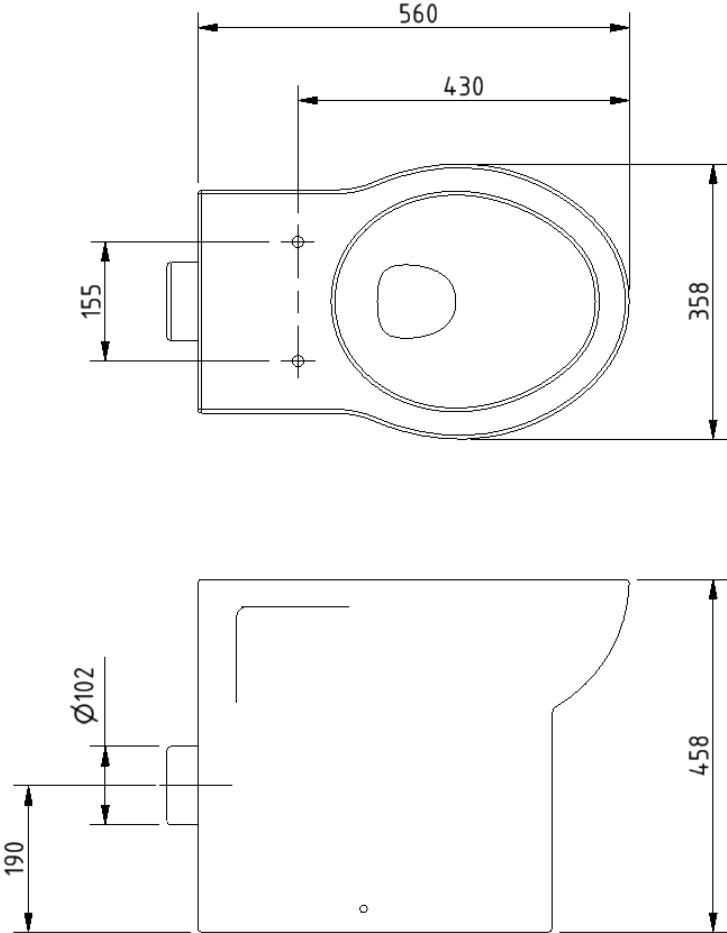
### Product code

NY01-SW-31000-WH

### Disclaimer

NYMAS Group makes every effort to ensure that the information provided on this data sheet is correct. However, we cannot guarantee this, and accept no liability for any information or advice given on this data sheet.

Dimensions (mm)



## Concealed cistern and fittings



### Product details

**Warranty:** 2 years

**Max rated load:** N/A

**Doc M compliant:** N/A

**Suitable for wet areas:** Yes

### Features

- WRAS approved syphon
- WRAS approved inlet valve
- Top access
- 6 litre flush
- Internal / external overflow warning
- High density polystyrene construction

Does not come with flush lever or flush pipe

### Product description

Concealed cistern and fittings, no lever or flush pipe

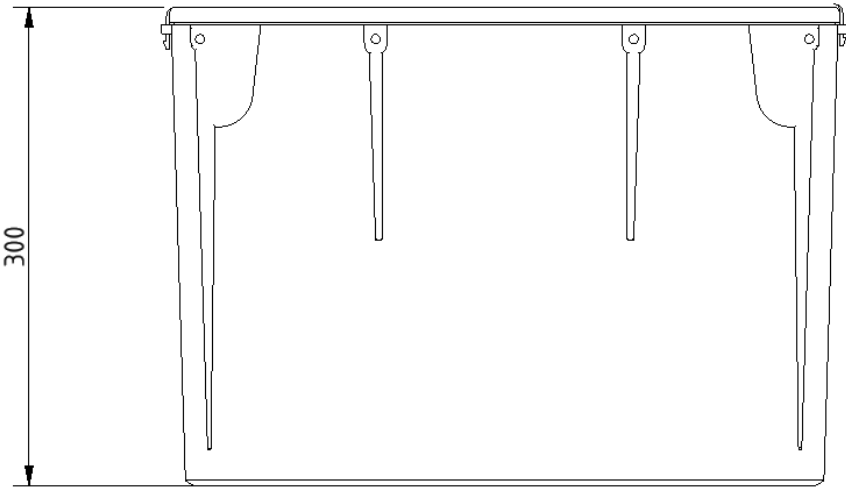
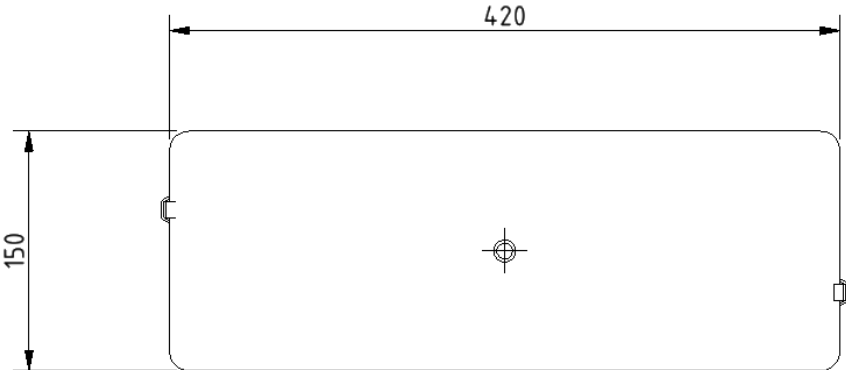
### Product code

B-CISTHIDE

### Disclaimer

NYMAS Group makes every effort to ensure that the information provided on this data sheet is correct. However, we cannot guarantee this, and accept no liability for any information or advice given on this data sheet.

Dimensions (mm)



## Concealed cistern spatula lever



### Product details

Warranty: 2 years

Max rated load: n/a

Doc M compliant: Yes

Suitable for wet areas: Yes

### Features

- Complies with Part M of the Building Regulations
- Easy operation for users with limited dexterity
- For use with concealed cisterns

## Finish options



Polished  
chrome

## Product description

Concealed cistern spatula lever, 215mm spindle, polished chrome

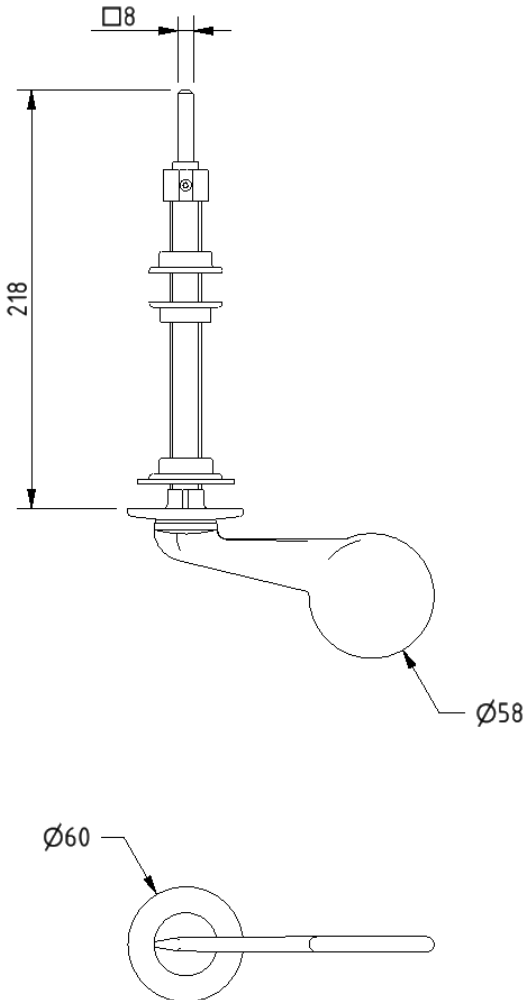
## Product code

P-000243-X00X

## Disclaimer

NYMAS Group makes every effort to ensure that the information provided on this data sheet is correct. However, we cannot guarantee this, and accept no liability for any information or advice given on this data sheet.

Dimensions (mm)





## Toilet seat, ring only, stainless steel pillar hinge



### Product details

<b>Warranty:</b>	2 years
<b>Max rated load:</b>	150 kg
<b>Doc M compliant:</b>	Yes
<b>Suitable for wet areas:</b>	Yes

### Features

- Complies with Part M of the Building Regulations
- Anti-bacterial, strong and durable Duroplast seat
- Ergonomic and comfortable shape
- Stainless steel hinge
- Adjustable locating buffers
- Fits close coupled, low level, back to wall and wall hung pans

### Finish options



**WH**

White  
RAL 9016



**DB**

Dark blue  
RAL 5011



**DG**

Dark grey  
RAL 7016



**GY**

Grey  
RAL 7005

### Product description

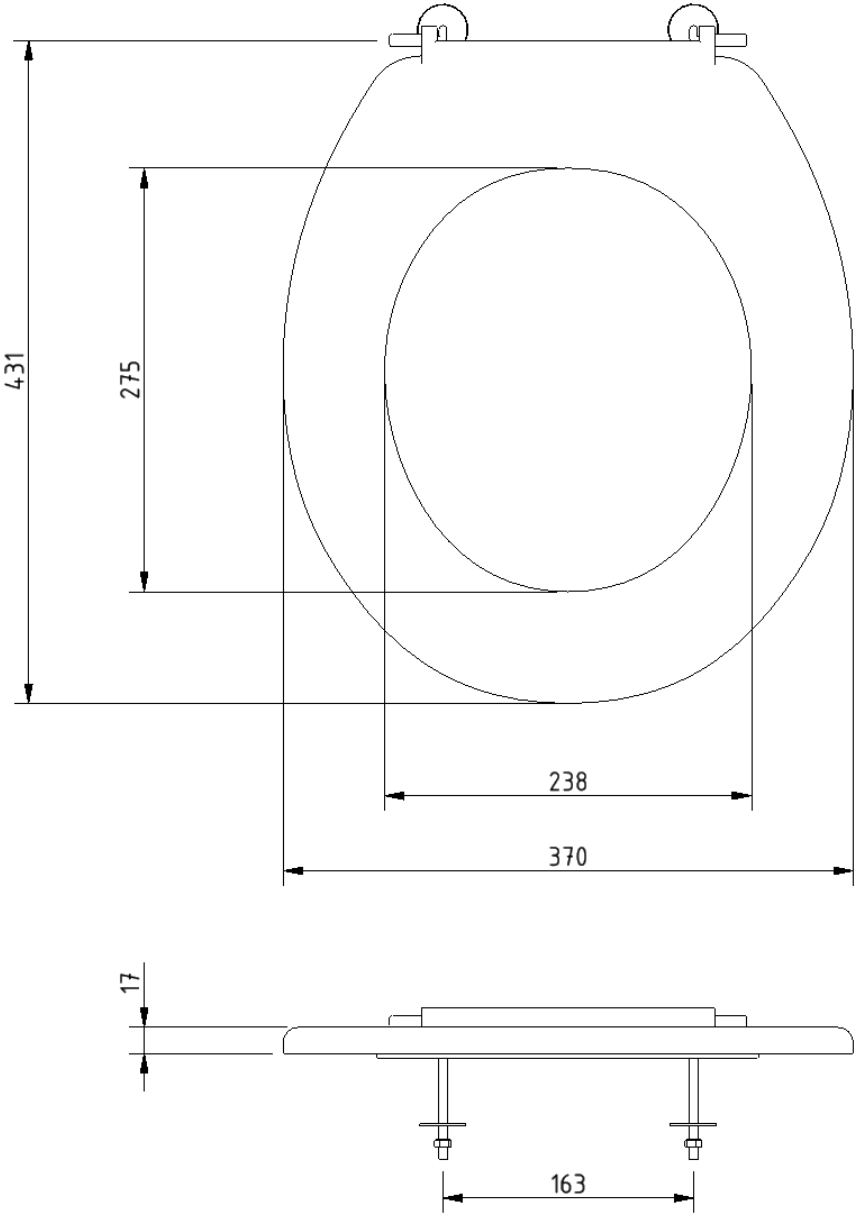
### Product code

Toilet seat, ring only, stainless steel pillar hinge, dark blue (RAL 5011)	260015/DB
Toilet seat, ring only, stainless steel pillar hinge, dark grey (RAL 7016)	260015/DG
Toilet seat, ring only, stainless steel pillar hinge, grey (RAL 7005)	260015/GY
Toilet seat, ring only, stainless steel pillar hinge, white (RAL 9016)	260015/WH

### Disclaimer

NYMAS Group makes every effort to ensure that the information provided on this data sheet is correct. However, we cannot guarantee this, and accept no liability for any information or advice given on this data sheet.

**Dimensions (mm)**



## Stainless steel grab rail with concealed fixings, 35mm diameter tube



### Product details

<b>Warranty:</b>	5 years
<b>Max rated load:</b>	185 kg
<b>Doc M compliant:</b>	Yes
<b>Suitable for wet areas:</b>	Yes

### Features

- Non-corrosive stainless steel construction
- Durable powder coated finish
- Concealed fixing
- Non-standard colour options available

### Finish options



White  
RAL 9016



Dark blue  
RAL 5011



Dark grey  
RAL 7016



Grey  
RAL 7005

### Product description

Grab rail, stainless steel, concealed fixings, 35mm diameter, 300mm
Grab rail, stainless steel, concealed fixings, 35mm diameter, 450mm
Grab rail, stainless steel, concealed fixings, 35mm diameter, 600mm
Grab rail, stainless steel, concealed fixings, 35mm diameter, 900mm

### Product code

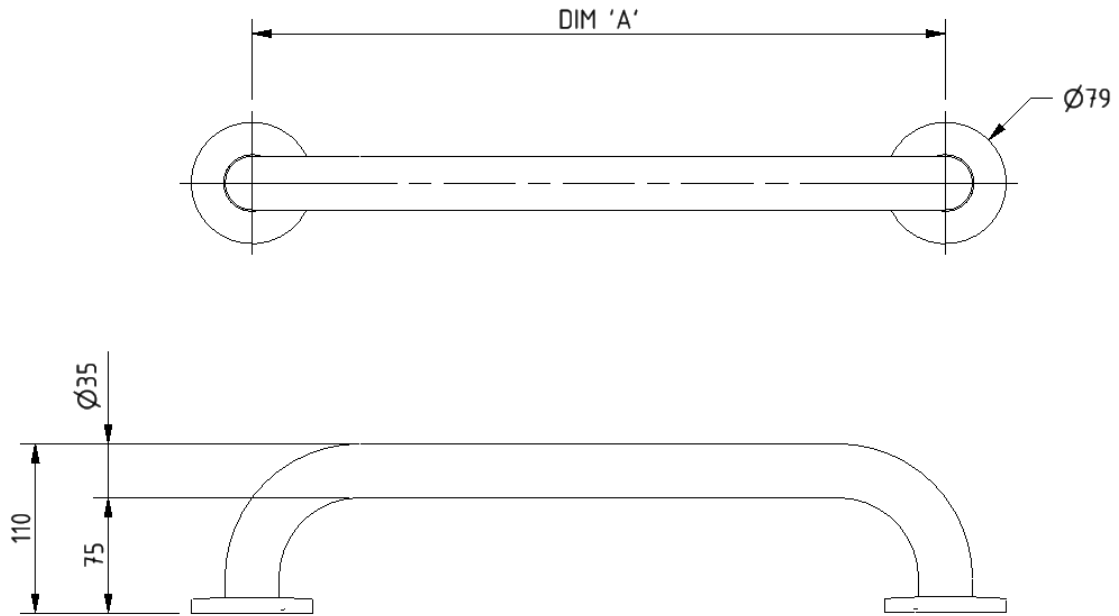
210130/**
210145/**
210160/**
210190/**

Replace \*\* with finish option code above e.g., 210160/DB

### Disclaimer

NYMAS Group makes every effort to ensure that the information provided on this data sheet is correct. However, we cannot guarantee this, and accept no liability for any information or advice given on this data sheet.

## Dimensions (mm)



PRODUCT CODE	210130/**	210145/**	210160/**	210190/**
DIM 'A'	300	450	600	900

## Round flange stainless steel grab rail with concealed fixings, 32mm diameter



### Product details

**Warranty:** 5 years

**Max rated load:** 200 kg

**Doc M compliant:** Yes

**Suitable for wet areas:** Yes

### Features

- Non-corrosive stainless steel construction
- Concealed fixings
- Complies with Part M of the Building Regulations

### Finish options



Satin  
Stainless Steel



Polished  
Stainless Steel

### Product description

Grab rail, stainless steel, concealed fixings, 32mm diameter, 300mm, polished  
 Grab rail, stainless steel, concealed fixings, 32mm diameter, 300mm, satin  
 Grab rail, stainless steel, concealed fixings, 32mm diameter, 450mm, polished  
 Grab rail, stainless steel, concealed fixings, 32mm diameter, 450mm, satin  
 Grab rail, stainless steel, concealed fixings, 32mm diameter, 600mm, polished  
 Grab rail, stainless steel, concealed fixings, 32mm diameter, 600mm, satin  
 Grab rail, stainless steel, concealed fixings, 32mm diameter, 900mm, polished  
 Grab rail, stainless steel, concealed fixings, 32mm diameter, 900mm, satin

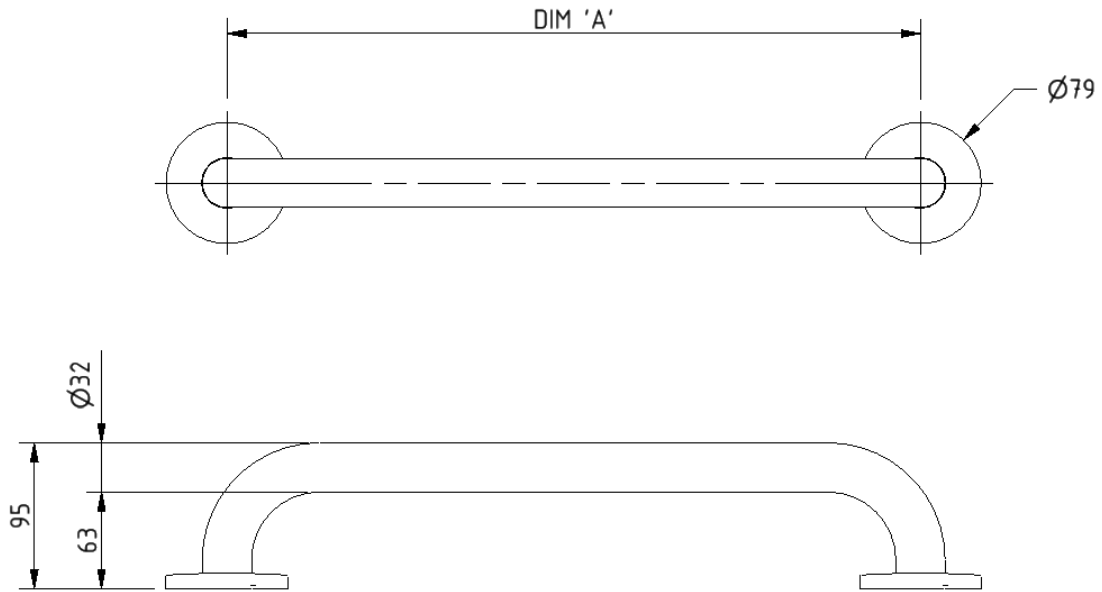
### Product code

GR-12/32C/SP  
 GR-12/32C/SS  
 GR-18/32C/SP  
 GR-18/32C/SS  
 GR-24/32C/SP  
 GR-24/32C/SS  
 211090/SP  
 211090/SS

### Disclaimer

NYMAS Group makes every effort to ensure that the information provided on this data sheet is correct. However, we cannot guarantee this, and accept no liability for any information or advice given on this data sheet.

## Dimensions (mm)



PRODUCT CODE	GR-12/32C**	GR-18/32C**	GR-24/32C**	211090/**
DIM 'A'	300	450	600	900