

Wall hung Doc M toilet pack with stainless steel concealed fixing grab rails



Product details

Warranty:	See individual products
Max rated load:	See individual products
Doc M compliant:	Yes
Suitable for wet areas:	Yes

Features

- Complies with Part M of the Building Regulations
- WRAS approved inlet valve and syphon
- Concealed fixing stainless steel grab rails
- Universal - suitable for left or right handed transfer
- Simple one box solution

Finish options



Satin
Stainless Steel



Polished
Stainless Steel

Product description

Wall hung Doc M toilet pack, stainless steel, concealed fixings, satin

Wall hung Doc M toilet pack, stainless steel, concealed fixings, polished

Product code

DM830KCS/SS

DM830KCS/SP

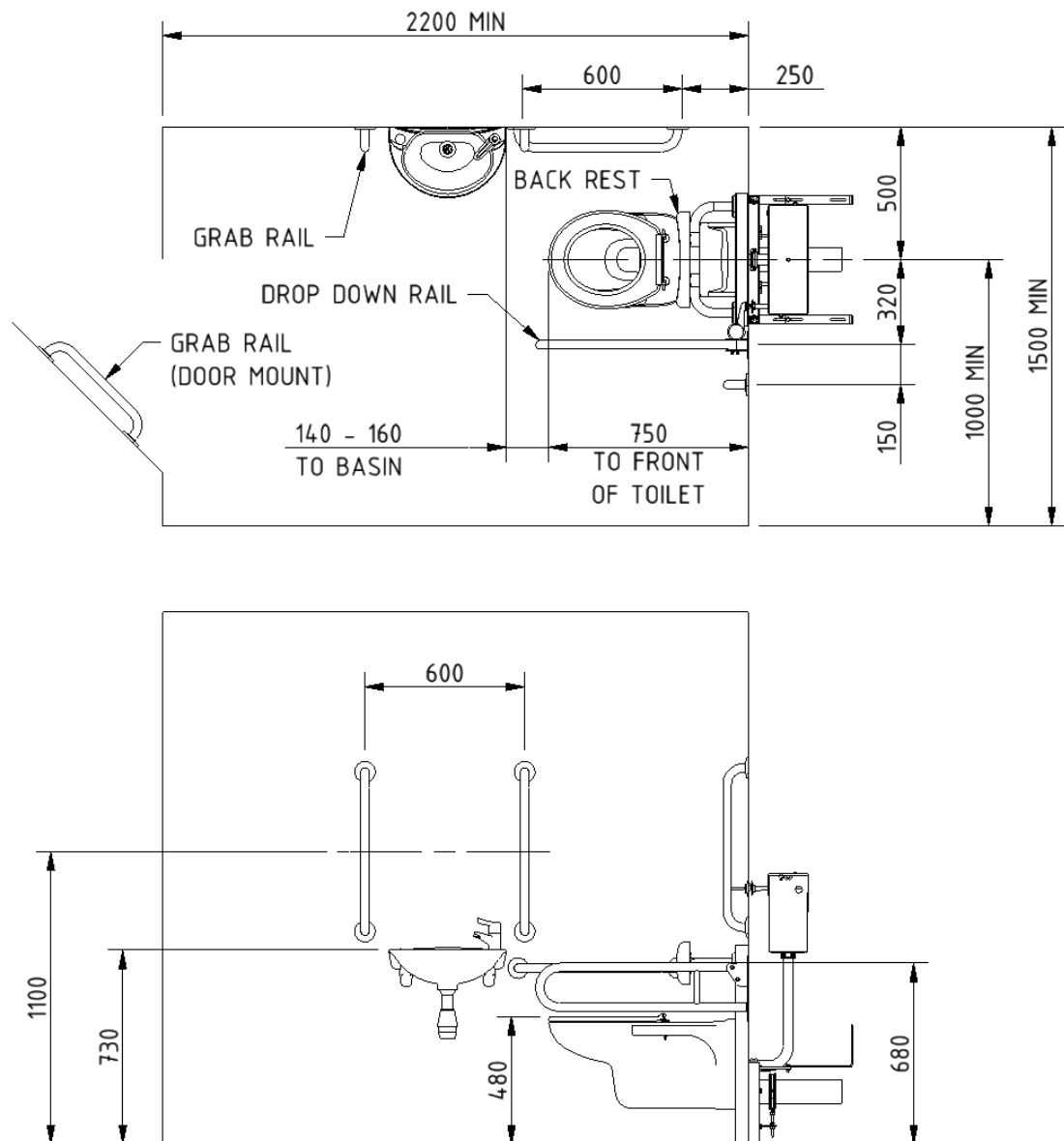
Disclaimer

NYMAS Group makes every effort to ensure that the information provided on this data sheet is correct. However, we cannot guarantee this, and accept no liability for any information or advice given on this data sheet.

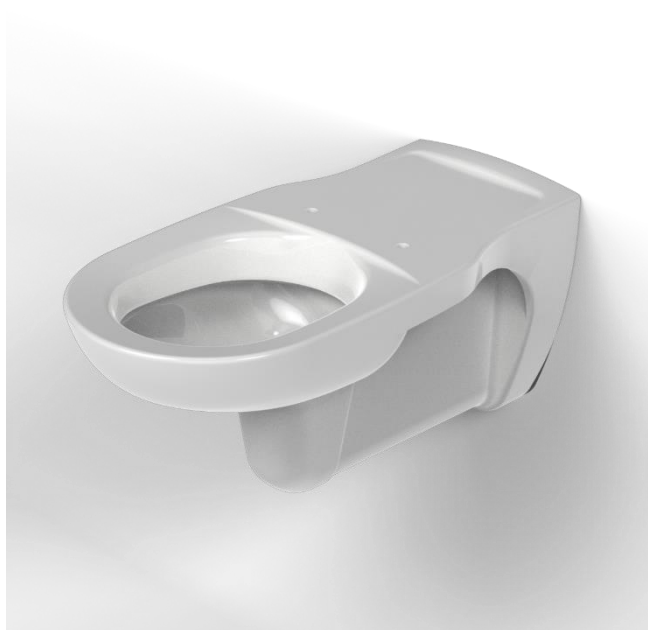
Pack contents

- 4 x 600mm stainless steel grab rails with concealed fixings
- 1 x 450mm stainless steel grab rail with concealed fixings
- 1 x 800mm stainless steel hinged support rail
- 1 x 220mm stainless steel back rest rail and pad with concealed fixing
- 1 x Wall hung box rim Doc M pan
- 1 x Floor mounting frame for wall hung pan
- 1 x Concealed cistern with fittings, flush pipe, and Doc M concealed cistern spatula lever
- 1 x Ring only toilet seat
- 1 x Two tap hole basin
- 1 x Sequential basin mixer tap
- 1 x Tap hole stopper
- 1 x Basin waste

Dimensions (mm)



Wall hung Doc M pan



Product details

Warranty:	5 years
Max rated load:	n/a
Doc M compliant:	Yes
Suitable for wet areas:	Yes

Features

- Extended projection to aid compliance with Part M of the Building Regulations
- UKCA and CE compliant
- Contemporary feel

For 750mm projection, wall should be built out by 50mm

Finish options

WH

White
RAL 9016

Product description

Wall hung Doc M pan, 700mm projection, no fixings, white

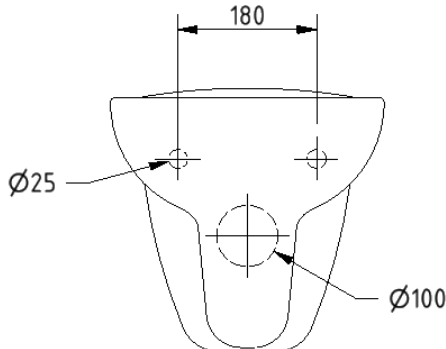
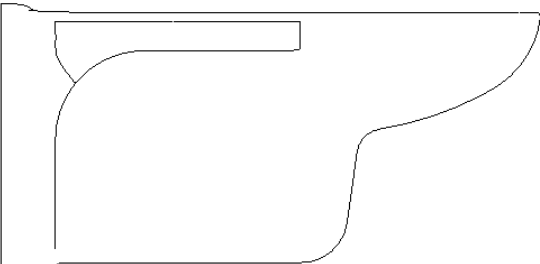
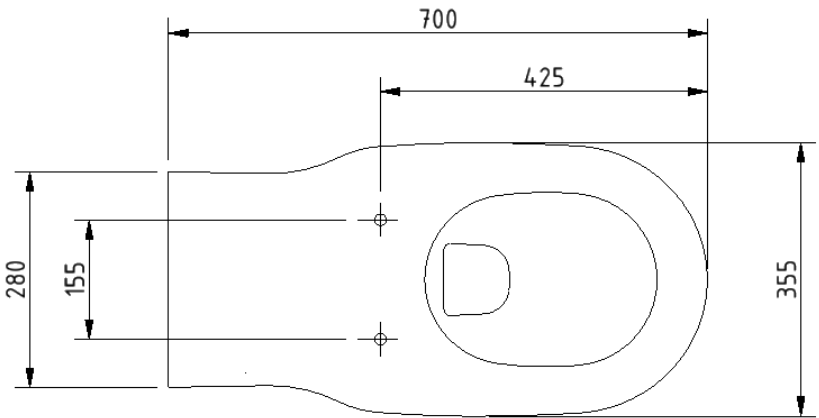
Product code

PANWH70

Disclaimer

NYMAS Group makes every effort to ensure that the information provided on this data sheet is correct. However, we cannot guarantee this, and accept no liability for any information or advice given on this data sheet.

Dimensions (mm)



Low frame unit for wall hung pan



Product details

Warranty:	5 years
Max rated load:	350 kg
Doc M compliant:	Yes
Suitable for wet areas:	Yes

Features

- Come with flush pipe and WC pan connector clamps
- Adjustable legs for WC pan height fixing flexibility
- Wall and floor fixing brackets can be fixed through 180 degrees and 360 degrees to simplify installation
- Strong steel tubular section

Finish options



Grey
RAL 7005

Product description

Low frame unit for wall hung pan

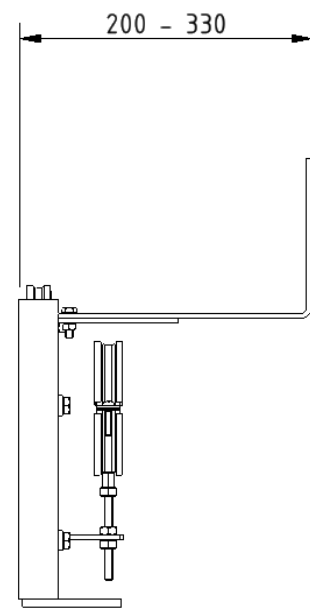
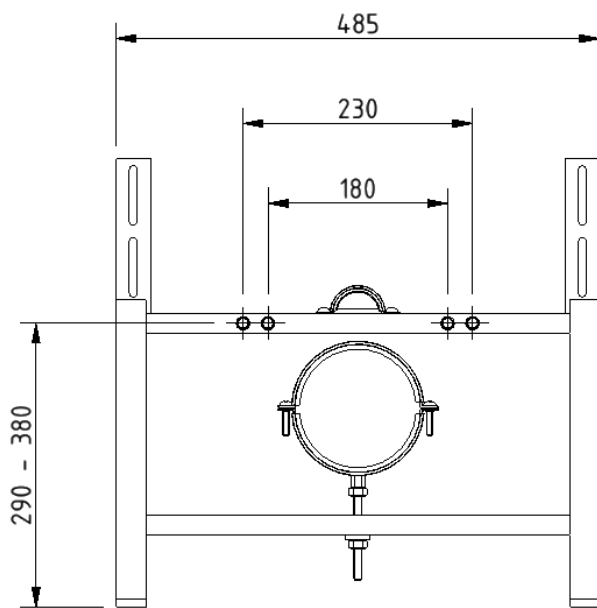
Product code

B-WALLHUNGFRAME

Disclaimer

NYMAS Group makes every effort to ensure that the information provided on this data sheet is correct. However, we cannot guarantee this, and accept no liability for any information or advice given on this data sheet.

Dimensions (mm)



Toilet seat, ring only, stainless steel pillar hinge



Product details

Warranty:	2 years
Max rated load:	150 kg
Doc M compliant:	Yes
Suitable for wet areas:	Yes

Features

- Complies with Part M of the Building Regulations
- Anti-bacterial, strong and durable Duroplast seat
- Ergonomic and comfortable shape
- Stainless steel hinge
- Adjustable locating buffers
- Fits close coupled, low level, back to wall and wall hung pans

Finish options



WH

White
RAL 9016



DB

Dark blue
RAL 5011



DG

Dark grey
RAL 7016



GY

Grey
RAL 7005

Product description

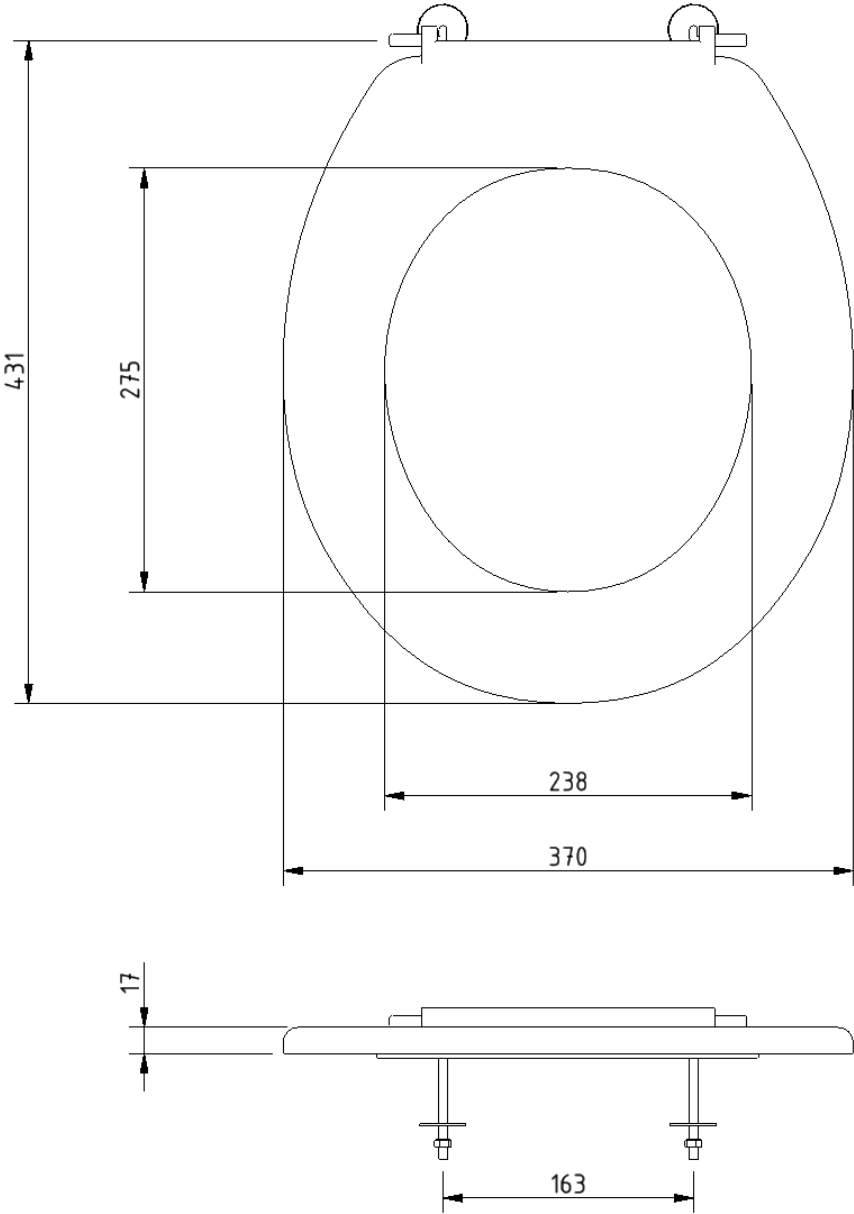
Product code

Toilet seat, ring only, stainless steel pillar hinge, dark blue (RAL 5011)	260015/DB
Toilet seat, ring only, stainless steel pillar hinge, dark grey (RAL 7016)	260015/DG
Toilet seat, ring only, stainless steel pillar hinge, grey (RAL 7005)	260015/GY
Toilet seat, ring only, stainless steel pillar hinge, white (RAL 9016)	260015/WH

Disclaimer

NYMAS Group makes every effort to ensure that the information provided on this data sheet is correct. However, we cannot guarantee this, and accept no liability for any information or advice given on this data sheet.

Dimensions (mm)



Concealed cistern and fittings



Product details

Warranty: 2 years

Max rated load: N/A

Doc M compliant: N/A

Suitable for wet areas: Yes

Features

- WRAS approved syphon
- WRAS approved inlet valve
- Top access
- 6 litre flush
- Internal / external overflow warning
- High density polystyrene construction

Does not come with flush lever or flush pipe

Product description

Concealed cistern and fittings, no lever or flush pipe

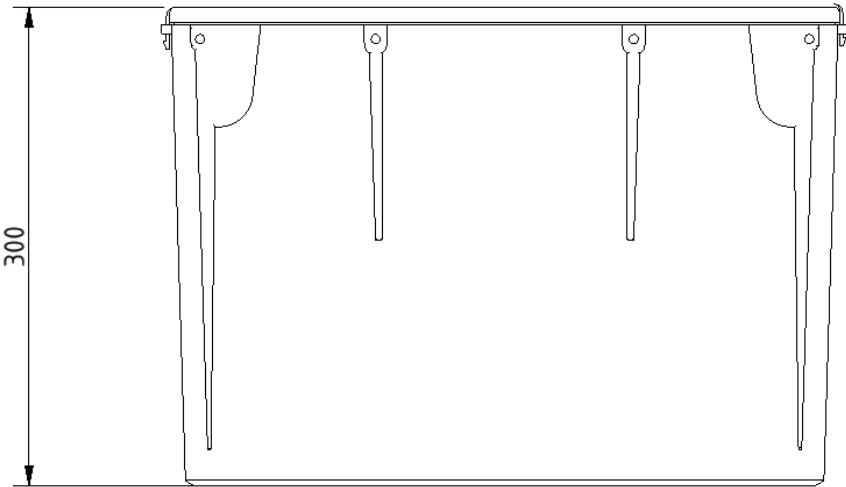
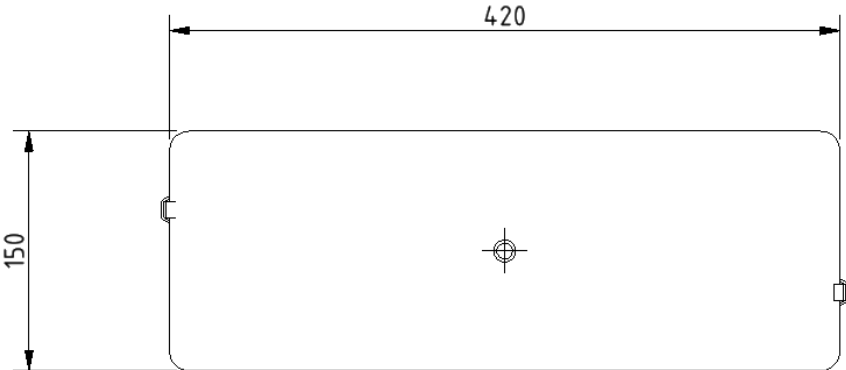
Product code

B-CISTHIDE

Disclaimer

NYMAS Group makes every effort to ensure that the information provided on this data sheet is correct. However, we cannot guarantee this, and accept no liability for any information or advice given on this data sheet.

Dimensions (mm)



Concealed cistern spatula lever



Product details

Warranty: 2 years

Max rated load: n/a

Doc M compliant: Yes

Suitable for wet areas: Yes

Features

- Complies with Part M of the Building Regulations
- Easy operation for users with limited dexterity
- For use with concealed cisterns

Finish options



Polished
chrome

Product description

Concealed cistern spatula lever, 215mm spindle, polished chrome

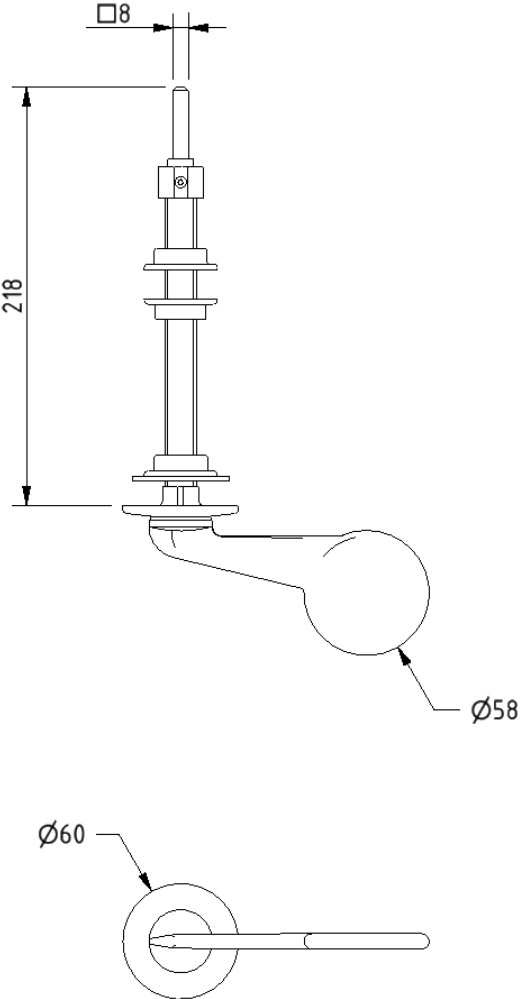
Product code

P-000243-X00X

Disclaimer

NYMAS Group makes every effort to ensure that the information provided on this data sheet is correct. However, we cannot guarantee this, and accept no liability for any information or advice given on this data sheet.

Dimensions (mm)



Compact Doc M basin



Product details

Warranty: Lifetime

Max rated load: n/a

Doc M compliant: Yes

Suitable for wet areas: Yes

Features

- Two tap holes for left or right handed configuration
- Compact design to maximise space for a wheelchair user
- Complies with Part M of the Building Regulations
- No overflow

Does not come with wall fixings (P-000248-X00X)

Finish options

WH

White
RAL 9016

Product description

Compact Doc M basin, two tap holes, no overflow, white

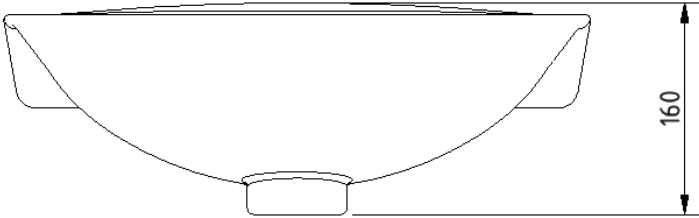
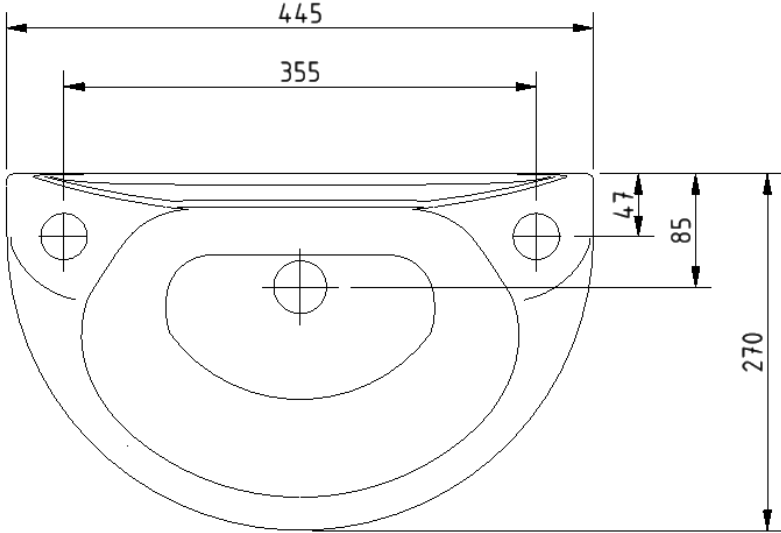
Product code

NY01-SW-00120-WH

Disclaimer

NYMAS Group makes every effort to ensure that the information provided on this data sheet is correct. However, we cannot guarantee this, and accept no liability for any information or advice given on this data sheet.

Dimensions (mm)



Polished chrome sequential basin mixer tap



Product details

Warranty: 2 years

Max rated load: n/a

Doc M compliant: Yes

Suitable for wet areas: Yes

Features

- WRAS approved
- Easy operation for users with limited dexterity
- Cold start

Finish options



Polished
chrome

Product description

Sequential basin mixer tap, polished chrome

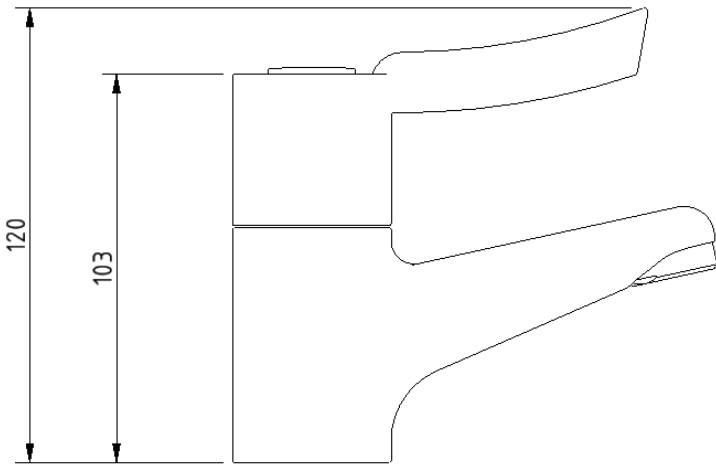
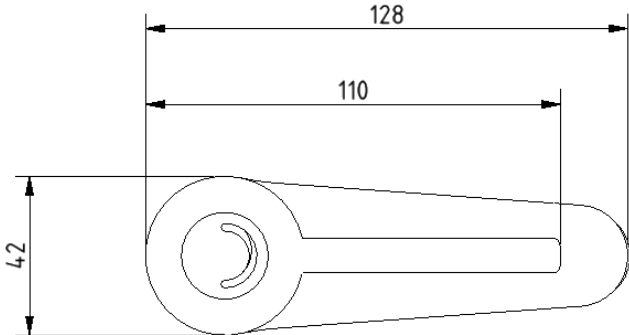
Product code

BPLMON

Disclaimer

NYMAS Group makes every effort to ensure that the information provided on this data sheet is correct. However, we cannot guarantee this, and accept no liability for any information or advice given on this data sheet.

Dimensions (mm)



Basin waste with stainless steel grid, no plug



Product details

Warranty: 2years

Max rated load: n/a

Doc M compliant: n/a

Suitable for wet areas: Yes

Features

- Quick and simple installation
- Manufactured from high quality materials
- Stainless steel grid
- Plastic Body

Finish options

Not applicable

Product description

Basin waste with stainless steel grid, no plug

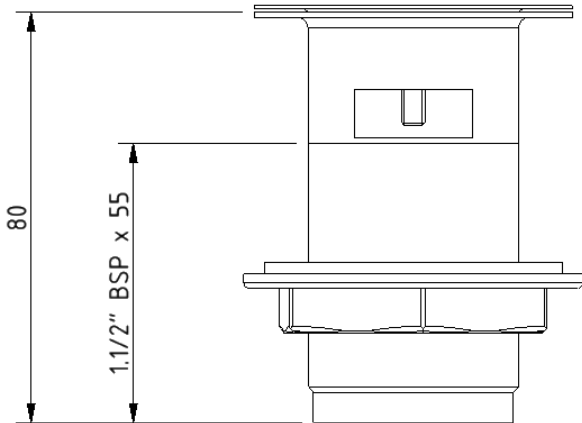
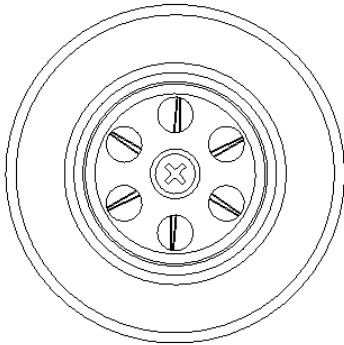
Product code

P-000241-X00X

Disclaimer

NYMAS Group makes every effort to ensure that the information provided on this data sheet is correct. However, we cannot guarantee this, and accept no liability for any information or advice given on this data sheet.

Dimensions (mm)



Chrome plated hole stopper



Product details

Warranty: 2 years

Max rated load: n/a

Doc M compliant: n/a

Suitable for wet areas: Yes

Features

- Supplied with Locknut
- To suit 13mm (1/2") Hole
- Easy to fit

Finish options



Polished
chrome

Product description

Chrome plated hole stopper

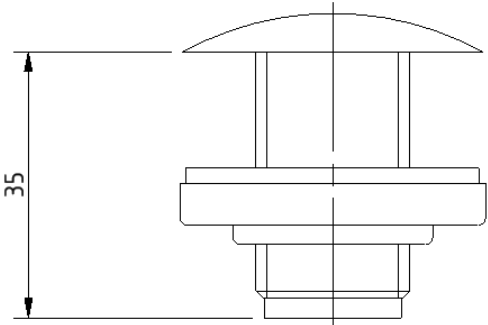
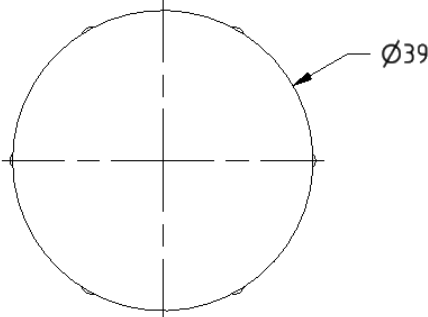
Product code

P-000239-X00X

Disclaimer

NYMAS Group makes every effort to ensure that the information provided on this data sheet is correct. However, we cannot guarantee this, and accept no liability for any information or advice given on this data sheet.

Dimensions (mm)



Basin hanging brackets



Product details

Warranty: 2 years

Max rated load: n/a

Doc M compliant: n/a

Suitable for wet areas: No

Features

- Basin hanging brackets for compact Doc M basin (NY01-SW-00120-WH)
- Strong steel construction

Product description

Basin hanging brackets

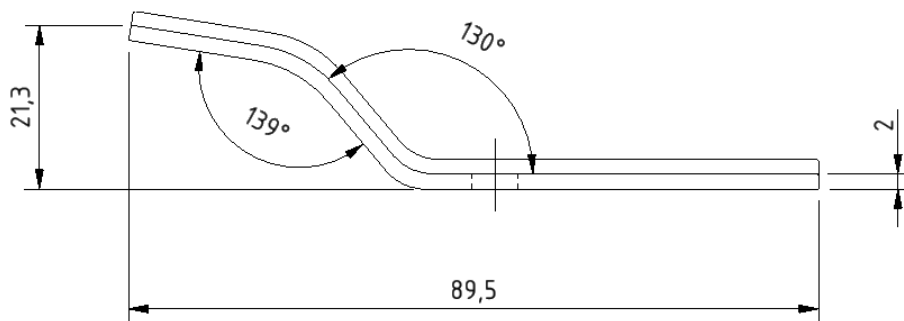
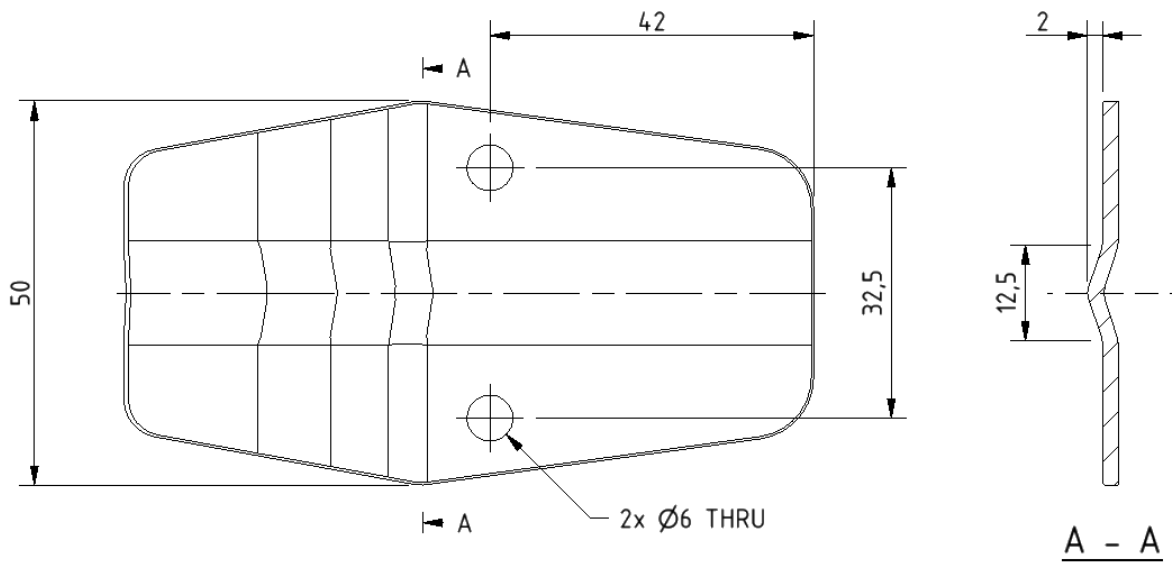
Product code

P-000248-X00X

Disclaimer

NYMAS Group makes every effort to ensure that the information provided on this data sheet is correct. However, we cannot guarantee this, and accept no liability for any information or advice given on this data sheet.

Dimensions (mm)



Round flange stainless steel grab rail with concealed fixings, 32mm diameter



Product details

Warranty: 5 years

Max rated load: 200 kg

Doc M compliant: Yes

Suitable for wet areas: Yes

Features

- Non-corrosive stainless steel construction
- Concealed fixings
- Complies with Part M of the Building Regulations

Finish options



Satin
Stainless Steel



Polished
Stainless Steel

Product description

Grab rail, stainless steel, concealed fixings, 32mm diameter, 300mm, polished
 Grab rail, stainless steel, concealed fixings, 32mm diameter, 300mm, satin
 Grab rail, stainless steel, concealed fixings, 32mm diameter, 450mm, polished
 Grab rail, stainless steel, concealed fixings, 32mm diameter, 450mm, satin
 Grab rail, stainless steel, concealed fixings, 32mm diameter, 600mm, polished
 Grab rail, stainless steel, concealed fixings, 32mm diameter, 600mm, satin
 Grab rail, stainless steel, concealed fixings, 32mm diameter, 900mm, polished
 Grab rail, stainless steel, concealed fixings, 32mm diameter, 900mm, satin

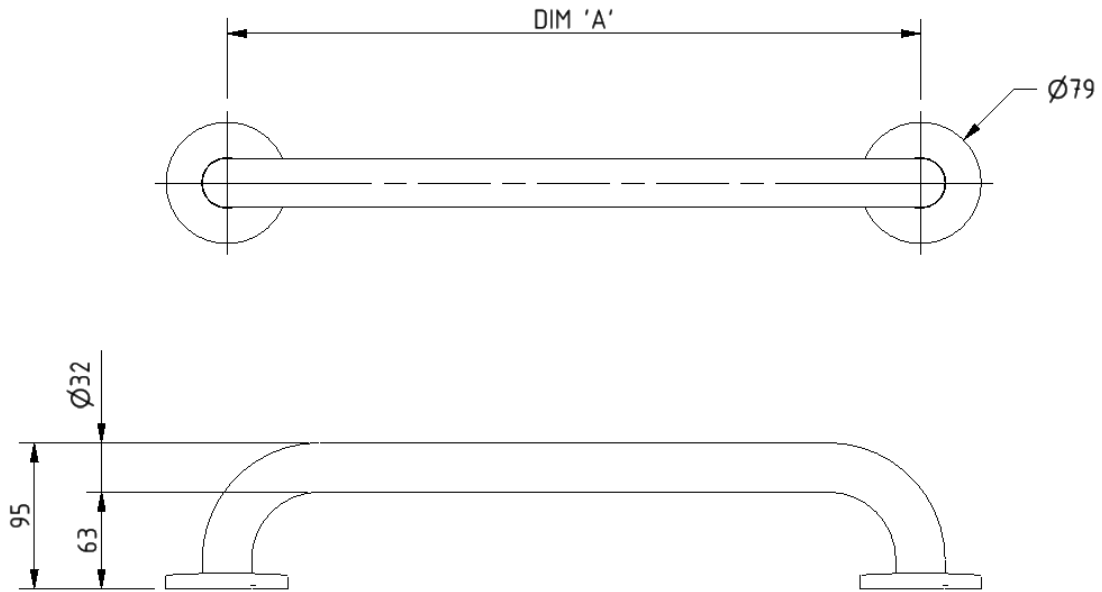
Product code

GR-12/32C/SP
 GR-12/32C/SS
 GR-18/32C/SP
 GR-18/32C/SS
 GR-24/32C/SP
 GR-24/32C/SS
 211090/SP
 211090/SS

Disclaimer

NYMAS Group makes every effort to ensure that the information provided on this data sheet is correct. However, we cannot guarantee this, and accept no liability for any information or advice given on this data sheet.

Dimensions (mm)



PRODUCT CODE	GR-12/32C**	GR-18/32C**	GR-24/32C**	211090/**
DIM 'A'	300	450	600	900

Stainless steel lift and lock hinged support rail



Product details

Warranty:	5 years
Max rated load:	135 kg
Doc M compliant:	Yes
Suitable for wet areas:	Yes

Features

- Complies with Part M of the Building Regulations
- Lift and lock folding mechanism
- Non-corrosive stainless steel construction
- Toilet roll holder (optional)

Finish options



White
RAL 9016



Dark blue
RAL 5011



Dark grey
RAL 7016



Grey
RAL 7005



Satin
Stainless Steel



Polished
Stainless Steel

Product description

Hinged lift and lock support rail, stainless steel, 650mm
Hinged lift and lock support rail, stainless steel, 800mm,

Product code

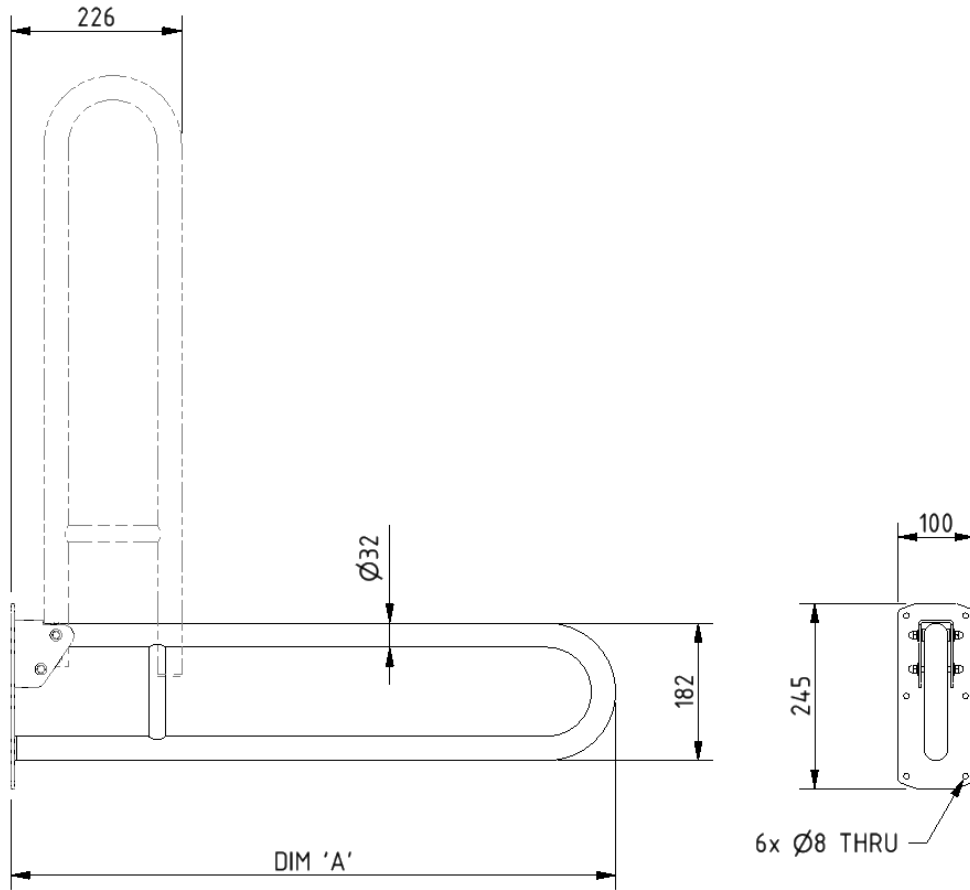
211865/**
211880/**

Replace ** with finish option code above e.g., 211880/DB

Disclaimer

NYMAS Group makes every effort to ensure that the information provided on this data sheet is correct. However, we cannot guarantee this, and accept no liability for any information or advice given on this data sheet.

Dimensions (mm)



PRODUCT CODE	211865/**	211880/**
DIM 'A'	650	800

Stainless steel back rest rail with concealed fixings and white pad



Product details

Warranty:	5 years
Max rated load:	n/a
Doc M compliant:	Yes
Suitable for wet areas:	Yes

Features

- Complies with Part M of the Building Regulations
- Non-corrosive stainless steel construction
- Durable wipe clean polyurethane pad
- Closed cell polyurethane construction for maximum hygiene and comfort
- Saddle clips for fixing pad to rail

Finish options



WH

White
RAL 9016



DB

Dark blue
RAL 5011



DG

Dark grey
RAL 7016



GY

Grey
RAL 7005



SS

Satin
Stainless Steel



SP

Polished
Stainless Steel

Product description

Back rest rail with white pad, stainless steel, 220mm projection, concealed fixings

Back rest rail with white pad, stainless steel, 270mm projection, concealed fixings

Product code

BR-220SC/**

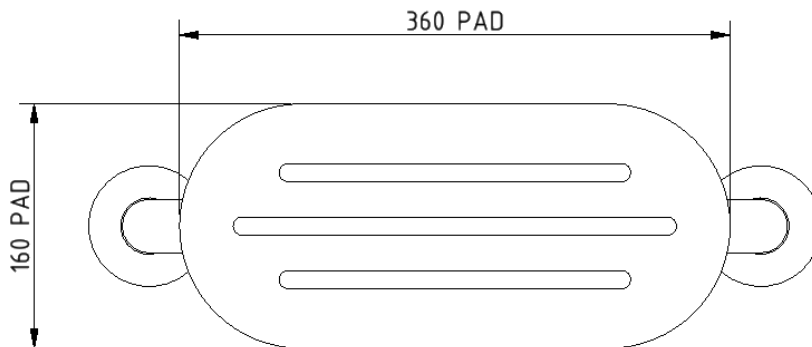
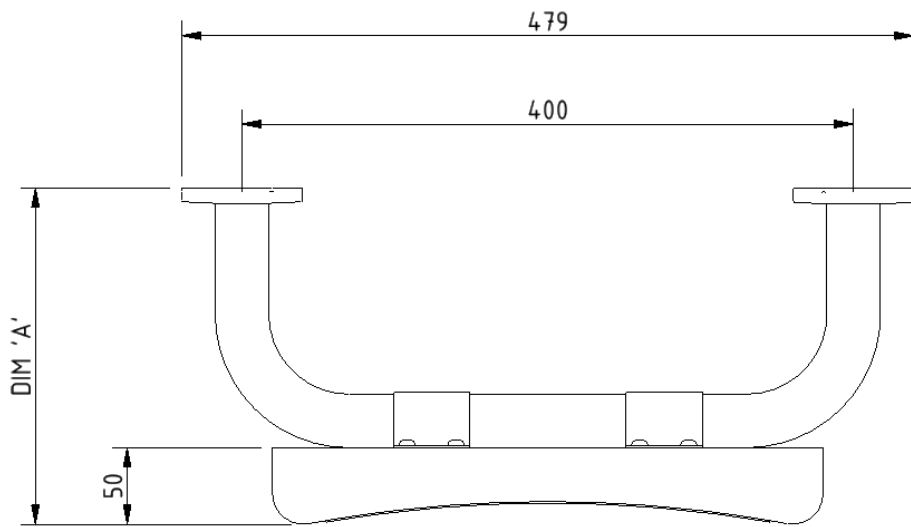
BR-270SC/**

Replace ** with finish option code above e.g., BR-220SC/DB

Disclaimer

NYMAS Group makes every effort to ensure that the information provided on this data sheet is correct. However, we cannot guarantee this, and accept no liability for any information or advice given on this data sheet.

Dimensions (mm)



PRODUCT CODE	BR-220SC/**	BR-270SC/**
DIM 'A'	220	270