

## Lift and lock steel hinged support rail with toilet roll holder



### Product details

<b>Warranty:</b>	2 years
<b>Max rated load:</b>	115 kg
<b>Doc M compliant:</b>	Yes (800mm variant only)
<b>Suitable for wet areas:</b>	No

### Features

- Lift and lock folding mechanism
- Integral toilet roll holder
- Robust steel construction
- Durable epoxy polyester coating
- Complies with Part M of the Building Regulations (800mm variant only)

### Finish options

**WH**

White  
RAL 9016

**DB**

Dark blue  
RAL 5011

**DG**

Dark grey  
RAL 7016

**GY**

Grey  
RAL 7005

### Product description

Trombone lift and lock hinged support rail, steel, toilet roll holder, 550mm  
Trombone lift and lock hinged support rail, steel, toilet roll holder, 800mm

### Product code

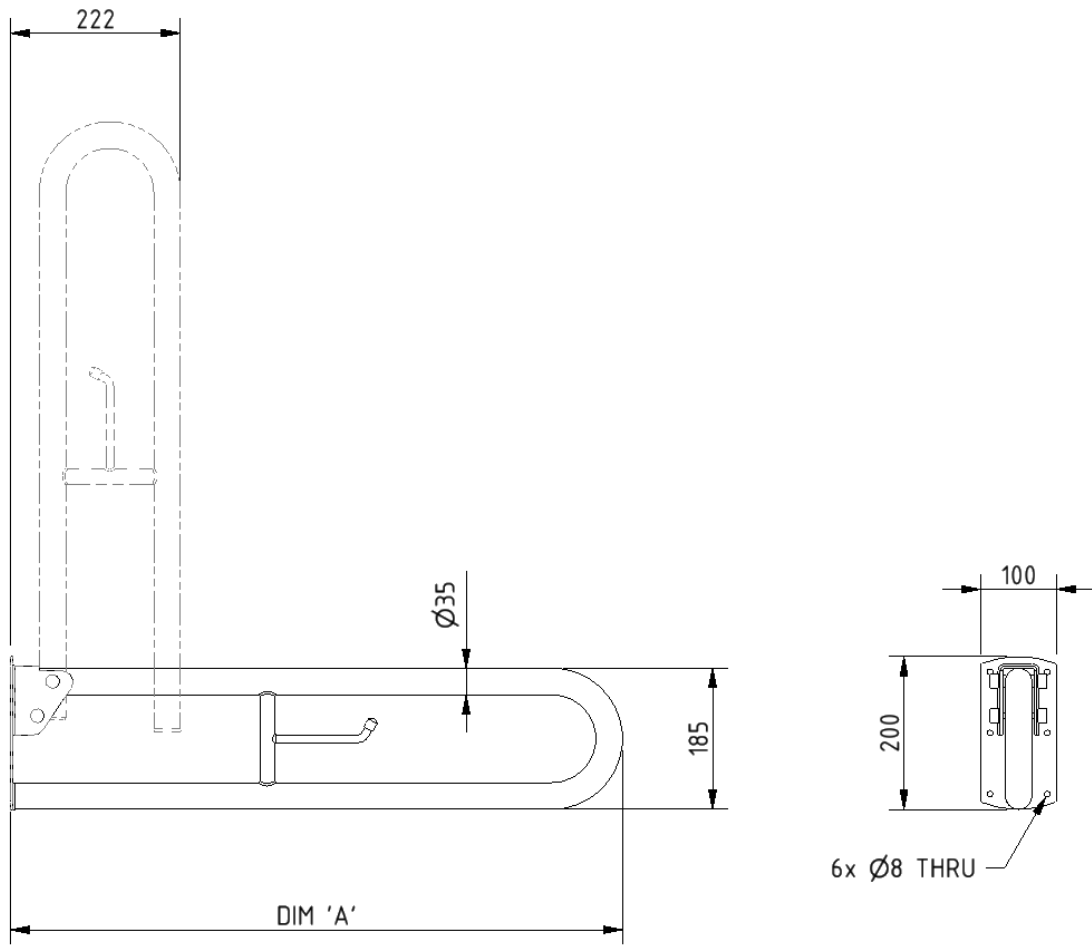
112055/\*\*  
DDGR-B/\*\*

Replace \*\* with finish option code above e.g., DDGR-B/DB

### Disclaimer

NYMAS Group makes every effort to ensure that the information provided on this data sheet is correct. However, we cannot guarantee this, and accept no liability for any information or advice given on this data sheet.

## Dimensions (mm)



PRODUCT CODE	112055/**	DDGR-B/**
DIM 'A'	550	800