

Close coupled Doc M ware set



Product details

Warranty: See individual products

Doc M compliant: Yes

Suitable for wet areas: Yes

Features

- Complies with Part M of the Building Regulations
- Close coupled pan & cistern assembly
- WRAS approved inlet valve and syphon

Finish options

WH

White
RAL 9016

DB

Dark blue
RAL 5011

DG

Dark grey
RAL 7016

GY

Grey
RAL 7005

Product description

Close coupled Doc M ware set, pan & cistern assembly, ring only seat

Close coupled Doc M ware set, pan & lockable cistern assembly, ring only seat

Close coupled Doc M ware set, pan & cistern assembly, seat and lid

Product code

WARESET/**

WARESET/LC/**

WARESET/AV/**

Replace ** with finish option code above e.g., WARESET /DB

Please note WARESET/AV/** is only available in DB and WH finishes

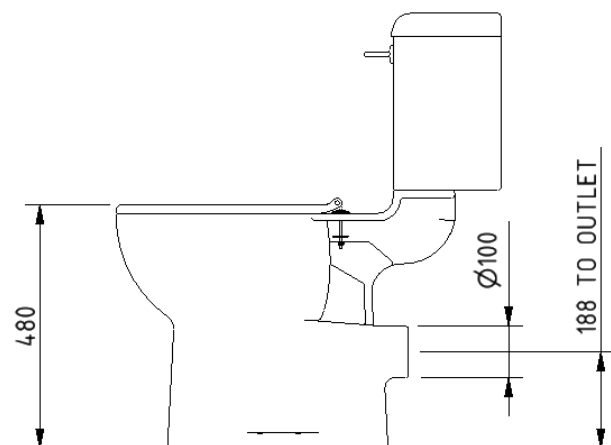
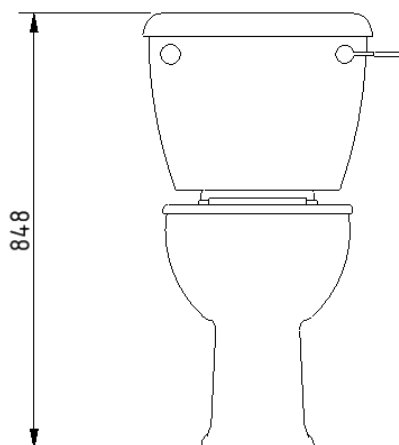
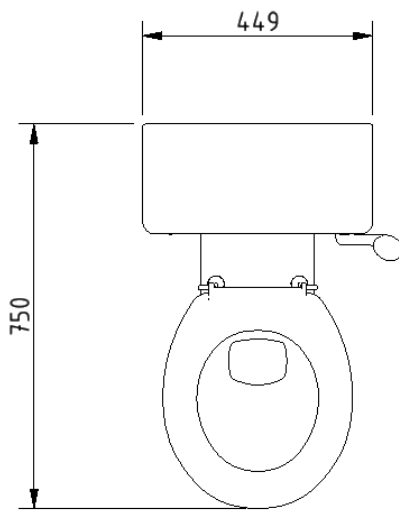
Disclaimer

NYMAS Group makes every effort to ensure that the information provided on this data sheet is correct. However, we cannot guarantee this, and accept no liability for any information or advice given on this data sheet.

Pack contents

- 1 x Close coupled box rim Doc M pan
- 1 x Close coupled cistern for box rim pan (optional lockable lid - WARESET/LC/**)
- 1 x Close coupled cistern fitting pack with Doc M spatula lever
- 1 x Ring only toilet seat (Option with lid - WARESET/AV/**)

Dimensions (mm)



Close coupled box rim Doc M pan



Product details

Warranty:	Lifetime
Max rated load:	n/a
Doc M compliant:	Yes
Suitable for wet areas:	Yes

Features

- Extended projection to aid compliance with Part M of the Building Regulations.
- UKCA and CE compliant
- Comfort height to allow easier side transfer from wheelchair

Finish options

WH

White
RAL 9016

Product description

Close coupled box rim Doc M pan, white

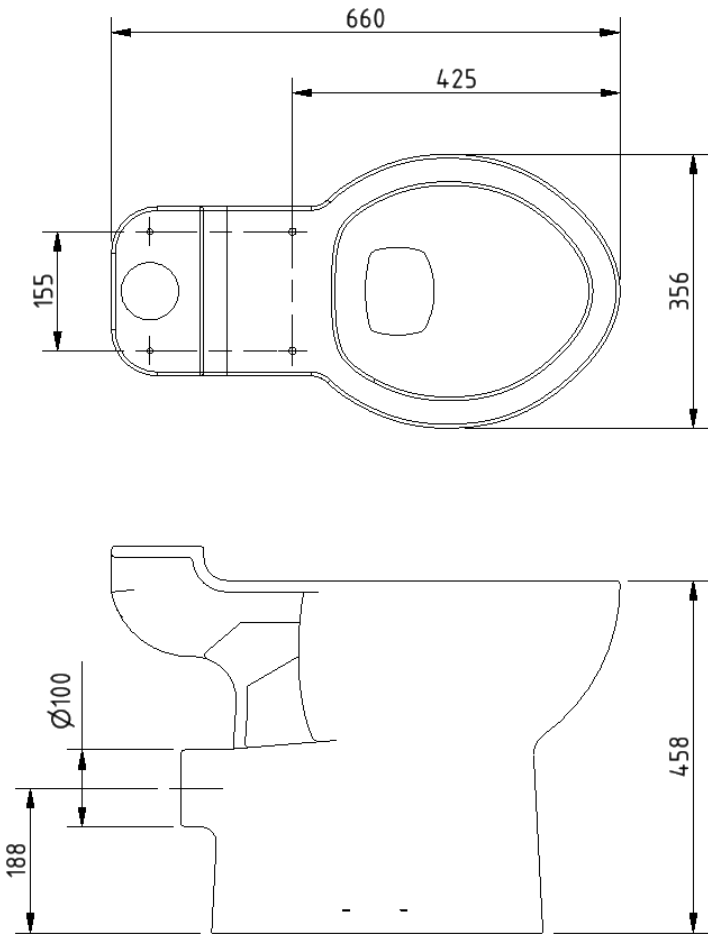
Product code

B-BWPANCC2-1

Disclaimer

NYMAS Group makes every effort to ensure that the information provided on this data sheet is correct. However, we cannot guarantee this, and accept no liability for any information or advice given on this data sheet.

Dimensions (mm)



Close coupled cistern for box rim pan



Product details

Warranty: Lifetime

Max rated load: n/a

Doc M compliant: Yes

Suitable for wet areas: Yes

Features

- Complies with Part M of the Building Regulations
- UKCA & CE compliant
- Suitable for front lever
- Bottom inlet
- Universal - either left or right handed
- Lockable lid option

Finish options

WH

White
RAL 9016

Product description

Close coupled cistern for box rim pan

Close coupled cistern with lockable lid for box rim pan

Product code

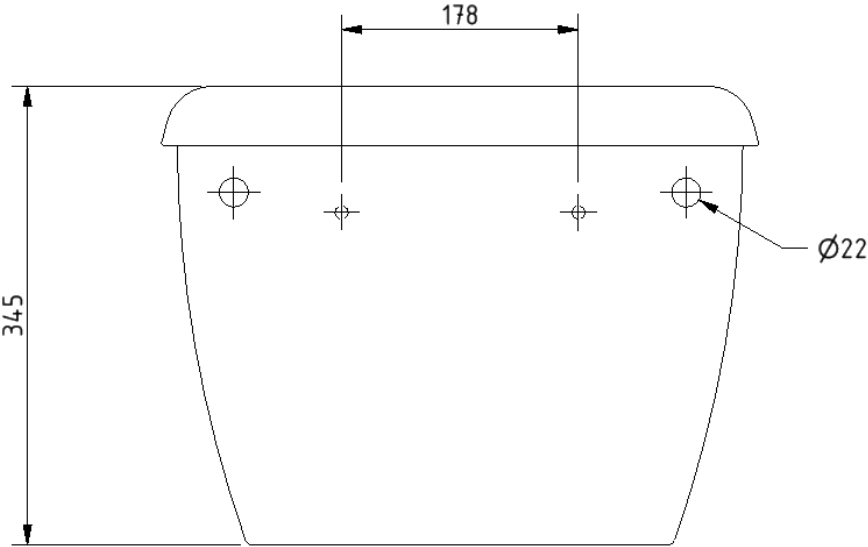
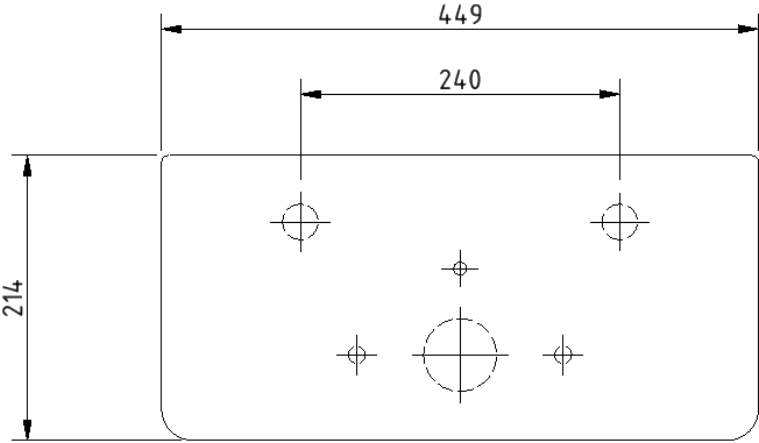
NY01-SW-11090-WH

NY01-SW-11099-WH

Disclaimer

NYMAS Group makes every effort to ensure that the information provided on this data sheet is correct. However, we cannot guarantee this, and accept no liability for any information or advice given on this data sheet.

Dimensions (mm)



Toilet seat, ring only, stainless steel pillar hinge



Product details

Warranty:	2 years
Max rated load:	150 kg
Doc M compliant:	Yes
Suitable for wet areas:	Yes

Features

- Complies with Part M of the Building Regulations
- Anti-bacterial, strong and durable Duroplast seat
- Ergonomic and comfortable shape
- Stainless steel hinge
- Adjustable locating buffers
- Fits close coupled, low level, back to wall and wall hung pans

Finish options



WH

White
RAL 9016



DB

Dark blue
RAL 5011



DG

Dark grey
RAL 7016



GY

Grey
RAL 7005

Product description

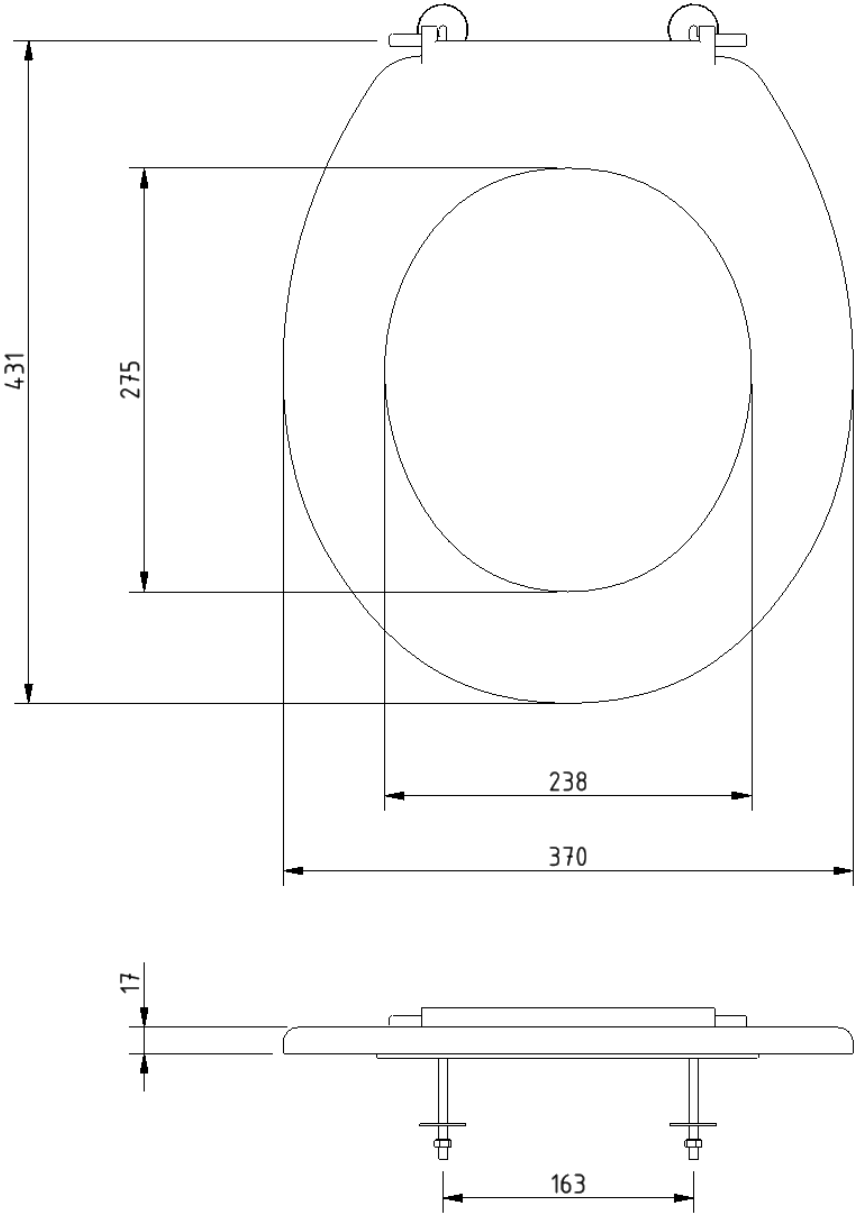
Product code

Toilet seat, ring only, stainless steel pillar hinge, dark blue (RAL 5011)	260015/DB
Toilet seat, ring only, stainless steel pillar hinge, dark grey (RAL 7016)	260015/DG
Toilet seat, ring only, stainless steel pillar hinge, grey (RAL 7005)	260015/GY
Toilet seat, ring only, stainless steel pillar hinge, white (RAL 9016)	260015/WH

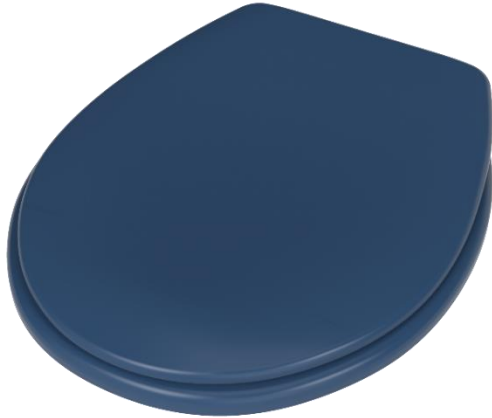
Disclaimer

NYMAS Group makes every effort to ensure that the information provided on this data sheet is correct. However, we cannot guarantee this, and accept no liability for any information or advice given on this data sheet.

Dimensions (mm)



Toilet seat with stainless steel hinge and lid



Product details

Warranty:	2 years
Max rated load:	150 kg
Doc M compliant:	No
Suitable for wet areas:	Yes

Features

- Anti-bacterial, strong and durable Duroplast seat
- Ergonomic and comfortable shape
- Stainless steel hinge
- Adjustable locating buffers
- Fits close coupled, low level, back to wall and wall hung pans

Finish options

WH

White
RAL 9016

DB

Dark blue
RAL 5011

Product description

Toilet seat with lid, stainless steel pillar hinge, dark blue (RAL 5011)
Toilet seat with lid, stainless steel pillar hinge, white (RAL 9016)

Product code

260016/DB
260016/WH

Disclaimer

NYMAS Group makes every effort to ensure that the information provided on this data sheet is correct. However, we cannot guarantee this, and accept no liability for any information or advice given on this data sheet.

Dimensions (mm)

