

Stainless steel lift and lock hinged support rail



Product details

Warranty:	5 years
Max rated load:	135 kg
Doc M compliant:	Yes
Suitable for wet areas:	Yes

Features

- Complies with Part M of the Building Regulations
- Lift and lock folding mechanism
- Non-corrosive stainless steel construction
- Toilet roll holder (optional)

Finish options



White
RAL 9016



Dark blue
RAL 5011



Dark grey
RAL 7016



Grey
RAL 7005



Satin
Stainless Steel



Polished
Stainless Steel

Product description

Hinged lift and lock support rail, stainless steel, 650mm
Hinged lift and lock support rail, stainless steel, 800mm,

Product code

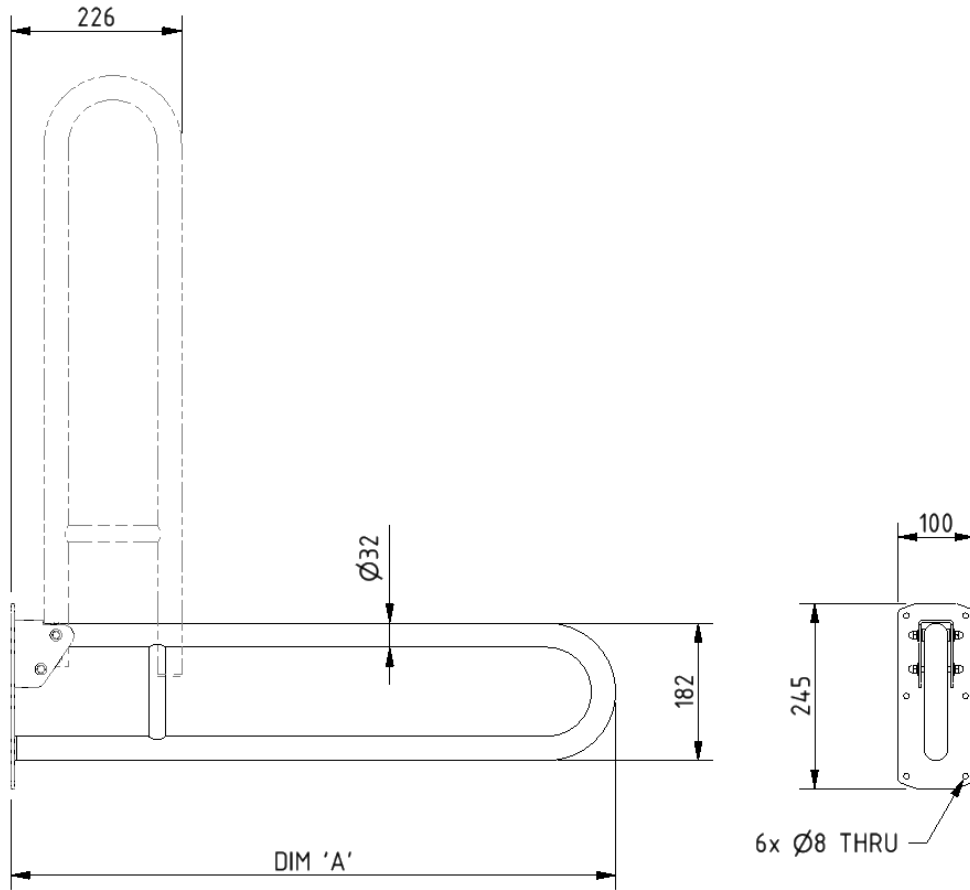
211865/**
211880/**

Replace ** with finish option code above e.g., 211880/DB

Disclaimer

NYMAS Group makes every effort to ensure that the information provided on this data sheet is correct. However, we cannot guarantee this, and accept no liability for any information or advice given on this data sheet.

Dimensions (mm)



PRODUCT CODE	211865/**	211880/**
DIM 'A'	650	800