



LIFE SANITARYWARE
PRODUCT DATA SHEETS

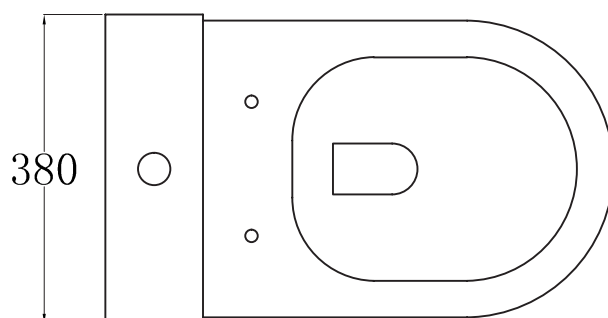
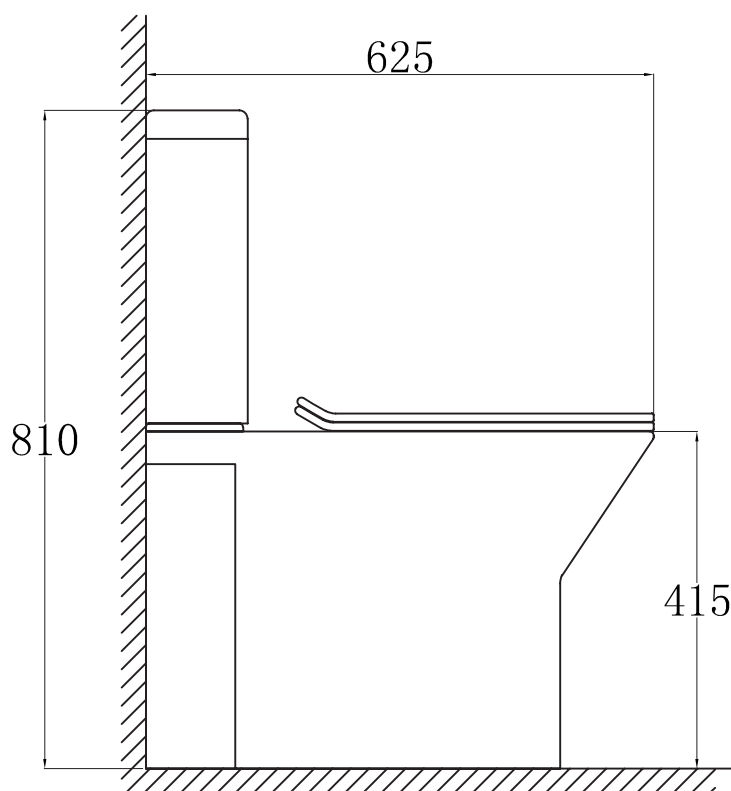
LIFE

Rimless Open Back Pan & Soft Close Seat

Product Code LIFE001 / LIFE003 / LIFE005



Dimensions
(measurements in mm)



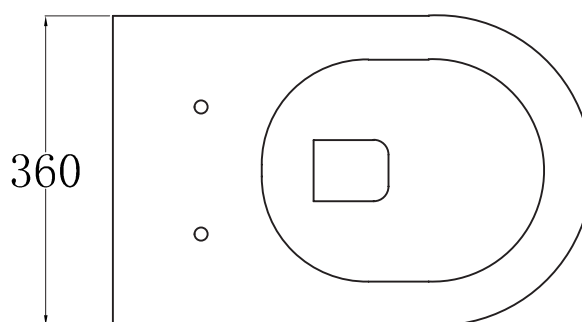
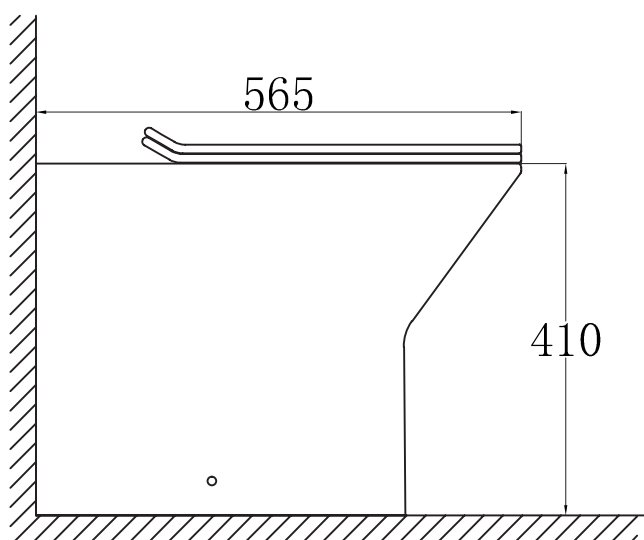
LIFE

Rimless Back To Wall Pan & Soft Close Seat

Product Code LIFE006 / LIFE005



Dimensions
(measurements in mm)



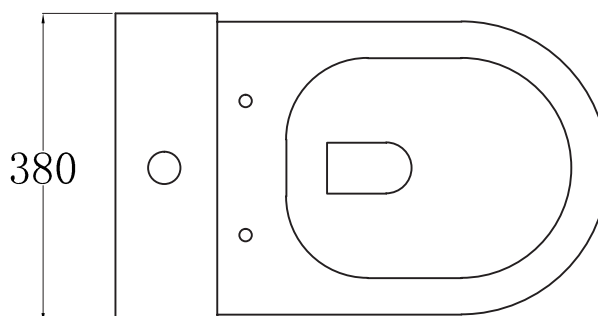
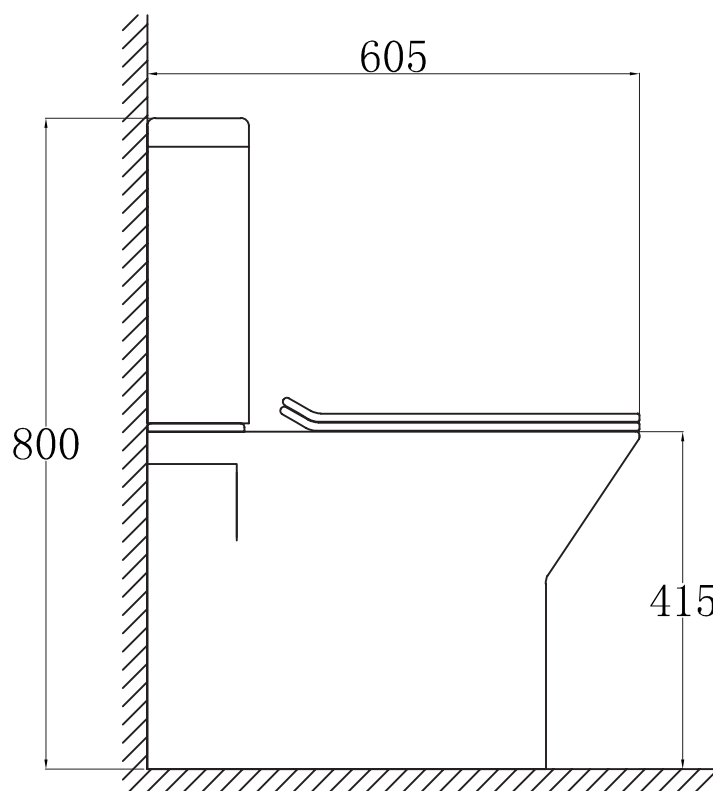
LIFE

Rimless Closed Back Pan & Soft Close Seat

Product Code LIFE002 / LIFE004 / LIFE005



Dimensions
(measurements in mm)



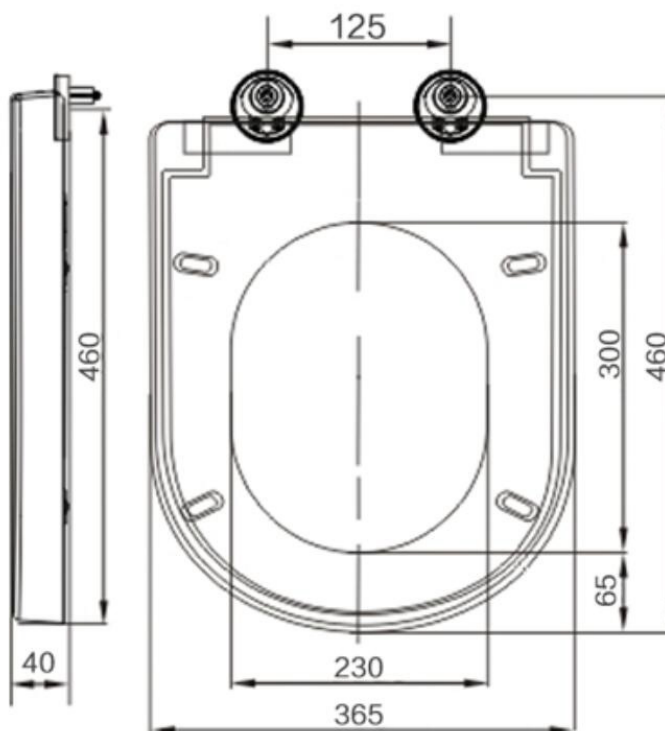
LIFE

Slim Heavy Weight Soft Close Seat

Product Code LIFE005



Dimensions
(measurements in mm)



LIFE

Semi-Recessed Basin

Product Code LIFE007



Dimensions
(measurements in mm)

