

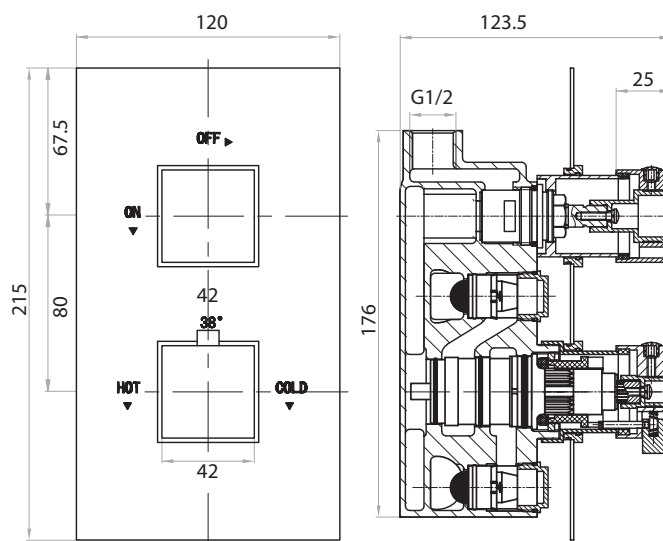
TWIN SQUARE CONCEALED VALVE WITH DIVERTER

Twin Square Concealed Valve With Diverter

Product Code INTERNAL005



Dimensions
(measurements in mm)



Operating Pressure

- 0.2 Bar

Features

- Manufactured from solid brass.
- Suitable for water systems between 0.2 to 4 bar pressure.
- Suitable for all water systems.
- Thermostatically controlled.
- Built-in anti-scald device.
- Suitable for use with shower pumps.
- 10 year guarantee.

