

SINGLE ROUND PUSH BUTTON CONCEALED VALVE

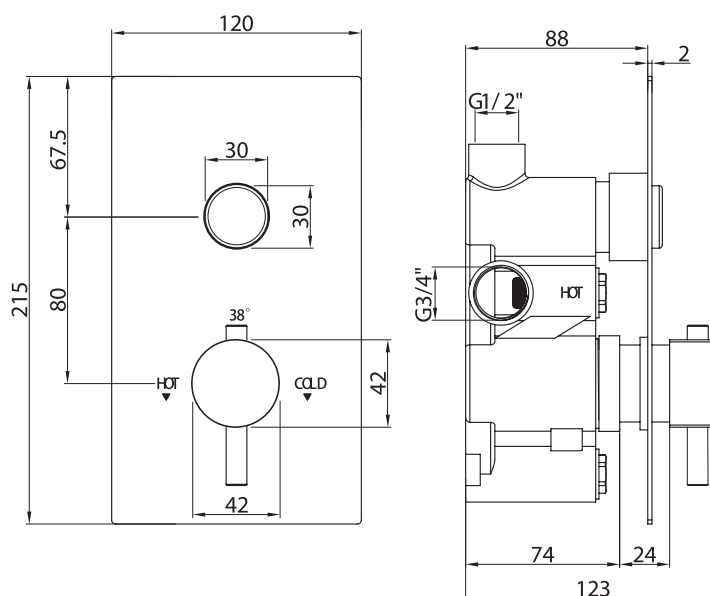
Single Round Push Button Concealed Valve

Product Code INTERNAL011



Dimensions (measurements in mm)

Installation must sit within an 88mm cavity.



Operating Pressure

- 1 Bar

Features

- Manufactured from solid brass.
- Suitable for water systems between 1 to 4 bar pressure.
- Suitable for all water systems.
- Thermostatically controlled.
- Built-in anti-scald device.
- Suitable for use with shower pumps.
- Lifetime guarantee.

