

# PRODUCT DATA SHEET

## Denza Wrap Over Soft Close Seat

Product Code: DEN007



**SCUDO**  
BEAUTIFUL BATHROOMS

0330 124 7290

sales@scudo.co.uk - www.scudo.co.uk

Scudo is the trading name of Harrison Bathrooms Ltd. Whilst we endeavour to ensure that the product information is accurate we accept no liability for any information given. All images are for illustration purposes only. Product images and specification are subject to change. Measurement are in millimetres and are nominal.

### Product Measurements

|                 |       |
|-----------------|-------|
| Product Weight: | 2kg   |
| Product Width:  | 362mm |
| Product Height: | 45mm  |
| Product Depth:  | N/A   |
| Product Length: | 400mm |

### Product Transportation

|                    |               |
|--------------------|---------------|
| Barcode:           | 5060500642297 |
| Country of Origin: | China         |
| Comodity Code:     | 3922200000    |

### Primary Packed Measurements

|                  |       |
|------------------|-------|
| Packaged Weight: | 2.2kg |
| Packaged Length: | 370mm |
| Packaged Width:  | 50mm  |
| Packaged Height: | 410mm |

### Packaging Weight

|          |        |
|----------|--------|
| Card:    | 0.5kg  |
| Paper:   | N/A    |
| Wood:    | N/A    |
| Plastic: | 0.02kg |

### General Information

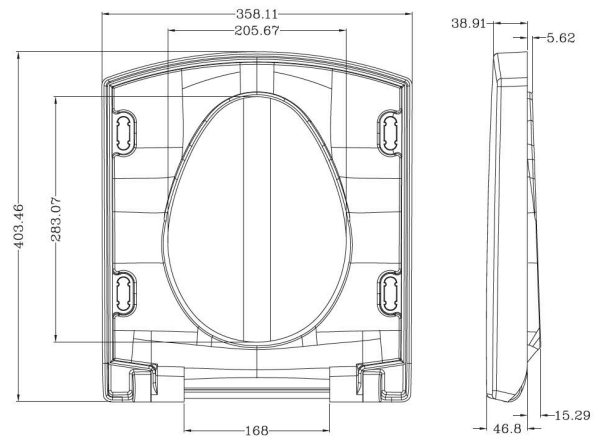
|                        |            |
|------------------------|------------|
| Construction Material: | ABS        |
| Installation Type:     | Toilet Fix |
| Colour / Finish:       | White      |

### Toilet Seat Specification

|                    |          |
|--------------------|----------|
| Quick Release:     | Yes      |
| Soft Close:        | Yes      |
| Top or Bottom Fix: | Top Fix  |
| Shape:             | Square   |
| Adjustment:        | 70-170mm |

### Compliance DOP

N/A



## Dimensions

(measurements in mm)



### LIFETIME GUARANTEE

We are confident in our products and we want our customer to be, we proudly give a lifetime guarantee on our taps and showers, further details can be found on our website