

# PRODUCT DATA SHEET

## Tablet Mirror Black Frame 500x800

Product Code: MIRROR011



**SCUDO**  
BEAUTIFUL BATHROOMS

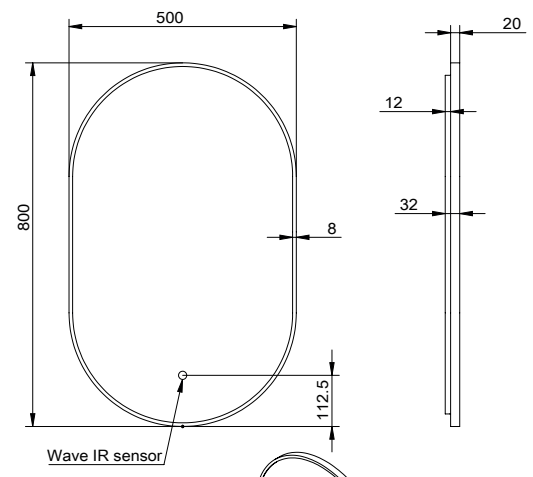
0330 124 7290

sales@scudo.co.uk - www.scudo.co.uk

Scudo is the trading name of Harrison Bathrooms Ltd. Whilst we endeavour to ensure that the product information is accurate we accept no liability for any information given. All images are for illustration purposes only. Product images and specification are subject to change. Measurements are in millimetres and are nominal.

Product Name	MIRROR011
Product Description	Tablet Mirror Black Frame 500x800
Product Transportation	
Barcode	5060964936154
Country of origin	CH
Commodity code	7009920000
Product Measurements	
Product Weight (KG)	6.4
Product Width (mm)	500
Product Height (mm)	800
Product Depth (mm)	32
Product Length (mm)	0
Primary Packed Measurements	
Packaged Weight	10
Packed Length	900
Packed Width	610
Packed Height	80

General Information	
Construction Material	Aluminum / Mirror Glass / PMMA (plastic)
Installation type	Wall Mounted
Colour / Finish	Brushed Brass/Mirror
Mirror Attributes	
Bulb Watts	30.8
Bulb Type	LED
Voltage	230
Switch Type	INFRARED
Shaving Socket	NO
Demister	YES
Clock	NO
Hang Type	LANDSCAPE/PORTRAIT
Light Colour	COOL/WARM WHITE
Lumens	2100
Light Temperature	2700/6500K
Dimmable	YES
Energy Rating	F
Internal Shelves	NO
Down Light	NO
Bluetooth Speaker	NO
IP Rating	IP44



## Dimensions (measurements in mm)



### LIFETIME GUARANTEE

We are confident in our products and we want our customer to be, we proudly give a lifetime guarantee on our taps and showers, further details can be found on our website