

PRODUCT DATA SHEET

Round Brass Body Valve, Riser Kit and Fast Fix Brackets

Product Code: EXPOSEDKIT002

Product Name	EXPOSEDKIT002
Product Description	Round Brass Body Valve, Riser Kit and Fast Fix Brackets
Product Transportation	
Barcode	5060500640019
Country of origin	CH
Commodity code	8481801190
Product Measurements	
Product Weight (KG)	1.8
Product Width (mm)	590
Product Height (mm)	256.6
Product Depth (mm)	74
Product Length (mm)	40.5
Primary Packed Measurements	
Packaged Weight	2.025
Packed Length	62.5
Packed Width	15
Packed Height	7.5
Packaging Weights	
Card (kg)	0.109
Paper (kg)	0
Wood (kg)	0
Plastic (kg)	0
Compliance DOP	HBDOC042 , HBDOC043

General Information	
Construction Material	Brass / Stainless Steel / Plastic
Installation type	Wall Mounted
Colour / Finish	Chrome
Tap / Shower Attributes	
WRAS Approved	Yes
TMV Approved	No
Minimum Operating Pressure (bar)	0.5
Maximum Operating Pressure (bar)	5
Flexible Tails Included	No
Number of tap holes required	N/a
Handle Type	Round
Swivel Spout	Yes
Inlet Connection	3/4 BSP
Outlet Connection	1/2 BSP
Tap Hole Diameter (mm)	N/a
Tap Type description	Exposed Bar Valve
Includes Waste	No
Valve / Cartridge Type	Thermostatic & Quarter Turn Cartridge
Cartridge Spare code	N/a
Flow Rates	
0.2bar (l/min)	6
0.5bar (l/min)	7
1bar (l/min)	12
2bar (l/min)	18.5
3bar (l/min)	22

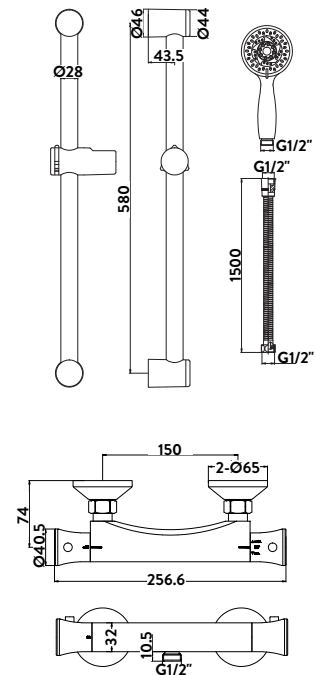


SCUDO
BEAUTIFUL BATHROOMS

0330 124 7290

sales@scudo.co.uk - www.scudo.co.uk

Scudo is the trading name of Harrison Bathrooms Ltd. Whilst we endeavour to ensure that the product information is accurate we accept no liability for any information given. All images are for illustration purposes only. Product images and specification are subject to change. Measurement are in millimetres and are nominal.



Dimensions

(measurements in mm)



LIFETIME GUARANTEE

We are confident in our products and we want our customer to be, we proudly give a lifetime guarantee on our taps and showers, further details can be found on our website

PRODUCT DATA SHEET

Round Brass Body Valve, Riser Kit and Fast Fix Brackets

Product Code: EXPOSEDKIT002

Showering - Specification	
Anti-Scald	Yes
Shower Diverter function	Yes
Number of outlets	1
Thermostatic Temperature control	Yes
Cool Touch	No
Shower Handset functions	3
Minimum Working Pressure	0
Maximum Working Pressure	0
Shape	Round
Pipe Centres (mm)	150
Inlet Connection	3/4 BSP
Outlet Connection	1/2 BSP
Adjustable	Yes
Adjustment (mm)	580
Handle Type	Round
Spares Codes	
Diverter Spares	0
Thermostatic cartridge Spares	0

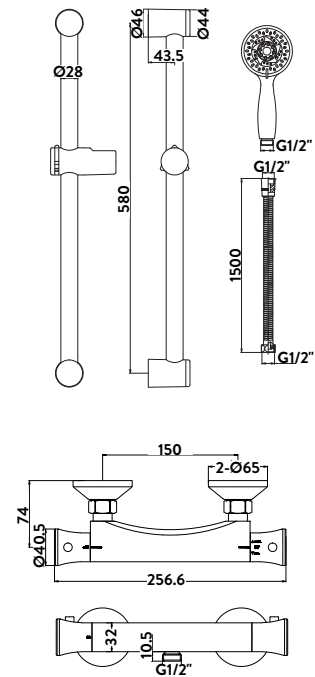


SCUDO
BEAUTIFUL BATHROOMS

0330 124 7290

sales@scudo.co.uk - www.scudo.co.uk

Scudo is the trading name of Harrison Bathrooms Ltd. Whilst we endeavour to ensure that the product information is accurate we accept no liability for any information given. All images are for illustration purposes only. Product images and specification are subject to change. Measurement are in millimetres and are nominal.



Dimensions

(measurements in mm)



LIFETIME GUARANTEE

We are confident in our products and we want our customer to be, we proudly give a lifetime guarantee on our taps and showers, further details can be found on our website