

PRODUCT DATA SHEET

Thermostatic Shower Bar Valve

Product Code: BARVALVE003



SCUDO
BEAUTIFUL BATHROOMS

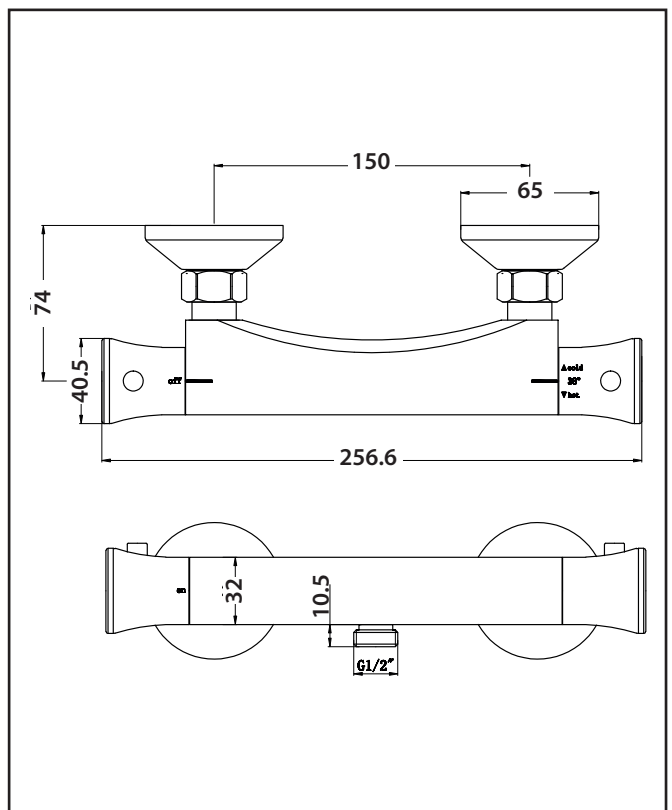
0330 124 7290

sales@scudo.co.uk - www.scudo.co.uk

Scudo is the trading name of Harrison Bathrooms Ltd. Whilst we endeavour to ensure that the product information is accurate we accept no liability for any information given. All images are for illustration purposes only. Product images and specification are subject to change. Measurement are in millimetres and are nominal.

Product Name	BARVALVE003
Product Description	Exposed Thermostatic Shower Valve
Product Transportation	
Barcode	5060500640057
Contry of origin	CH
Comodity code	8481804090
Product Measurements	
Product Weight (KG)	1.15
Product Width (mm)	256.6
Product Height (mm)	40.5
Product Depth (mm)	90.25
Product Length (mm)	0
Primary Packed Measurements	
Packaged Weight	1.236
Packed Length	344
Packed Width	80
Packed Height	70
Packaging Weights	
Card (kg)	0.098
Paper (kg)	8
Wood (kg)	n/a
Plastic (kg)	0.008
Compliance DOP	HBDOC042 , HBDOC043

General Information	
Construction Material	Brass
Installation type	Wall Mounted
Colour / Finish	Chrome
Tap / Shower Attributes	
WRAS Approved	0
TMV Approved	0
Minimum Operating Pressure (bar)	0.5Bar
Maximum Operating Pressure (bar)	0
Flexible Tails Included	0
Number of tap holes required	0
Handle Type	0
Swivel Spout	0
Inlet Connection	0
Outlet Connection	0
Tap Hole Diameter (mm)	0
Tap Type description	0
Includes Waste	0
Valve / Cartridge Type	0
Cartridge Spare code	0
Flow Rates	
0.2bar (l/min)	0
0.5bar (l/min)	0
1bar (l/min)	0
2bar (l/min)	0
3bar (l/min)	0



Dimensions
(measurements in mm)



LIFETIME GUARANTEE

We are confident in our products and we want our customer to be, we proudly give a lifetime guarantee on our taps and showers, further details can be found on our website.

PRODUCT DATA SHEET

Product Code:



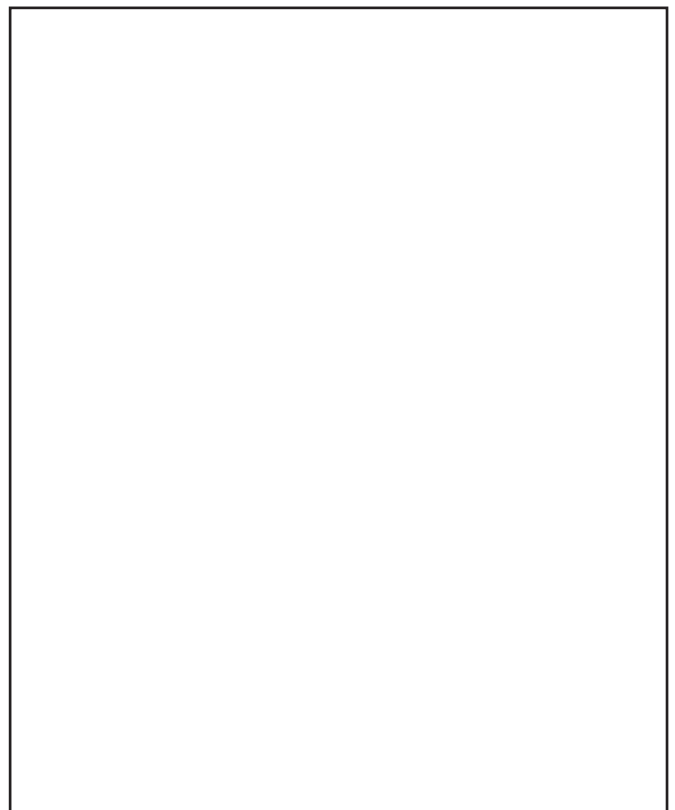
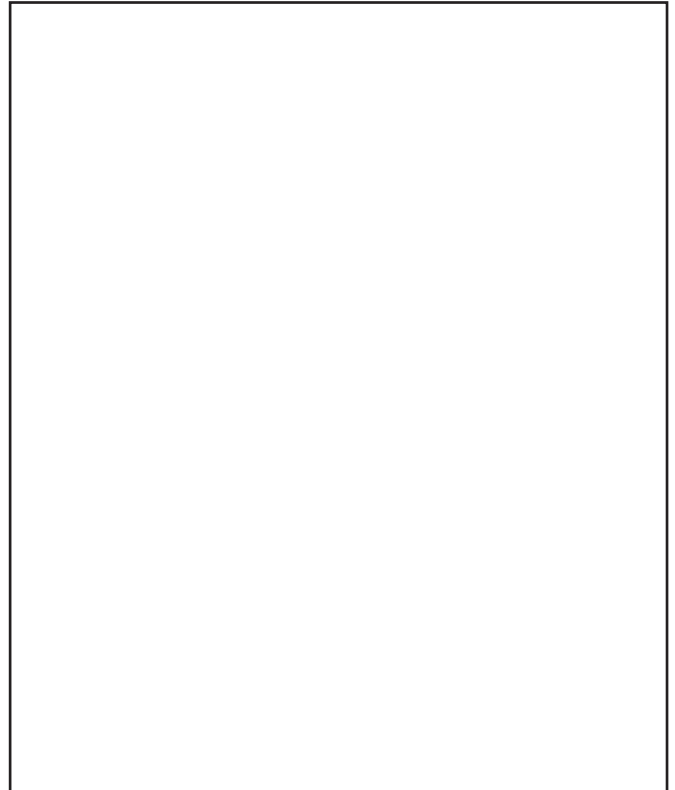
SCUDO
BEAUTIFUL BATHROOMS

0330 124 7290

sales@scudo.co.uk - www.scudo.co.uk

Scudo is the trading name of Harrison Bathrooms Ltd. Whilst we endeavour to ensure that the product information is accurate we accept no liability for any information given. All images are for illustration purposes only. Product images and specification are subject to change. Measurement are in millimetres and are nominal.

Showering - Specification	
Anti-Scald	Yes
Shower Diverter function	Yes
Number of outlets	1
Thermostatic Temperature control	Yes
Cool Touch	No
Shower Handset functions	1
Minimum Working Pressure	0.5
Maximum Working Pressure	5
Shape	Square
Pipe Centres (mm)	150
Inlet Connection	3/4 BSP
Outlet Connection	1/2 BSP Handset
Adjustable	Yes
Adjustment (mm)	935 - 1250
Handle Type	Square
Spares Codes	
Diverter Spares	T43004-08
Thermostatic cartridge Spares	H104



Dimensions
(measurements in mm)



LIFETIME GUARANTEE

We are confident in our products and we want our customer to be, we proudly give a lifetime guarantee on our taps and showers, further details can be found on our website.