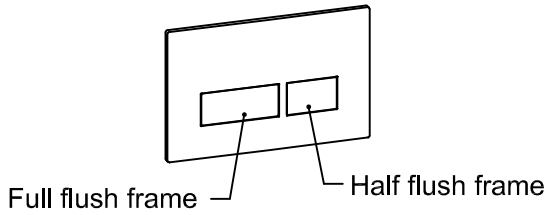
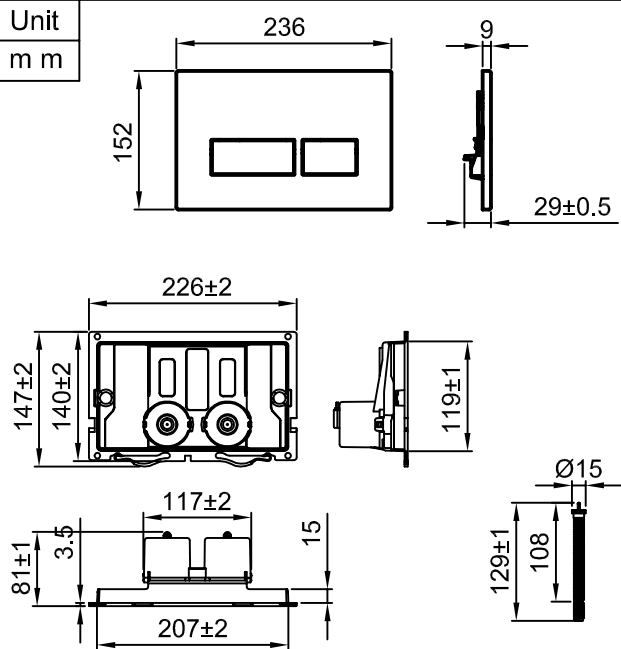
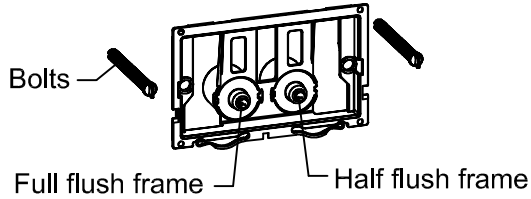


Installation

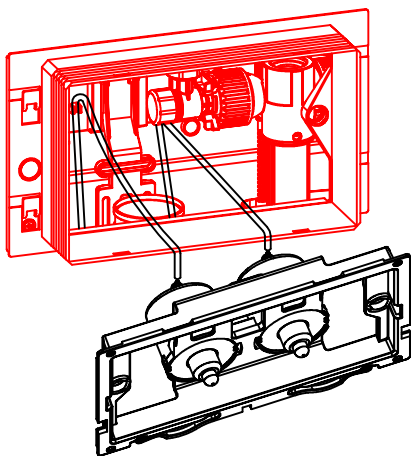
Flush Plate



Control system

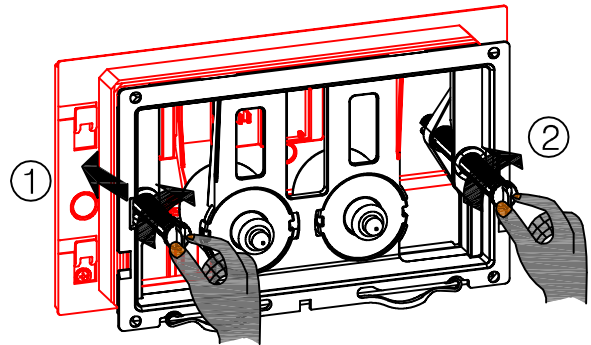


1



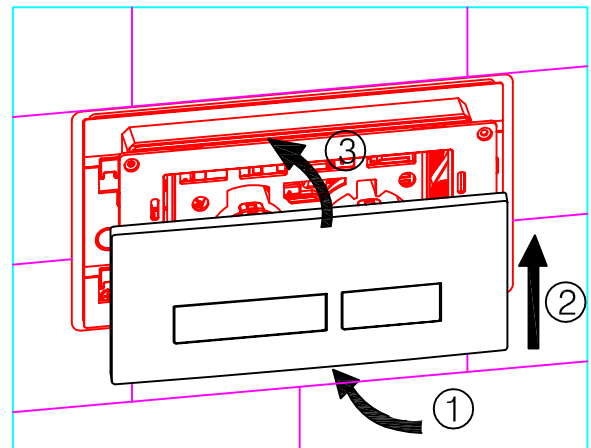
Connect the vacuum pipes to the appropriate fixings marked right & left.
Lift the spring clip to secure the flush plate into the frame.

2

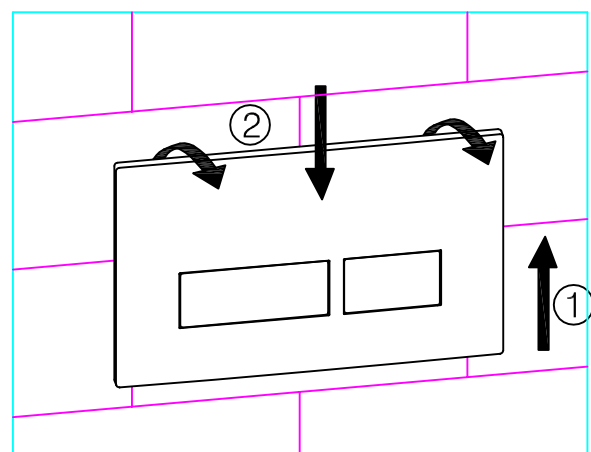


Secure the assembly using the bolts provided.

3



Once the toilet is installed and the front panel secured, fit the flush panel control.



Disassembly: As per illustration ①, push the button plate upward and then pull it out as per illustration ②.