

# Single Door Quadrant

## ASSEMBLY GUIDE

### IMPORTANT

- 1.. The cubicle can be constructed either way up, for left or right hand opening.
- 2.. These instructions and list of parts assume that installation is done against solid or tiled walls. Hollow or "Stud - partition" walls will require alternative fixings. Please consult a hardware supplier for the correct type. It may also be necessary to consult your tiling supplier about the correct method for drilling your tiles.
- 3.. Please check this product for damage prior to starting the installation. No claims can be made after the products have been fitted, or after fitting has commenced.
- 4.. This is a 2 person installation.
- 5.. Please note the minimum and maximum adjustment for this product are based on perfectly plumb walls.

### Tools Required *Please note hand tools **NOT** supplied.*



Drill



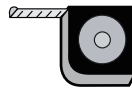
7mm Masonry Drill  
3.2mm HSS Drill



Spirit Level



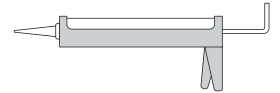
Pencil



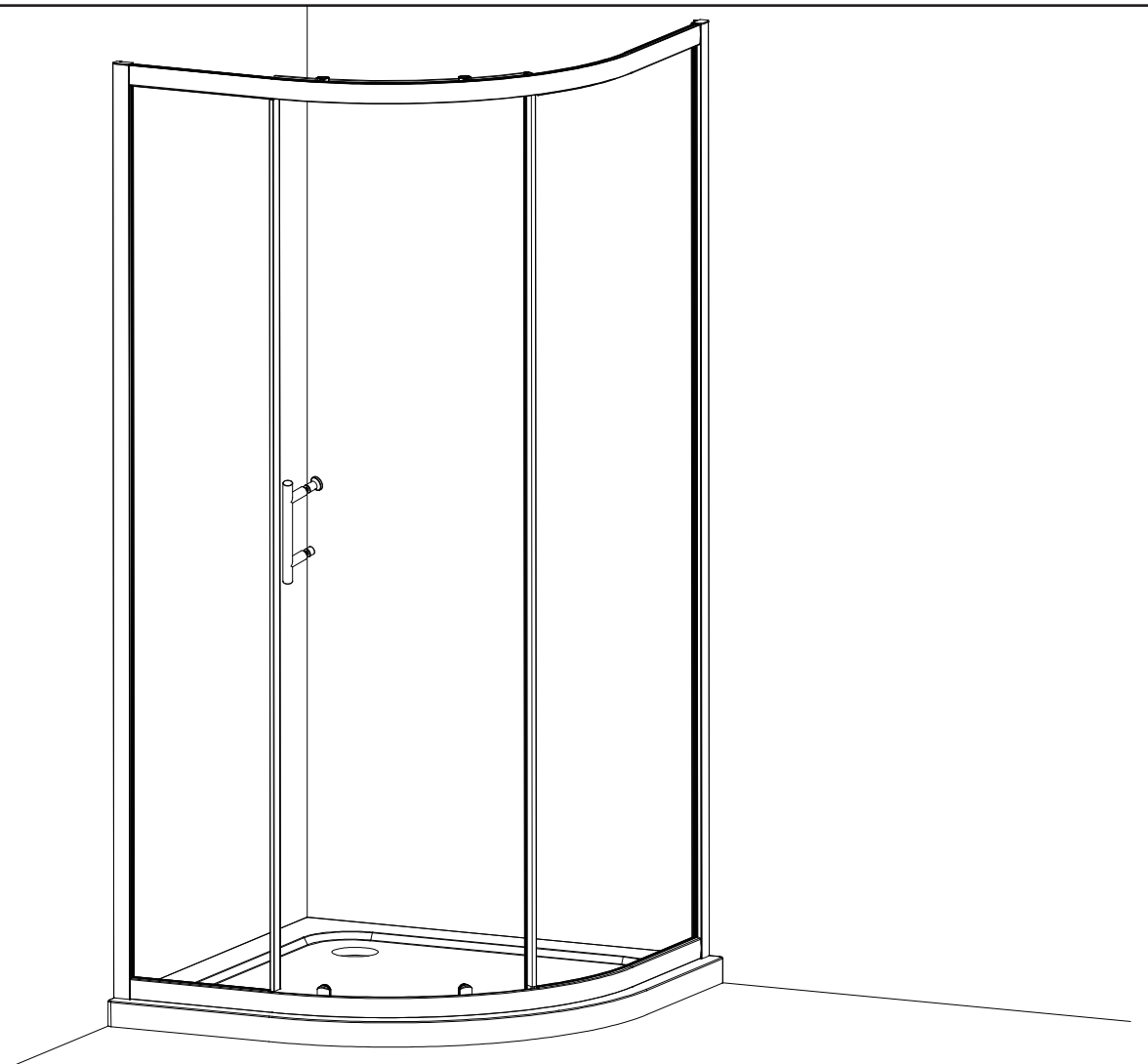
Tape Measure



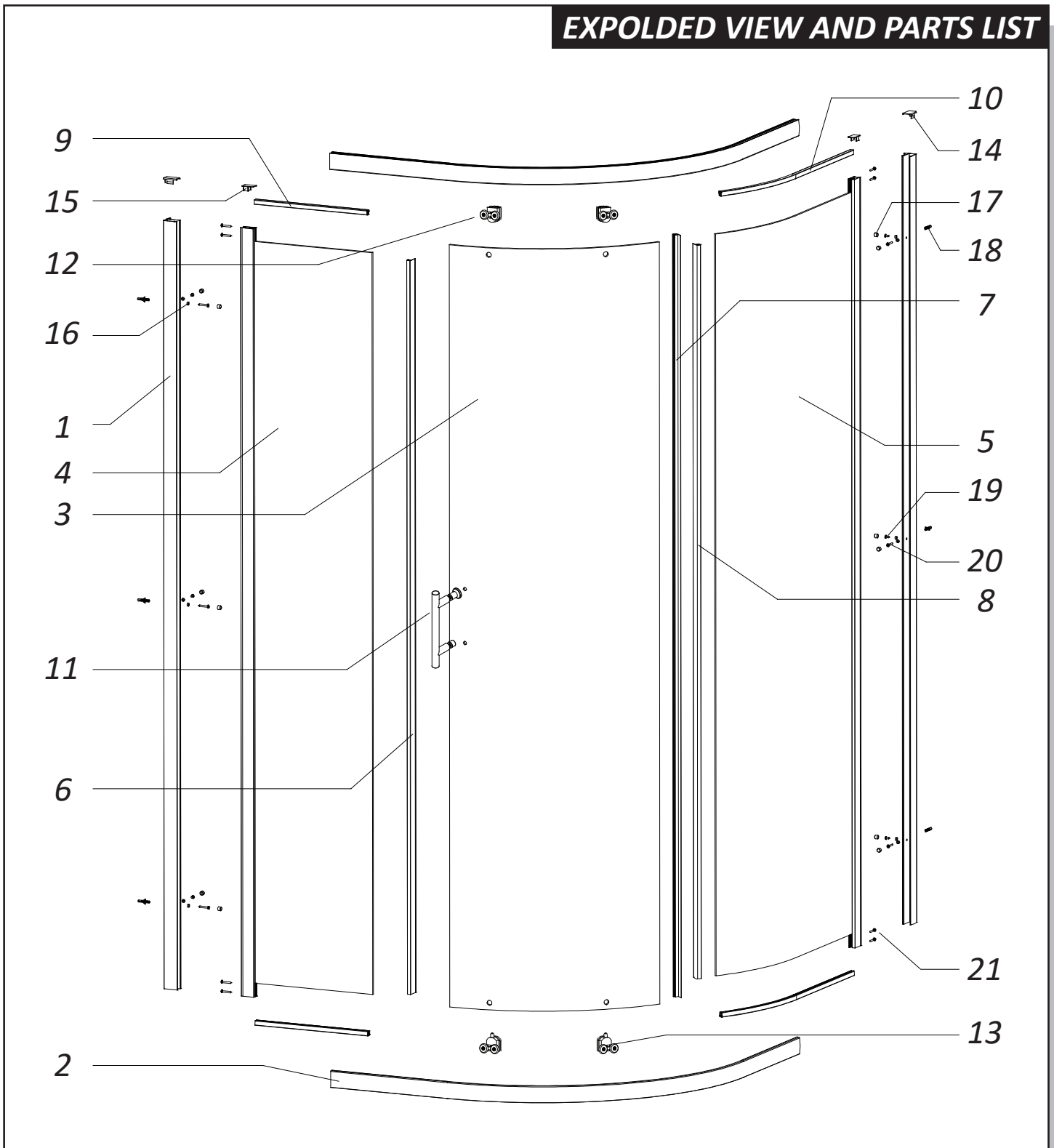
PH2 TYPE  
Screwdriver



Sealant Gun



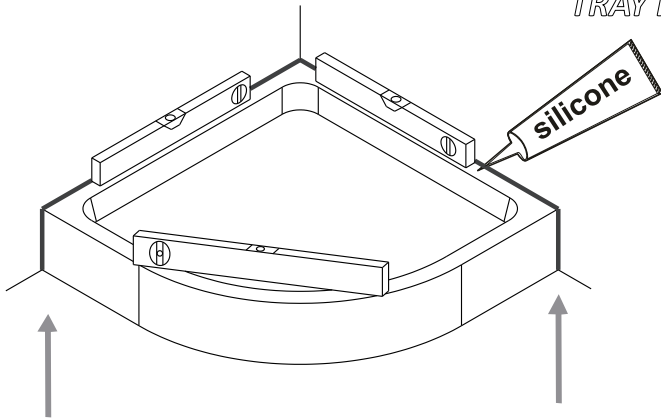
# EXPLODED VIEW AND PARTS LIST



## Parts List

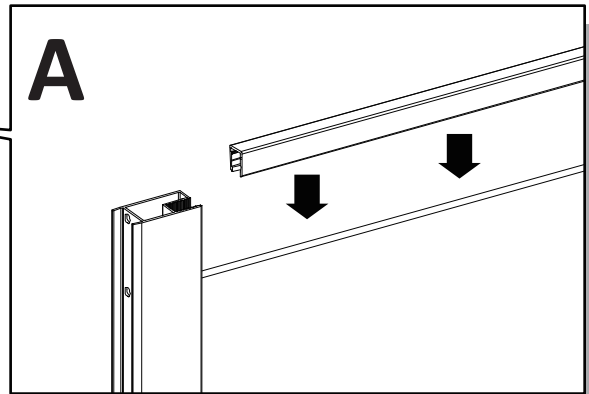
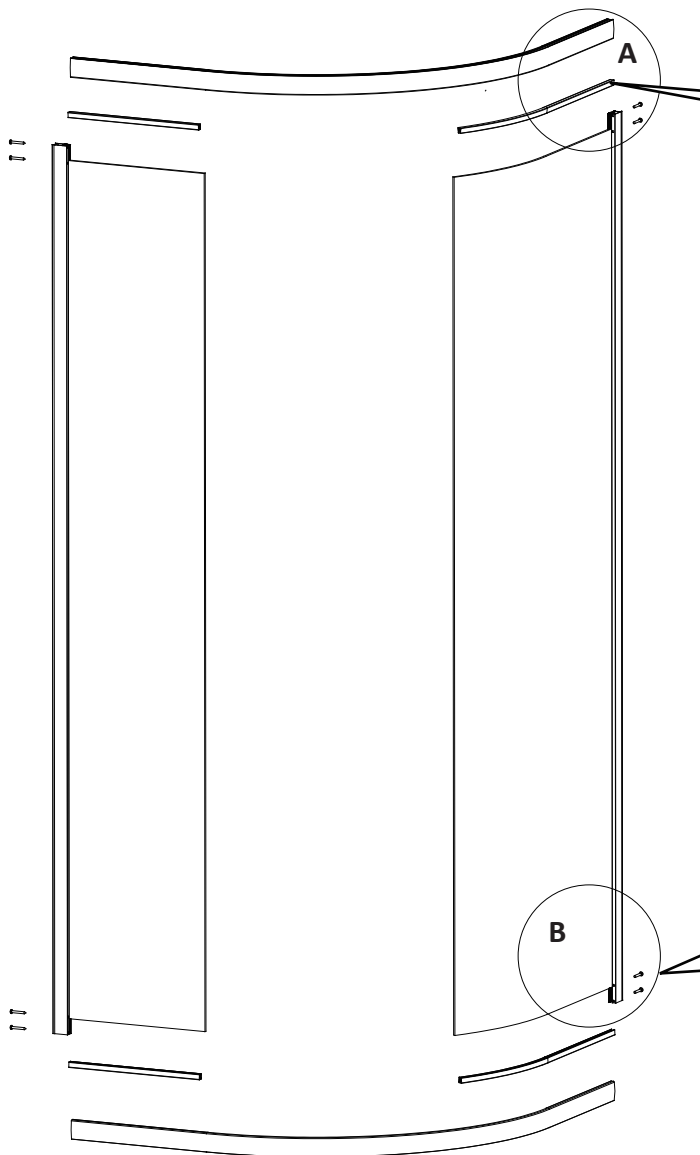
1	LR8654-S1S	Wall channel	2		12	S1HW22	Top Runner	2	
2	LR8656-S1QD90	Horizontal profile	2		13	S1HW23	Bottom Runner	2	
3	S1-GS-CD-600	Door Panel	1		14	S1PS04	Wall channel Cap - LH/RH	2	
4	S1-GS-FF-317	Straight Fixed Panel	1		15	S1PS05	Upright Profile Cap	2	
5	CC-GS-FF-526	Straight And Curved Fixed Panel	1		16	S1PS07	Screw Cup	12	
6	304B-1	Upright Seal 1767mm	1		17	S1PS08	Screw Cap	12	
7	304B-2	Upright Seal 1835mm	1		18	SBLTL001	Wall Plug	6	
8	310A-5-29	Upright Seal 1767mm	1		19	SBLTL003	ST3.5x12 Tapping Screw	6	
9	303A-3	U Shape Gasket	2		20	SBLTL013	ST4.0x30 Tapping Screw	6	
10	303A-13	U Shape Gasket	2		21	SBLTL014	ST4.0x45 Tapping Screw	8	
11	S1HW24	Handle	1						

*TRAY MUST BE SEALED FULLY AROUND  
WHERE THE TRAY MEETS THE WALL  
TRAY MUST BE 100% LEVEL IN ALL DIRECTIONS*



**TRAY MUST BE 100% LEVEL IN ALL DIRECTIONS  
TRAY MUST BE SEALED FULLY AROUND WHERE  
THE TRAY MEETS THE WALL**

*Ensure the shower tray is level in all directions and is properly sealed to the wall. The wall must be tiled down to the top edge of the tray. Do not angle out bottom tile.*

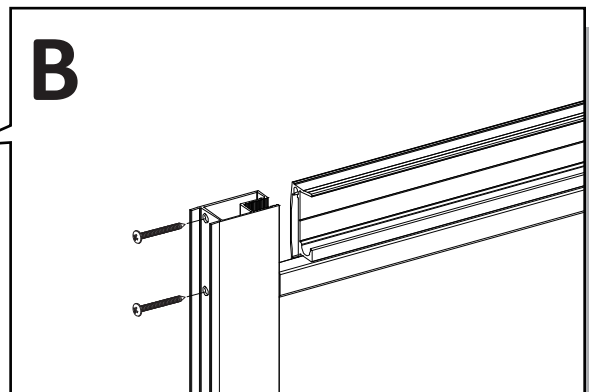


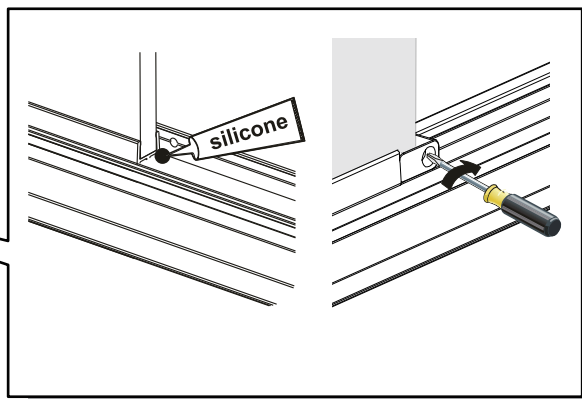
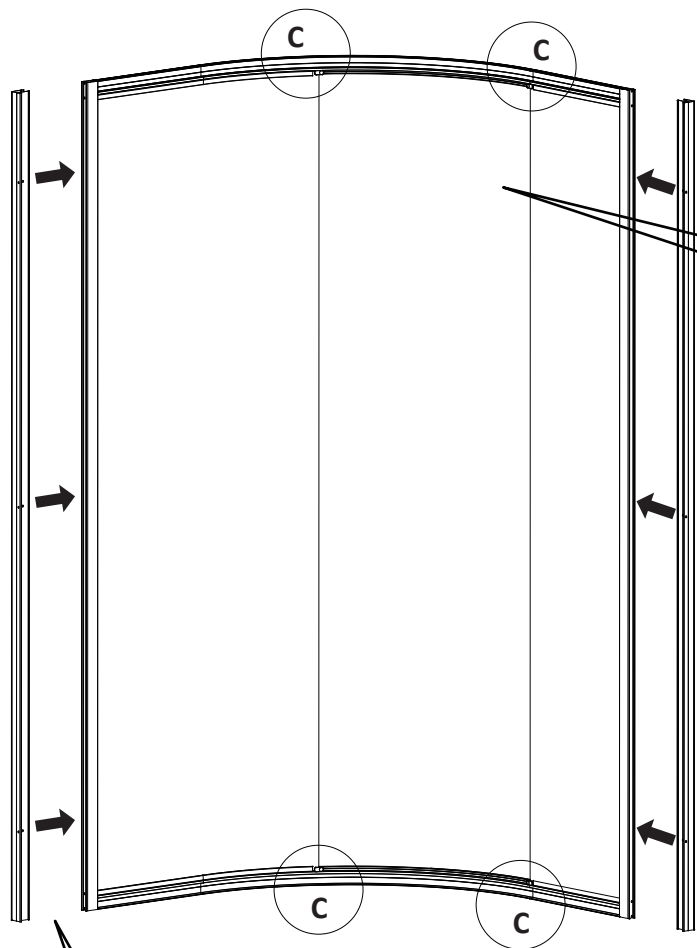
**Step A**

*Insert the gasket **303A** on the top and bottom of the fixed panel.*

**Step B**

*Fixed the horizontal profiles **LR8656-S1QD90** with fixed panels using screw **SBLTL014**.*





### Step C

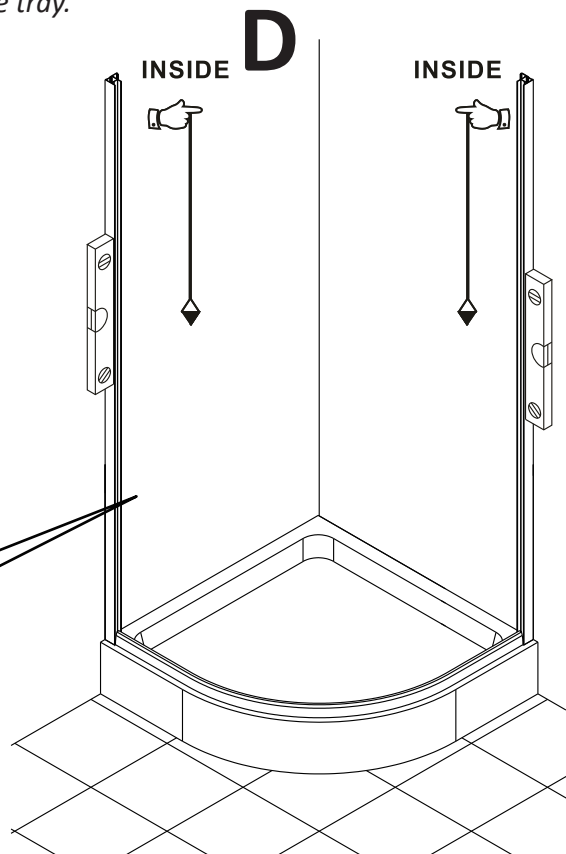
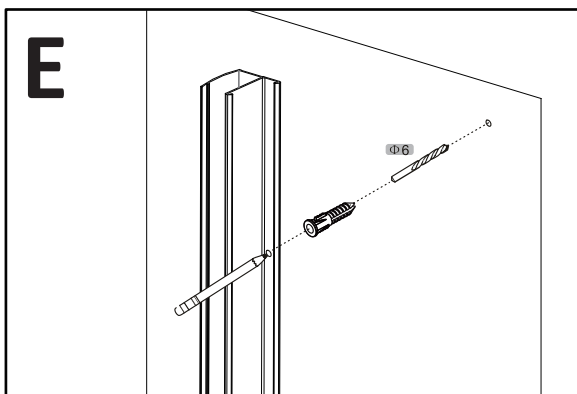
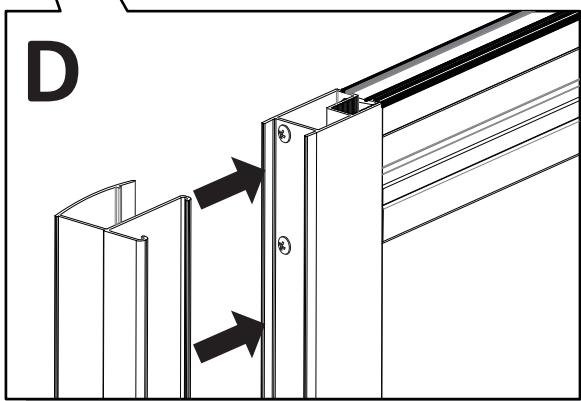
Put a small amount of silicone in the corner between the glass and the profile where the glass clips are fixed to the top and bottom profile. Then tighten the glass clips with screws as Fig.C shown, and put the glass clip caps on.

### Step D

Position the assembled door frame (with wall profile fully pushed into frame) onto the tray and decide on the step in from the edge of the tray to wall profiles. The wall profiles can be adjusted until door is positioned correctly on the tray.

### Step E

Position the wall profiles back on the tray ensuring the wall profiles are plumb, mark the position of the holes in the wall. Do this by marking the wall with a pencil through the pre-drilled holes in the wall profiles. Drill with 6mm masonry drill bit and insert wall plug **SBLTL001**. Slot wall profiles into the door frame, then lift door onto the tray.



## Step F

Fix the wall channel with screw cover ring **S1PS29** and screw **SBLTL0013** to wall.

## Step G

Install the top and bottom roller **S1HW22** / **S1HW23** to the top and bottom holes of the moving panel. See G.1 and G.3. Slot rollers into the top profile and then clip in the bottom rollers as shown in G.4, G.5 and G.6.

## Step H

Drill 3 equally spaced holes with 3mm drill bit through the wall profile and frame. Fix the frame to the wall profile with screw cup **S1PS07** and screw **SBLTL003**. Then put the screw cap **S1PS08** on.

## Step I

Attach the vertical seal **304B-2** to the end of the moving panel.

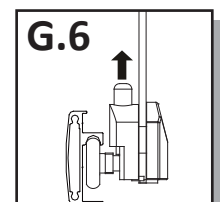
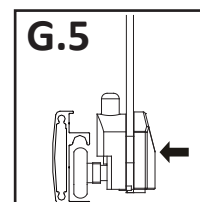
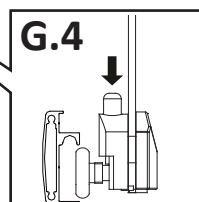
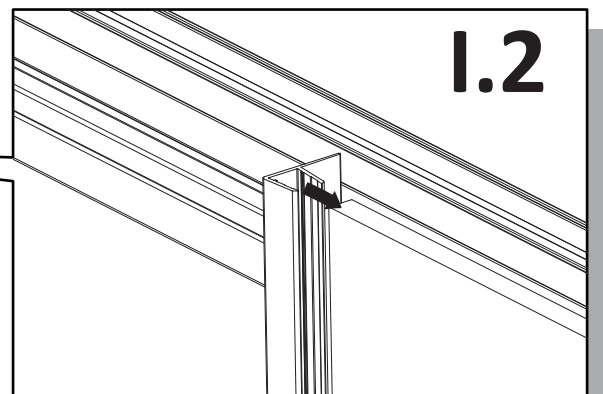
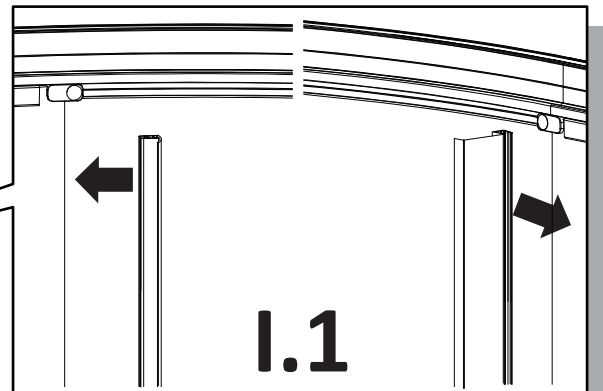
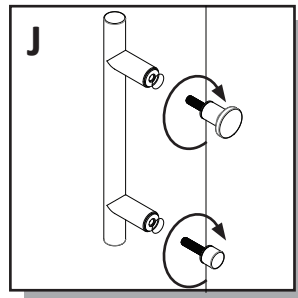
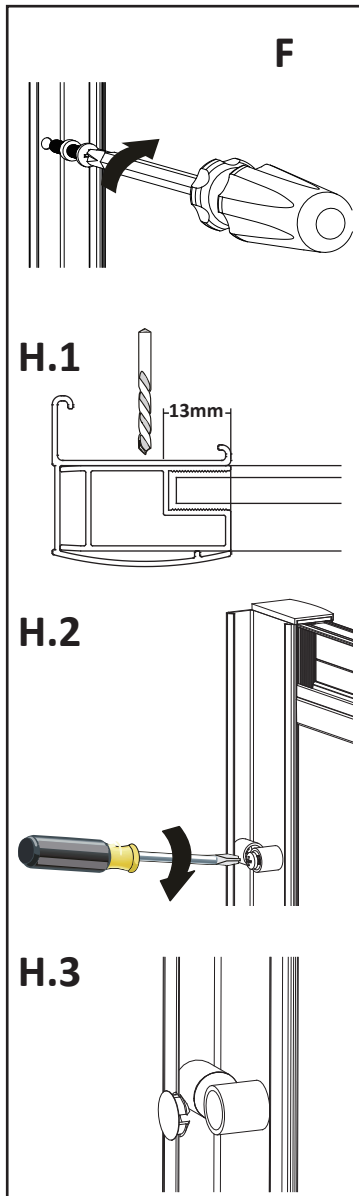
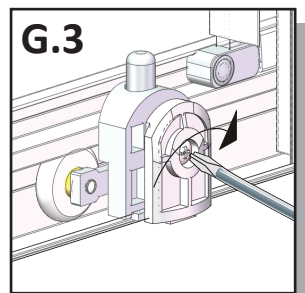
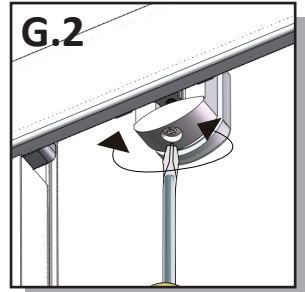
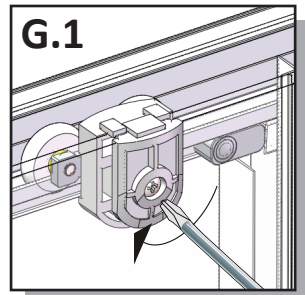
Attach the vertical seal **304B-1** to the straight fixed panel.

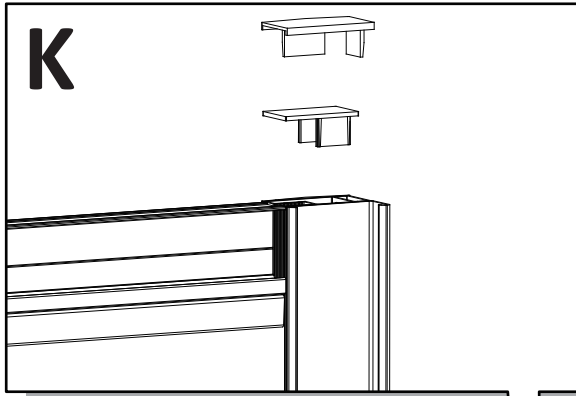
Attach the vertical seal **310A-5-29** to the straight and curved fixed panel.

## Step J

Assemble the handle **S1WH24** onto moving panels.

**Note:** To ensure the correct rolling action and the door closes on the profile evenly, adjust the roller by adjusting the screw clockwise or anticlockwise as shown in G.2



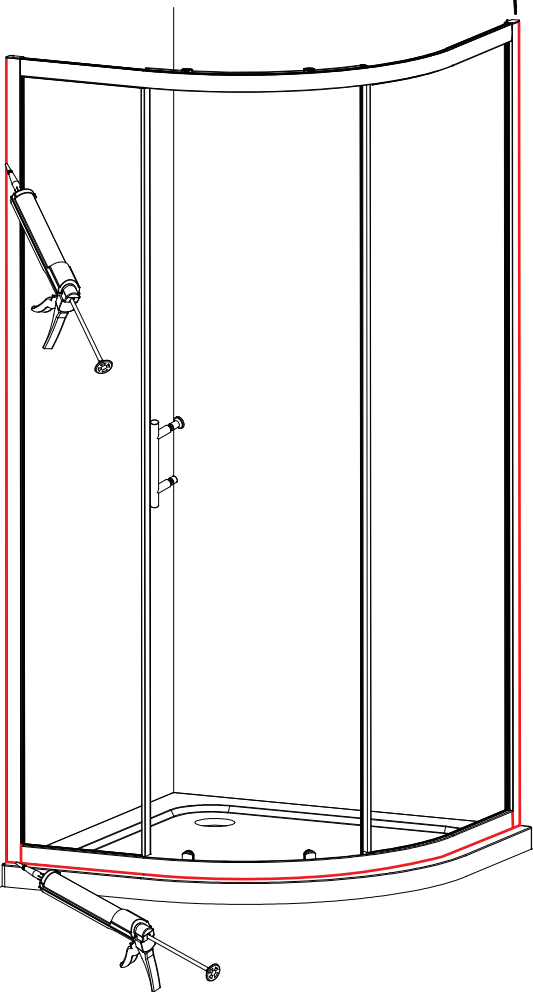


**24 HRS**



**DO NOT USE THE ENCLOSURE FOR 24 HOURS AFTER SEALING**

**L**



## Step K

*Put the upright profile cap S1PS05 and wall channel cap S1PS04L/R on.*

## Step L

### *Applying Silicone Sealant*

When applying silicone sealant follow the red line shown in the diagram on the outside only.

**IMPORTANT:** Do not apply sealant on inside of the tray where the door meets the tray horizontally.

### *Sealing Outside*

*Seal horizontally between the tray and the bottom profile. Also seal vertically around 30mm between the wall channel and wall and also between the wall channel and the vertical profile.*