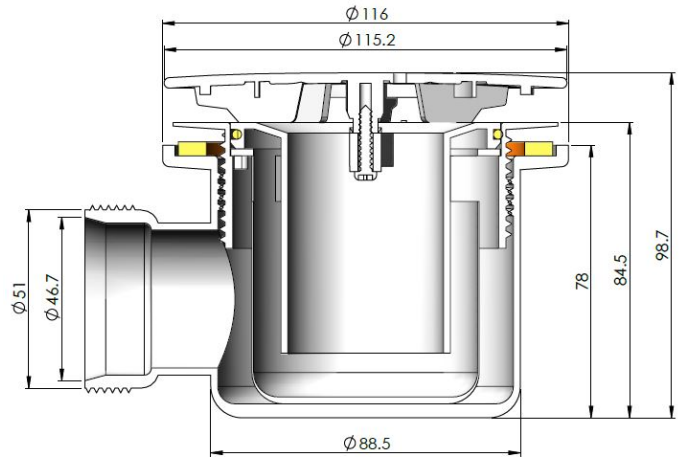


CUSTOMER DATA SHEET - WASTES & EXTRAS

SALES CODE: STW001

DESCRIPTION: Mega Flow Waste With Knuckle



PRODUCT DIMENSIONS

Height (mm)	Width (mm)	Length (mm)	Depth (mm)	Nett Wgt Kg
78	115		780	0.41

PACKAGING DIMENSIONS

Height (mm)	Width (mm)	Depth (mm)	Gross Wgt Kg
	135	100	0.41

PACKAGING DATA

Box Colour	White Cardboard Box		
Box Qty	1	Label Colour	White Label
Label Size	100 x 50	Label Qty	2

OUTER BOX DIMENSIONS (If Applicable)

Height (mm)	Width (mm)	Length (mm)	Depth (mm)	Gross Wgt Kg
560	360			
Barcode	5055369011629			

PRODUCT DETAILS

Country of Origin	China	CE Certification	N/A
Fitting Instruction	Yes	Colour/Finish	Chrome
Product Material	Pp	Product Diameter	115mm
Heating Element Wattage	Not Applicable	Connection Size	1 1/2"