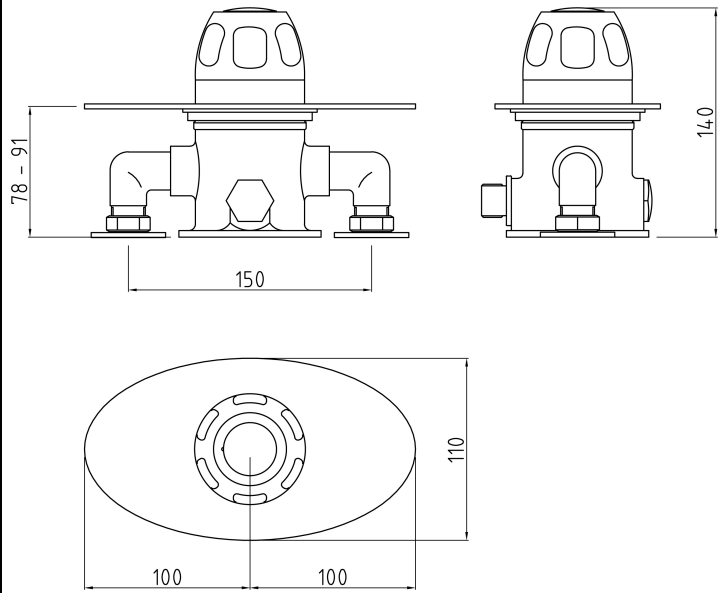


CUSTOMER DATA SHEET - SHOWERS

SALES CODE: VSQ2

DESCRIPTION: Exposed Sequential Thermo Valve



PRODUCT DIMENSIONS

Length(mm)	Width (mm)	Height (mm)	Depth (mm)	Nett Wgt Kg
	200	110	138	2.26

PACKAGING DIMENSIONS

Length (mm)	Width (mm)	Depth (mm)	Gross Wgt Kg
240	210	170	2.86

PACKAGING DATA

Box Colour	White Cardboard Box		
Box Qty	1	Label Colour	White Label
Label Size	100 x 50	Label Qty	1

OUTER BOX DIMENSIONS (If Applicable)

Length (mm)	Width (mm)	Height (mm)	Depth (mm)	Gross Wgt Kg
	500	365	445	
Barcode	5055275826720			

PRODUCT DETAILS

Coutry of Origin	United Kingdom										
Fitting Instruction	Yes										
Product Material	Brass										
Mount Type	Wall										
Outlet Elbow Supplied	Not Applicable										
Easy Clean	Not Applicable										
Head Included	No										
Handset Included	No										
Body Jets Included	Not Applicable										
No of Body Jets	Not Applicable										
Operating Pressure (bar)	0.2										
Valve/Cartridge Type	Sequential Valve										
Flow Rates (L/min)	0.1 bar	4	0.5 bar	9.5	1 bar	15	2 bar	22	3 bar	27	
TMV2 Approved	No			Approval No.		N/A					
TMV3 Approved	No			Approval No.		N/A					
WRAS Approved	No			Approval No.		N/A					
Head Function	Not Applicable										
Handset Function	Not Applicable										
Body Jet Info	Not Applicable										
Pipe Size	15 mm (1/2" Bsp)										
Pipe Centres	150mm										
Colour/Finish	Chrome										
Hose Included	Not Applicable										
No. of Outlets	1										