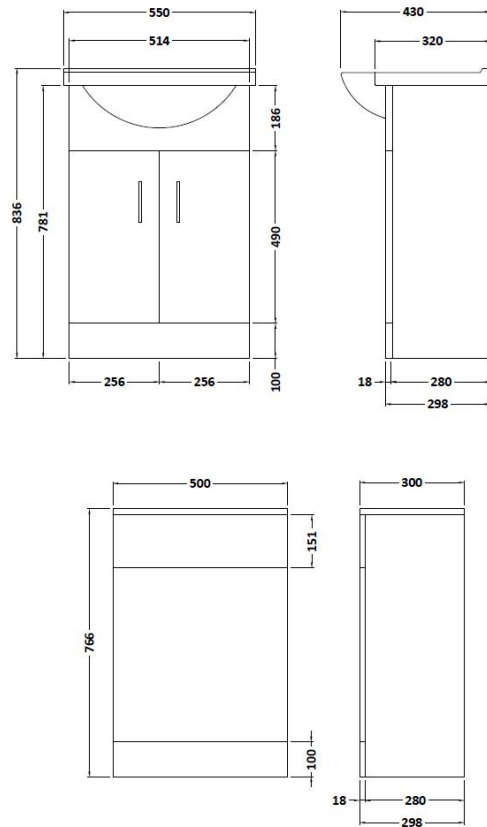


## CUSTOMER DATA SHEET

SALES CODE: SAT001

DESCRIPTION: Saturn Furniture Pack



### OVERALL PRODUCT DIMENSIONS

Length (mm)	Width (mm)	Depth (mm)
3165	2545	1915

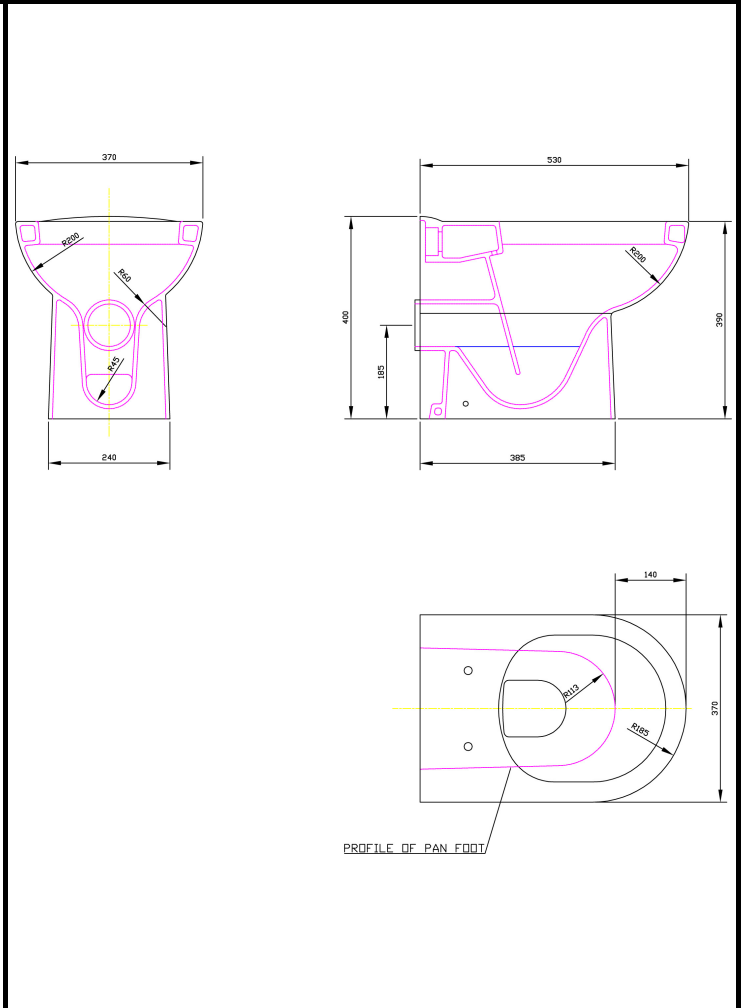
### PACKAGING DETAILS

No of Packs	6	Barcode
Combined Wgt (kg)	70.32	5055369003273

## CUSTOMER DATA SHEET - CERAMICS

SALES CODE: BTW005

DESCRIPTION: Linton Back To Wall Pan



### PRODUCT DIMENSIONS

Height (mm)	Width (mm)	Depth (mm)	Nett Wgt Kg
400	370	530	21

### PACKAGING DIMENSIONS

Height (mm)	Width (mm)	Depth (mm)	Gross Wgt Kg
420	395	540	22

### PACKAGING DATA

Box Colour	Brown Cardboard Box - Printed		
Box Qty	1	Label Colour	Not Applicable
Label Size	100 x 50	Label Qty	2

### OUTER BOX DIMENSIONS (If Applicable)

Height (mm)	Width (mm)	Depth (mm)	Gross Wgt Kg
Barcode		5055369032907	

### PRODUCT DETAILS

Country of Origin	China
Fitting Instruction	No

Certification	CE	Yes	WRAS	N/A	WRAS Number	N/A
Product Material	Vitreous China					

### PANS/BIDETS

Trap Style	P Trap	Includes Seat	No
------------	--------	---------------	----

### CISTERNS

Fittings	Not Applicable	Operating Type	Not Applicable
Lever Type	Not Applicable		

### SEAT

Type	D-Shape	Function	Not Applicable
Material	Not Applicable		
Hinge Type	Top Fix	Hinge Material	Not Applicable

### BASINS

Tap Hole	Not Applicable	Chain Stay Hole	Not Applicable
Template	Not Applicable	Waste Type Req'd	Not Applicable
Overflow Incl.	Not Applicable	Overflow Cover	Not Applicable

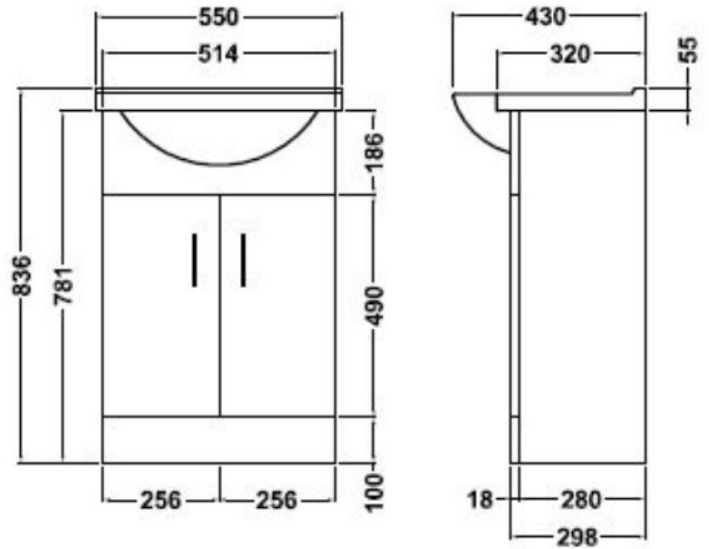
### GENERAL

Fixing Supplied	No
-----------------	----

## CUSTOMER DATA SHEET - CERAMICS

SALES CODE: NBC002

DESCRIPTION: Classic 550mm 1T/H Basin



### PRODUCT DIMENSIONS

Height (mm)	Width (mm)	Depth (mm)	Nett Wgt Kg
430	550	180	12.4

### PACKAGING DIMENSIONS

Height (mm)	Width (mm)	Depth (mm)	Gross Wgt Kg
470	560	190	13.2

### PACKAGING DATA

Box Colour	Brown Cardboard Box - Printed		
Box Qty	1	Label Colour	Not Applicable
Label Size	120 x 100	Label Qty	0

### OUTER BOX DIMENSIONS (If Applicable)

Height (mm)	Width (mm)	Depth (mm)	Gross Wgt Kg
Barcode		5055146172895	

### PRODUCT DETAILS

Country of Origin	China
Fitting Instruction	No

Certification	CE	No	WRAS	N/A	WRAS Number	N/A
Product Material	Vitreous China					

### PANS/BIDETS

Trap Style	Not Relevant	Includes Seat	N/A
------------	--------------	---------------	-----

### CISTERNS

Fittings	Not Applicable	Operating Type	Not Applicable
Lever Type	Not Applicable		

### SEAT

Type	Not Applicable	Function	Not Applicable
Material	Not Applicable		
Hinge Type	Not Applicable	Hinge Material	Not Applicable

### BASINS

Tap Hole	One Taphole	Chain Stay Hole	No
Template	Not Required	Waste Type Req'd	Slotted
Overflow Incl.	Yes	Overflow Cover	Yes

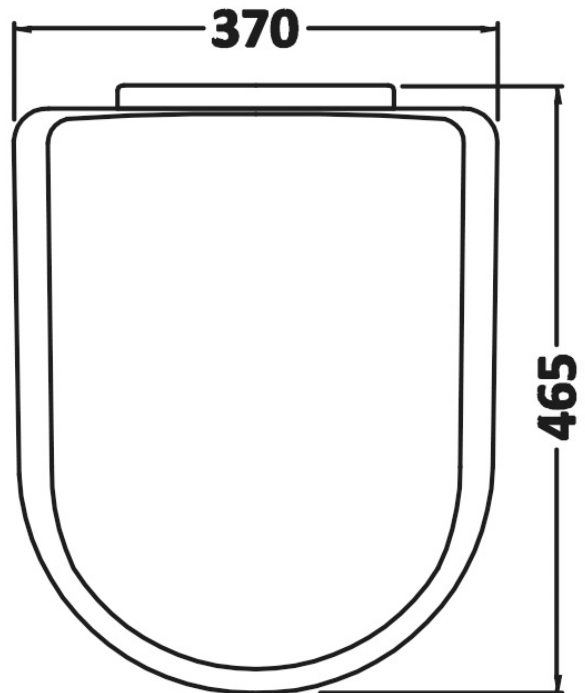
### GENERAL

Fixing Supplied	No
-----------------	----

## CUSTOMER DATA SHEET - TOILET SEATS

SALES CODE: NTS002

DESCRIPTION: D Shaped Soft Close Seat



### PRODUCT DIMENSIONS

Length (mm)	Width (mm)	Height(mm)	Nett Wgt Kg
465	370	47	1.97

### PACKAGING DATA

Box Colour	White Cardboard Box - Printed		
Box Qty	1	Label Colour	Not Applicable
Label Size	100 x 50	Label Qty	

### PACKAGING DIMENSIONS

Length (mm)	Width (mm)	Height (mm)	Gross Wgt Kg
465	380	55	1.97

### OUTER BOX DIMENSIONS (If Applicable)

Length (mm)	Width (mm)	Height (mm)	Gross Wgt Kg
580	490	400	22
Barcode	5060272824853		

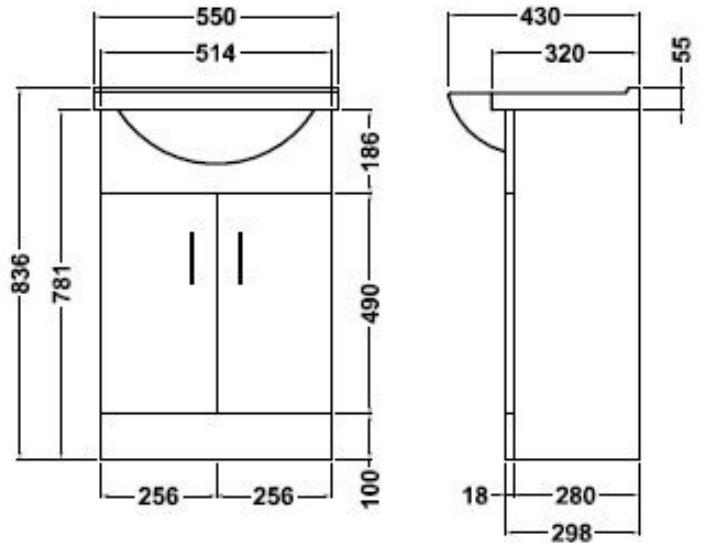
### PRODUCT DETAILS

Country of Origin	China	CE Certification	No
Fitting Instruction	Yes	Colour/Finish	White
Product Material	Polypropylene	Fixing Method	Top Fix
Seat Type	D Shape	Seat Function	Soft Close
Hinge Centres (Min)	127.5	Hinge Material	Polypropylene
Hinge Centres (Max)	171.5		

## CUSTOMER DATA SHEET - FURNITURE

SALES CODE: PRC102

DESCRIPTION: 550 Pr Std Basin Unit



### PRODUCT DIMENSIONS

Height (mm)	Width (mm)	Depth (mm)	Nett Wgt Kg
781	514	298	15.8

### PACKAGING DIMENSIONS

Height (mm)	Width (mm)	Length (mm)	Gross Wgt Kg
325	540	815	16.8

### PACKAGING DATA

Box Colour	Brown Cardboard Box - Printed		
Box Qty	1	Label Colour	Not Applicable
Label Size	100 x 50	Label Qty	0

### OUTER BOX DIMENSIONS (If Applicable)

Height (mm)	Width (mm)	Depth (mm)	Gross Wgt Kg
Barcode	5055369058327		

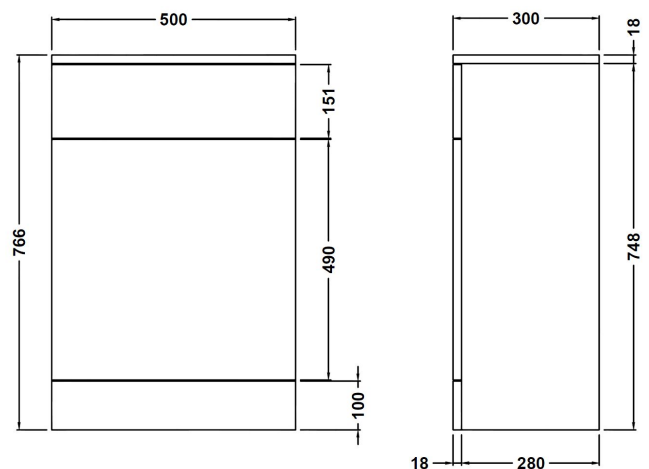
### PRODUCT DETAILS

Country of Origin	China			
Fitting Instruction	No			
Constr' Method	Cam & Wood Dowel			
Cabinet Finish	MFC Painted Gloss			
Cab Thickness (mm)	16			
Cab Edging (mm)	0.8mm ABS			
Drawer Included	No			
No of Shelves	1			
Hinge Inc'	Yes			
Fixings Inc'	No			
Handle Inc'	Yes			
Handle Type	D-Shape			
Certification	FSC	Yes	CE	N/A
Colour	Gloss White			
Constr' Type	Rigid			
Fascia Finish	Mdf Painted Gloss			
Fas Thickness (mm)	18			
Fas Edging (mm)	Not Applicable			
Drawer Type	Not Applicable			
Hinge Type	95 Degree Clip-On Soft Close			
Adjustable Legs	No			
Handle Style	Modern			
Waste Shroud	No			

## CUSTOMER DATA SHEET - FURNITURE

SALES CODE: PRC141

DESCRIPTION: 500X300 Pr W.C. Unit



### PRODUCT DIMENSIONS

Height (mm)	Width (mm)	Depth (mm)	Nett Wgt Kg
766	500	300	15.72

### PACKAGING DIMENSIONS

Height (mm)	Width (mm)	Length (mm)	Gross Wgt Kg
325	525	810	15.72

### PACKAGING DATA

Box Colour	Brown Cardboard Box - Printed		
Box Qty	1	Label Colour	Not Applicable
Label Size	100 x 50	Label Qty	0

### OUTER BOX DIMENSIONS (If Applicable)

Height (mm)	Width (mm)	Depth (mm)	Gross Wgt Kg
Barcode	5055275830055		

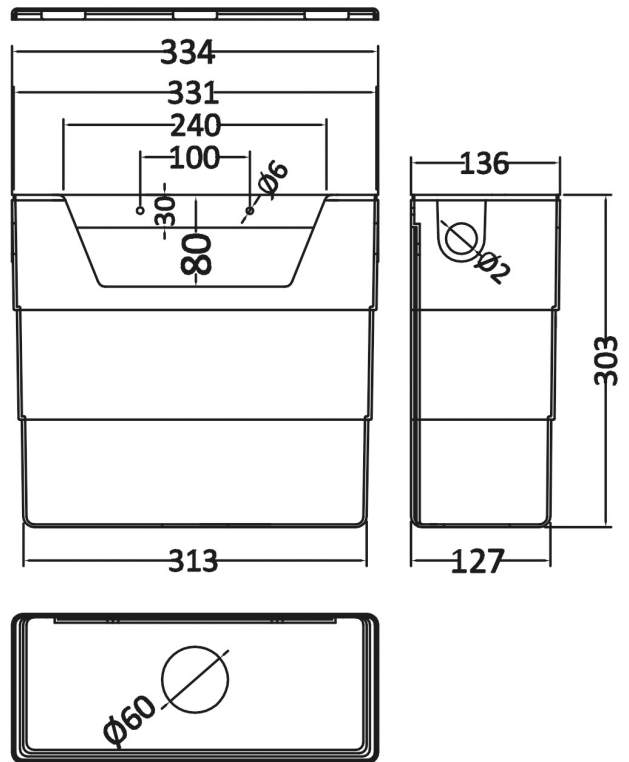
### PRODUCT DETAILS

Country of Origin	China			
Fitting Instruction	Yes			
Constr' Method	Cam & Wood Dowel			
Cabinet Finish	MFC Painted Gloss			
Cab Thickness (mm)	16			
Cab Edging (mm)	0.8mm ABS			
Drawer Included	No			
No of Shelves	0			
Hinge Inc'	No			
Fixings Inc'	No			
Handle Inc'	No			
Handle Type	Not Applicable			
Certification	FSC	Yes	CE	N/A
Colour	Gloss White			
Constr' Type	Rigid			
Fascia Finish	Mdf Painted Gloss			
Fas Thickness (mm)	18			
Fas Edging (mm)	Not Applicable			
Drawer Type	Not Applicable			
Hinge Type	Not Applicable			
Adjustable Legs	No			
Handle Style	Not Applicable			
Waste Shroud	No			

## CUSTOMER DATA SHEET - WASTES & EXTRAS

SALES CODE: XTY006

DESCRIPTION: Cable Conc Universal Access Cistern



### PRODUCT DIMENSIONS

Height (mm)	Width (mm)	Length (mm)	Depth (mm)	Nett Wgt Kg
334	303		136	2.23

### PACKAGING DIMENSIONS

Height (mm)	Width (mm)	Depth (mm)	Gross Wgt Kg
	145	320	2.23

### PACKAGING DATA

Box Colour	Brown Cardboard Box		
Box Qty	1	Label Colour	White Label
Label Size	100 x 50	Label Qty	2

### OUTER BOX DIMENSIONS (If Applicable)

Height (mm)	Width (mm)	Length (mm)	Depth (mm)	Gross Wgt Kg
Barcode	5055146182566			

### PRODUCT DETAILS

Country of Origin	China	CE Certification	Yes
Fitting Instruction	Yes	Colour/Finish	Chrome
Product Material	Plastic	Product Diameter	
Heating Element Wattage	N/A	Connection Size	1/2" Bsp