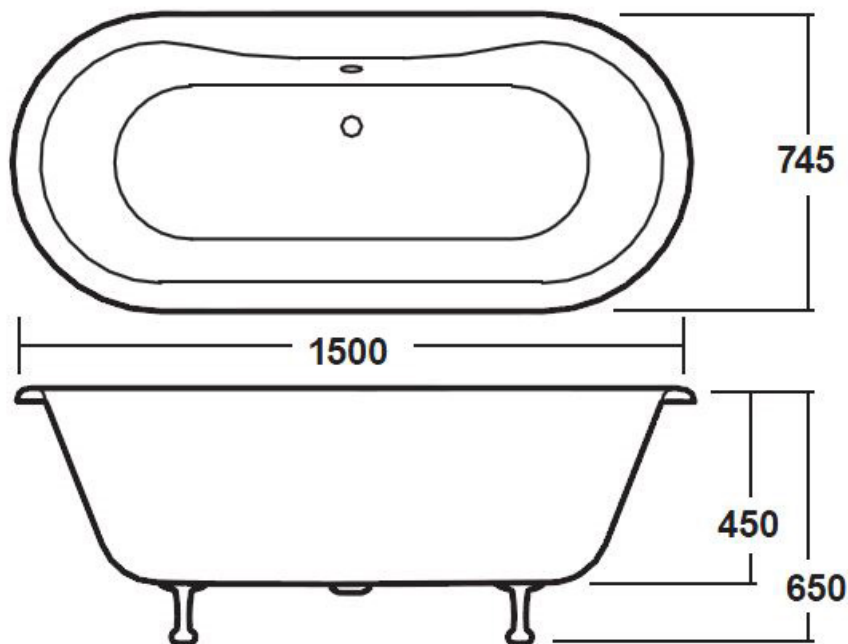


CUSTOMER DATA SHEET

SALES CODE: RL1501M1

DESCRIPTION: 1500 De Freestanding Bath 1490X745x650



OVERALL PRODUCT DIMENSIONS

Length (mm)	Width (mm)	Depth (mm)
1580	790	500

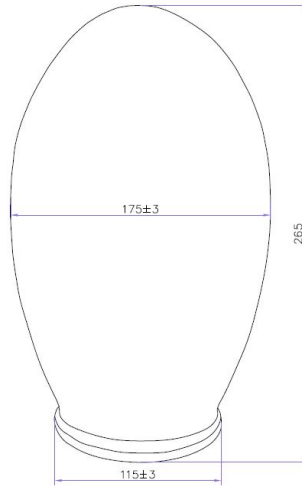
PACKAGING DETAILS

No of Packs	2	Barcode
Combined Wgt (kg)	45.8	5055275832561

CUSTOMER DATA SHEET - BATHS

SALES CODE: M1C

DESCRIPTION: Leg Set M1 For Trad Fs Baths Deacon



PRODUCT DIMENSIONS

Length (mm)	Width (mm)	Depth (mm)	Nett Wgt Kg
260	500	250	5.77

PACKAGING DIMENSIONS

Length (mm)	Width (mm)	Depth (mm)	Gross Wgt Kg
470	455	230	5.77

PACKAGING DATA

Box Colour	Polystyrene Moulded Box		
Box Qty	1	Label Colour	White Label
Label Size	140 X 100	Label Qty	1

OUTER BOX DIMENSIONS (If Applicable)

Length (mm)	Width (mm)	Height (mm)	Gross Wgt Kg
Barcode	5055369044818		

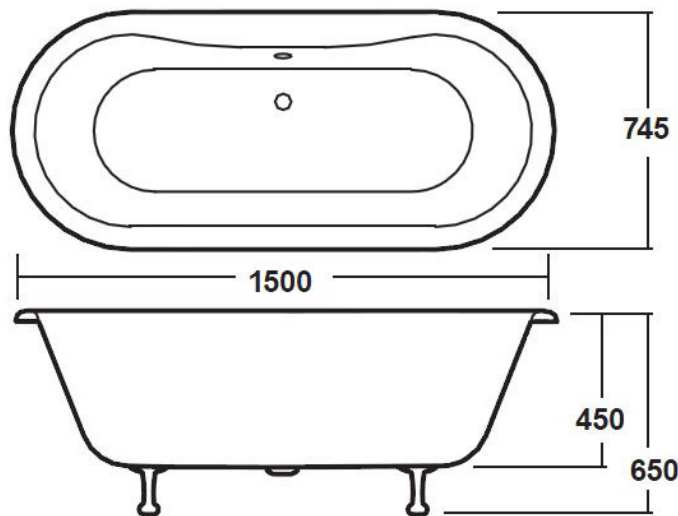
PRODUCT DETAILS

Country of Origin	China	Certification	FSC	CE
Fitting Instruction	No	Material Colour Ref'	Not Applicable	
Product Material	Steel	Material Thickness		
Volume (Ltr)	N/A	Displaced Capacity	N/A	
Leg Set Inc'	Not Applicable	Waste Inc'	Not Applicable	
Drilled/Undrilled	Not Applicable	Includes Grips	Not Applicable	
Embossed	Not Applicable	No of Tapholes	Not Applicable	
Anti-Slip	Not Applicable			

CUSTOMER DATA SHEET - BATHS

SALES CODE: RL1501

DESCRIPTION: 1500 Double Ended Freestanding Bath



PRODUCT DIMENSIONS

Length (mm)	Width (mm)	Depth (mm)	Nett Wgt Kg
1490	745	635	45.8

PACKAGING DIMENSIONS

Length (mm)	Width (mm)	Depth (mm)	Gross Wgt Kg
1580	790	500	45.8

PACKAGING DATA

Box Colour	Brown Cardboard Sleeve		
Box Qty	1	Label Colour	White Label
Label Size	100 X 50	Label Qty	2

OUTER BOX DIMENSIONS (If Applicable)

Length (mm)	Width (mm)	Height (mm)	Gross Wgt Kg
Barcode	5055369006519		

PRODUCT DETAILS

Country of Origin	China	Certification	FSC	CE
Fitting Instruction	No	Material Colour Ref'	European White	
Product Material	Acrylic	Material Thickness	14	
Volume (Ltr)	185L	Displaced Capacity	115L	
Leg Set Inc'	Legset Not Included	Waste Inc'	Waste Not Included	
Drilled/Undrilled	Undrilled For Taps	Includes Grips	No Grips Supplied	
Embossed	No	No of Tapholes	None	
Anti-Slip	No			