

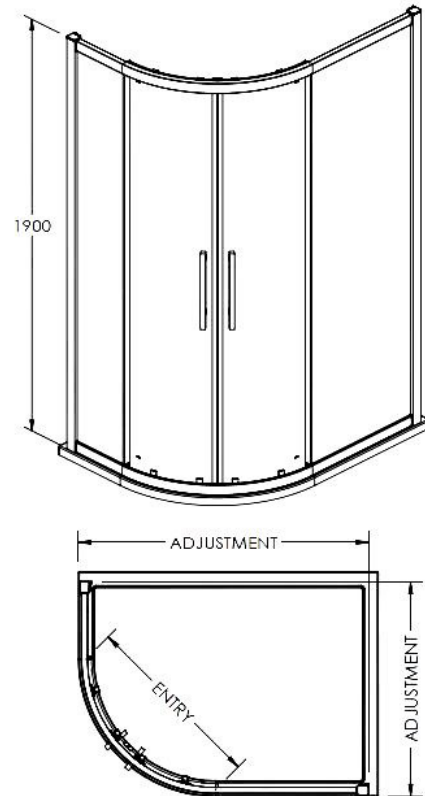
CUSTOMER DATA SHEET - ENCLOSURES

SALES CODE: M1080Q-E8

DESCRIPTION: 1000X800 Double Door Quad 8mm



Apex Offset Quadrant Enclosure



PRODUCT DIMENSIONS

Height (mm)	Width (mm)	Depth (mm)	Nett Wgt Kg
1900	980	780	60.3

PACKAGING DIMENSIONS

Height (mm)	Width (mm)	Length (mm)	Gross Wgt Kg
1960	480	150	60.3

PACKAGING DATA

Box Colour	Brown Cardboard Box - Printed		
Box Qty	1	Label Colour	Not Applicable
Label Size	100 x 50	Label Qty	0

OUTER BOX DIMENSIONS (If Applicable)

Height (mm)	Width (mm)	Depth (mm)	Length (mm)	Gross Wgt Kg
Barcode	5055369080557			

PRODUCT DETAILS

Country of Origin	China	CE Approval	Yes
Fitting Instruction	Yes	Profile Finish	Polished Chrome
Profile Material	Aluminium	Entry Width (mm)	455mm
Adjustments (mm)	960mm - 980mm / 760mm - 780mm	Swing Out Dim (mm)	N/A
Swing In Dim (mm)	N/A	Glass Thickness (mm)	8
Radius (mm)	538 mm	Easy Clean	Yes
Easy Fit	Yes	Handle Material	Metal
Handle Style	Square T Shape Handle	Wheel Type	Chrome, Dual, Quick Release
Enclosure Design	Framed	Extras	Screw Cover Strip
Support Bar Inc'	Support Bar Not Included		