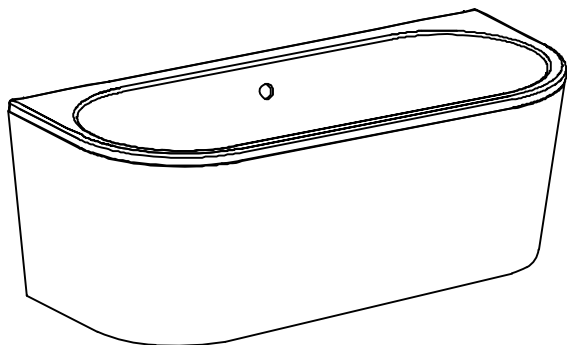


GENERAL FITTING GUIDE - BACK TO WALL BATH



GUARANTEE & AFTERCARE

When installing or using tools, extra care must be taken to avoid damaging the finish or fitting. To maintain the appearance, please ensure it is cleaned regularly using a clean soft damp cloth only. Abrasive cleaners or detergents must not be used as they may cause surface deterioration. The company provides a guarantee against faulty material or manufacture excluding serviceable parts, providing they have been installed, cared for and used in accordance with our instructions.

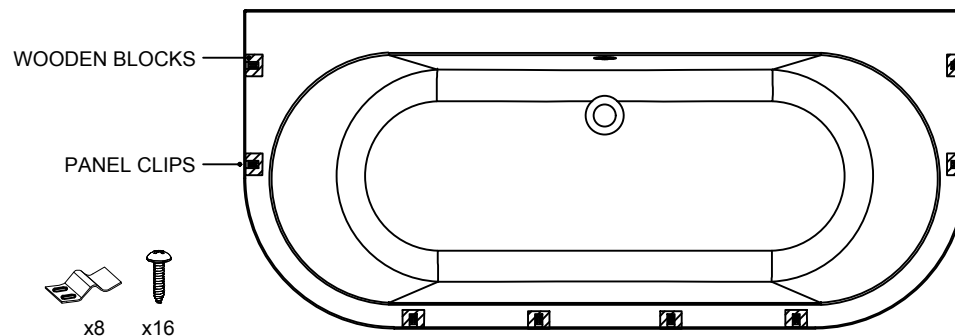
Any misuse will invalidate your guarantee

INSTALLATION

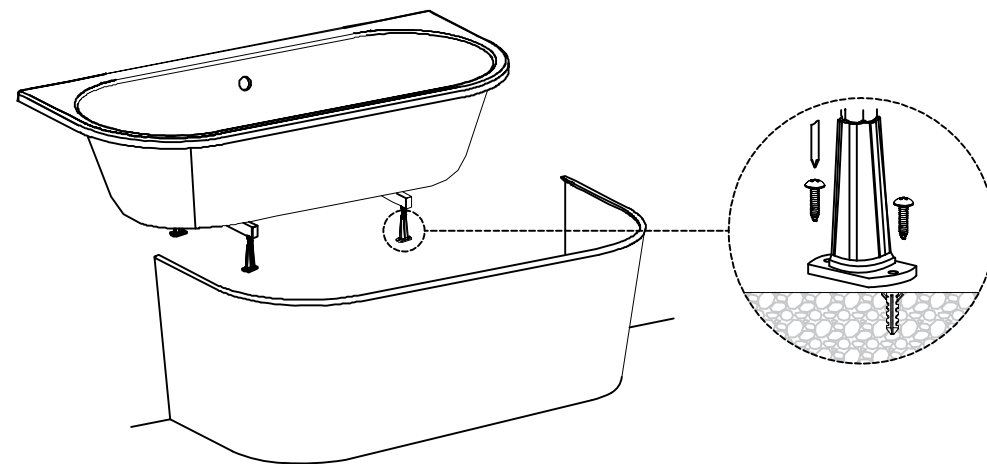
- Please check that all components are present.
- Check the pack & make sure you have all parts listed. If not, contact your supplier who will be able to help you.
- When ready to start, ensure that you have all the right tools to hand, plenty of space & a clean dry area for assembly.
- Remove packing & protective film & inspect product prior to the commencement of assembly. Any damages found must be reported to the product supplier immediately.
- Remove & discard any transportation screws as they are not required for installation.
- Turn the bath over so it is sitting on the top face. Ensure that the top face is protected so it cannot be scratched or damaged.

2

- Install the x8 Panel Clips to the wooden blocks underneath the bath rim.

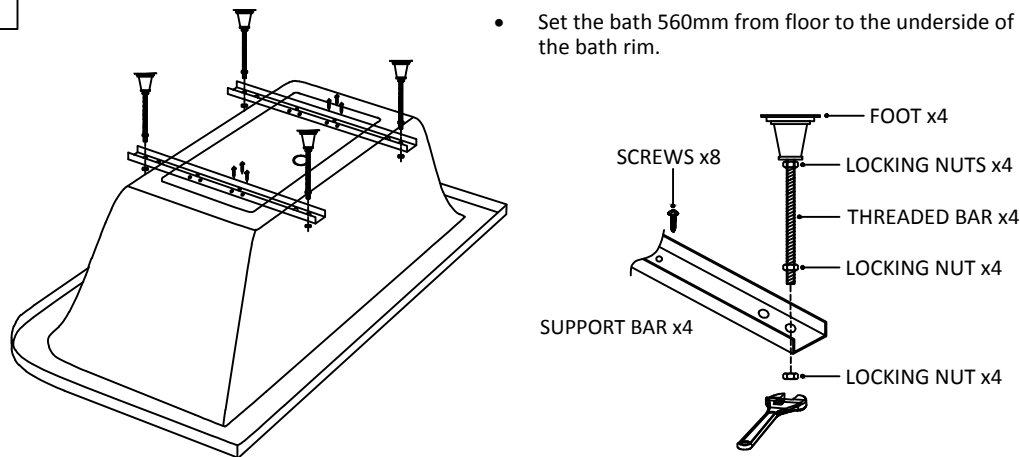


3



1

- Set the bath 560mm from floor to the underside of the bath rim.



4

- The overflow, waste, taps need to be fitted by a suitably qualified person before pushing the bath skirt into position.
- It is essential that once the bath is in its final position the bath legs be firmly fixed to the floor using fixings appropriate for the type of floor surface (fixings not included).

