

TAP030AD- ADORE MONO BASIN MIXER WITH CLICK WASTE



ILLUSTRATION: ADORE MONO BASIN MIXER

BAR CODE: 5060168228581

COLOUR: CHROME PLATE

WEIGHT:

NET 0.90 kg (tap only)

GROSS 1.45 kg

STANDARDS: BS EN 200

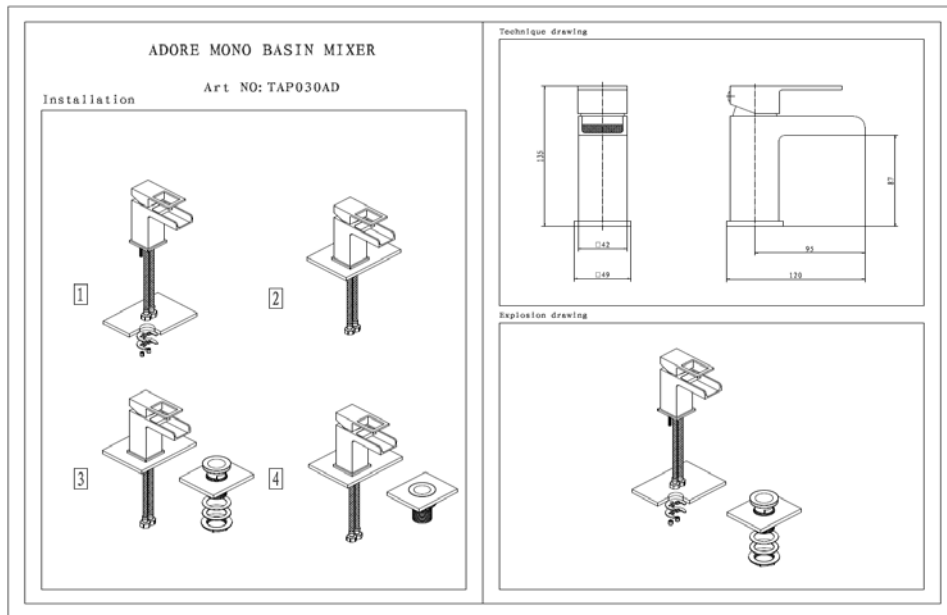
NOTES: SUPPLIED WITH CLICK WASTE

1/2" BSP FLEXI HOSES

CERAMIC DISC CARTRIDGE TECHNOLOGY

Flow Rate: L.P

0.2bar	0.5bar	1bar	2bar	3bar
2.3L/min	3.6L/min	4.6L/min	6.8L/min	8.4L/min



BOX SIZE 220 x 150 x 90 mm

TAP031AD- ADORE BATH SHOWER MIXER

ILLUSTRATION: ADORE BATH SHOWER MIXER

BAR CODE: 5060168228598

COLOUR: CHROME PLATE

WEIGHT:

NET 2.45 (tap only)

GROSS 3.2 kg

STANDARDS: BS EN 200

NOTES: SHOWER HOSE AND HAND SET
3/4" BSP CONNECTIONS
CERAMIC DISC TECHNOLOGY
WALL BRACKET

Flow Rate: M.P

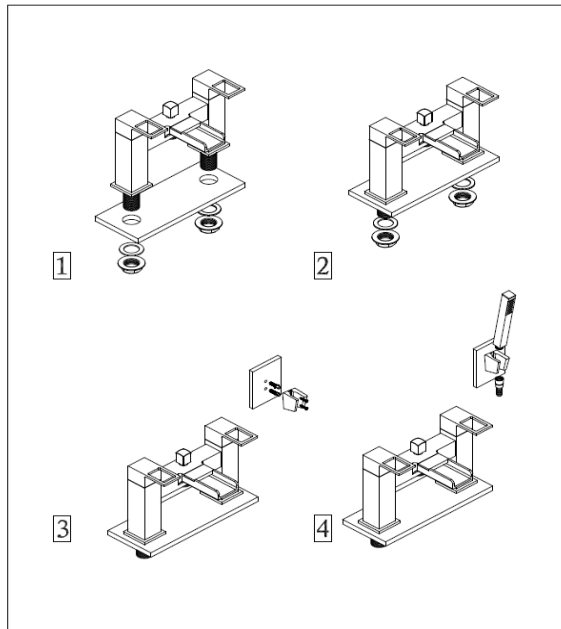
0.2bar	0.5bar	1bar	2bar	3bar
3.4L/min	5L/min	7L/min	9.8L/min	11.8L/min



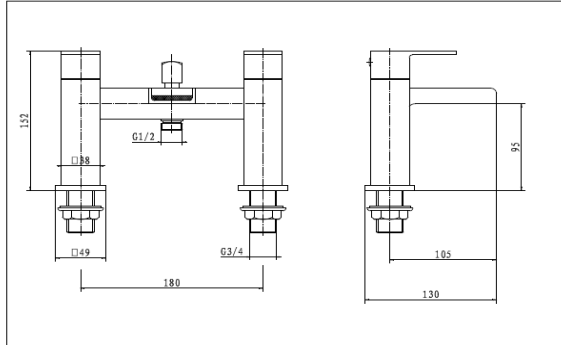
ADORE BATH SHOWER MIXER

Art NO: TAP031AD

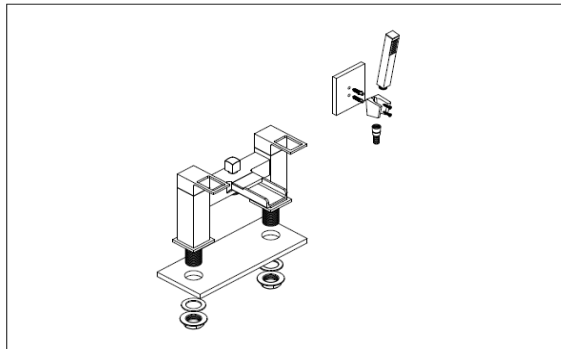
Installation



Technique drawing



Explosion drawing



BOX SIZE 250 x 210 x 155 mm

TAP032AD - ADORE BATH FILLER



ILLUSTRATION: ADORE BATH FILLER

BAR CODE: 5060168228604

COLOUR: CHROME PLATE

WEIGHT:

NET 2.35 kg (tap only)

GROSS 2.7 kg

STANDARDS: BS EN 200

NOTES:

**3/4" BSP CONNECTIONS
CERAMIC DISC TECHNOLOGY**

Flow Rate: M.P

0.2bar	0.5bar	1bar	2bar	3bar
3.7L/min	5.4L/min	7.4L/min	10.3L/min	12.4L/min

ADORE BATH FILLER
Art NO: TAP032AD

Installation

Technique drawing

Explosion drawing

BOX SIZE 250 x 210 x 155 mm