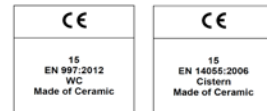
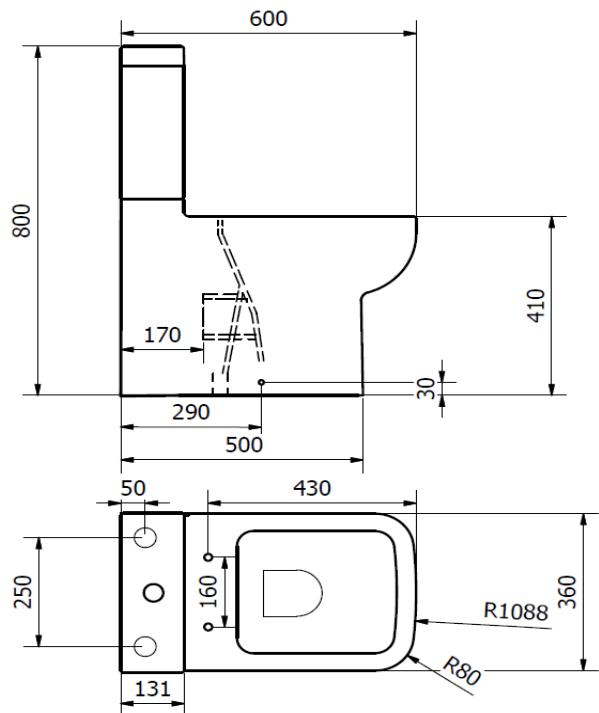
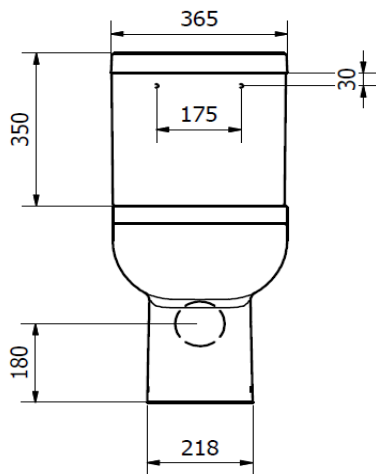


**OPTIONS 600 CLOSE TO WALL PAN, SEAT & CISTERN**
**ILLUSTRATION: OPTIONS CLOSE TO WALL PAN & CISTERN**
**CODE: C/C WC PAN - POT0700P  
 C/C CISTERN - POT450SE  
 SOFT CLOSE SEAT - POT0820P  
 PREMIUM S/C SEAT - POT0840P**
**COLOUR: WHITE**


WEIGHT:	WC PAN	CISTERN	SEAT	P SEAT
NET:	27.5 KG	11 KG	1.4 KG	2.3 KG
GROSS:	28.5 KG	12 KG	1.6 KG	2.5 KG

**STANDARDS: BS EN 997 WCs**
**BS EN 14055:2010 FLUSHING CISTERNS**
**BS 3402**

**NOTES:**
**VITREOUS CHINA**
**WATER SAVING 6/4 LITRE FLUSH**
**SOFT CLOSE SEAT WITH QUICK RELEASE TOP FIX HINGE**

**BOX SIZES :- WC PAN = 390 X 490 X 640 mm / CISTERN = 1155 X 380 X 390 mm / SEAT = 450 X 370 X 55 mm**

**OPTIONS 600 BTW PAN & SEAT**



ILLUSTRATION: OPTIONS BTW PAN

CODE: BTW PAN - POT0710P

SOFT CLOSE SEAT - POT0820P

PREMIUM S/C SEAT - POT0840P

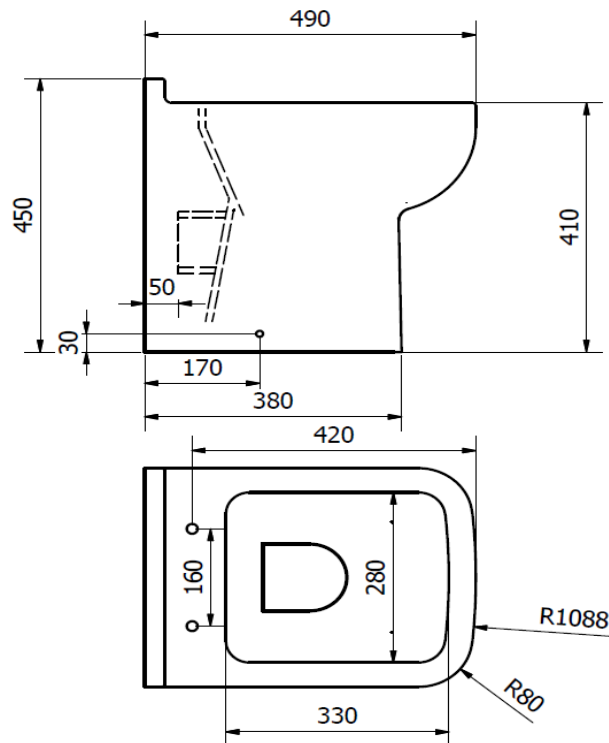
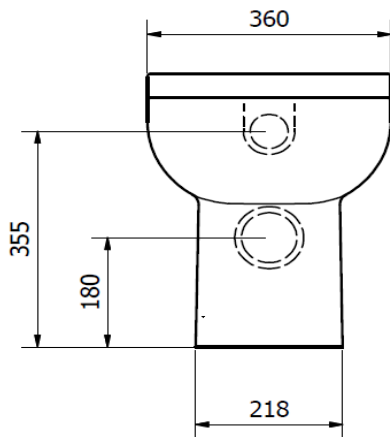
COLOUR: WHITE

WEIGHT:	WC PAN	SEAT	P SEAT
NET:	25.5 KG	1.4 KG	2.3 KG
GROSS:	26.5 KG	1.6 KG	2.5 KG

STANDARDS: BS EN 997 WCs  
BS 3402



NOTES:  
VITREOUS CHINA  
WATER SAVING 6/4 LITRE FLUSH  
SOFT CLOSE SEAT WITH QUICK RELEASE TOP FIX HINGE

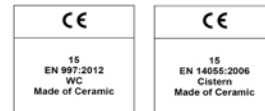
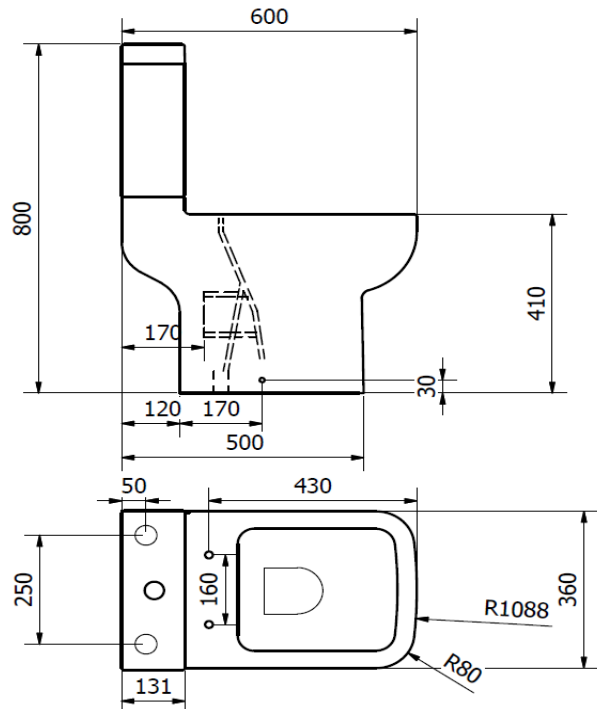
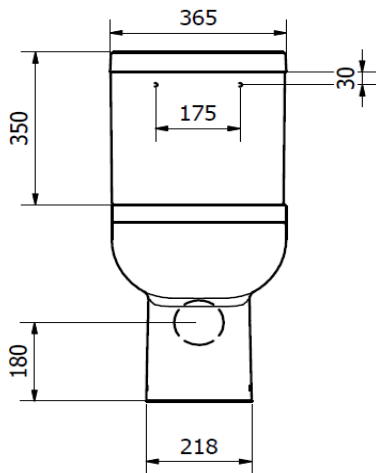


BOX SIZES :- WC PAN = 380 X 480 X 520 mm / SEAT = 450 X 370 X 55 mm

**OPTIONS 600 C/C PAN, SEAT & CISTERN**

**ILLUSTRATION: OPTIONS C/C PAN & CISTERN**
**CODE: C/C WC PAN - POT0800P  
 C/C CISTERN - POT450SE  
 SOFT CLOSE SEAT - POT0820P  
 PREMIUM S/C SEAT - POT0840P**
**COLOUR: WHITE**

WEIGHT:	WC PAN	CISTERN	SEAT	P SEAT
NET:	27.5 KG	11 KG	1.4 KG	2.3 KG
GROSS:	28.5 KG	12 KG	1.6 KG	2.5 KG

**STANDARDS: BS EN 997 WCs  
 BS EN 14055:2010 FLUSHING CISTERNS  
 BS 3402**

**NOTES:  
 VITREOUS CHINA  
 WATER SAVING 6/4 LITRE FLUSH  
 SOFT CLOSE SEAT WITH QUICK RELEASE TOP FIX HINGE**

**BOX SIZES :- WC PAN = 390 X 490 X 640 mm / CISTERN = 1155 X 380 X 390 mm / SEAT = 450 X 370 X 55 mm**

**OPTIONS 600 COMFORT HEIGHT PAN, SEAT & CISTERN**



**ILLUSTRATION: OPTIONS C/C PAN & CISTERN**

**CODE: C/C WC PAN - POT089OP  
C/C CISTERN - POT450SE  
SOFT CLOSE SEAT - POT082OP  
PREMIUM S/C SEAT - POT084OP**

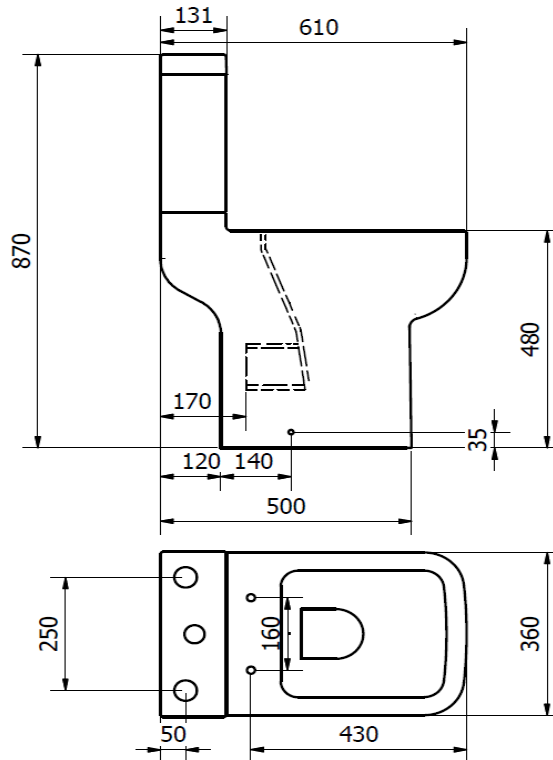
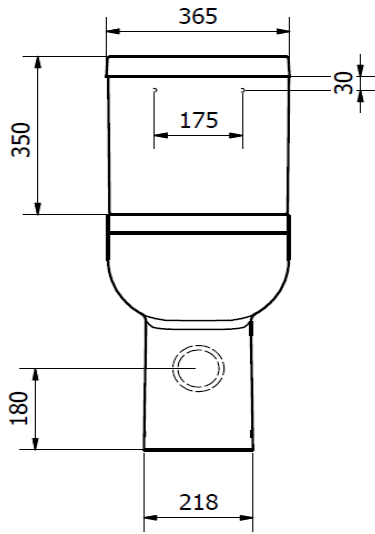
**COLOUR: WHITE**

<b>WEIGHT:</b>	<b>WC PAN</b>	<b>CISTERN</b>	<b>SEAT</b>	<b>P SEAT</b>
<b>NET:</b>	<b>33.5 KG</b>	<b>11 KG</b>	<b>1.4 KG</b>	<b>2.3 KG</b>
<b>GROSS:</b>	<b>35.0 KG</b>	<b>12 KG</b>	<b>1.6 KG</b>	<b>2.5 KG</b>

**STANDARDS: BS EN 997 WCs  
BS EN 14055:2010 FLUSHING CISTERNS  
BS 3402**



**NOTES:  
VITREOUS CHINA  
WATER SAVING 6/4 LITRE FLUSH  
SOFT CLOSE SEAT WITH QUICK RELEASE TOP FIX HINGE**



**BOX SIZES :- WC PAN = 390 X 550 X 640 mm / CISTERN = 1155 X 380 X 390 mm / SEAT = 450 X 370 X 55 mm**