

STUDIO C/C PAN, SEAT & CISTERN



ILLUSTRATION: STUDIO C/C PAN & CISTERN

CODE: C/C WC PAN - POT293ST
 C/C CISTERN - POT450SE
 SOFT CLOSE SEAT - POT295ST

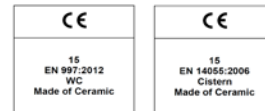
COLOUR: WHITE

WEIGHT:	WC PAN	CISTERN	SEAT
NET:	25.5 KG	11 KG	1.4 KG
GROSS:	26.5 KG	12 KG	1.6 KG

STANDARDS: BS EN 997 WCs

BS EN 14055:2010 FLUSHING CISTERNS

BS 3402

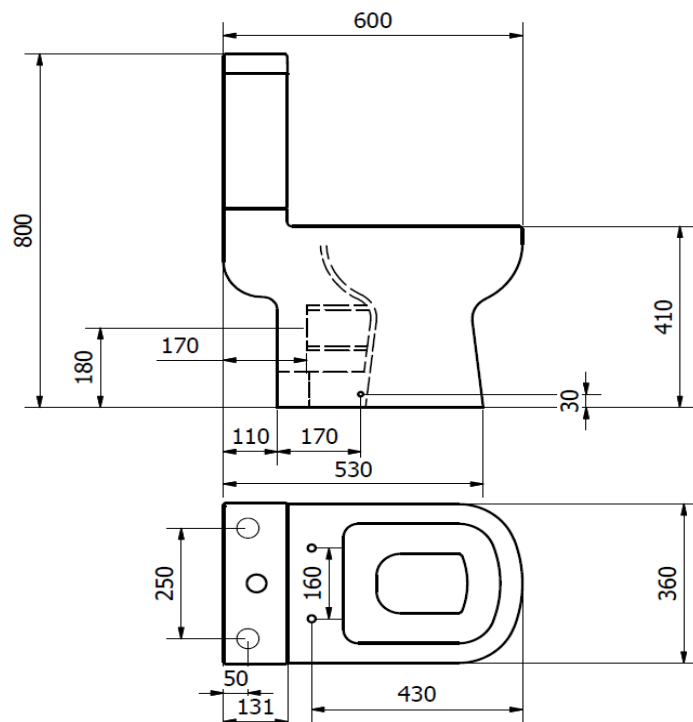
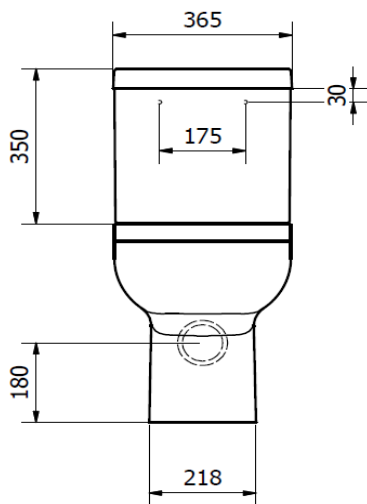


NOTES:

VITREOUS CHINA

WATER SAVING 6/4 LITRE FLUSH

SOFT CLOSE SEAT WITH QUICK RELEASE TOP FIX HINGE



BOX SIZES :- WC PAN = 390 X 490 X 640 mm / CISTERN = 155 X 380 X 390 mm / SEAT = 450 X 370 X 55 mm