

PROJECT ROUND C/C PAN, SEAT & CISTERN



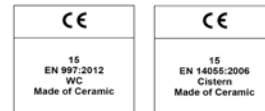
ILLUSTRATION: PROJECT ROUND C/C PAN & CISTERN

CODE: C/C WC PAN - POT869PR
 C/C CISTERN - POT450SE
 SOFT CLOSE SEAT - POT870PR

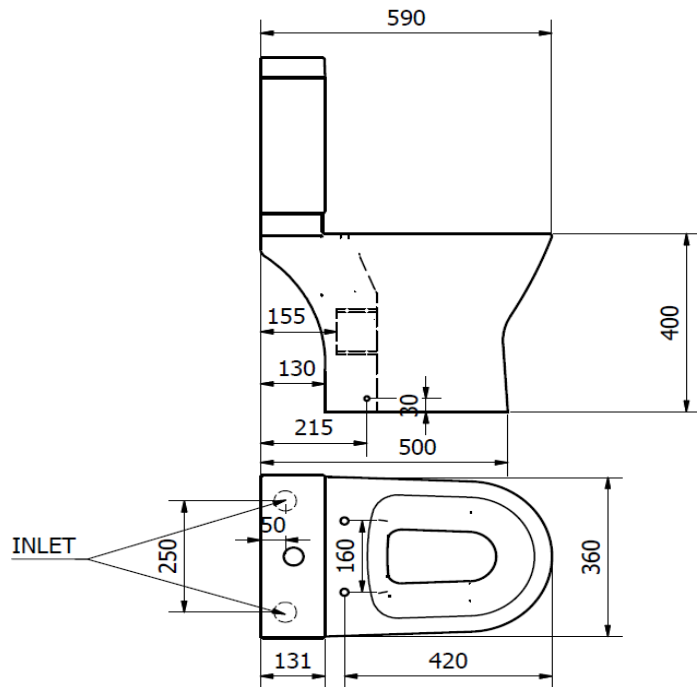
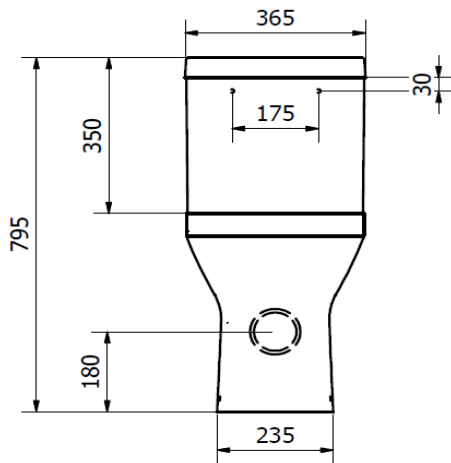
COLOUR: WHITE

WEIGHT:	WC PAN	CISTERN	SEAT
NET:	26.0 KG	11 KG	1.6 KG
GROSS:	27.5 KG	12 KG	1.9 KG

STANDARDS: BS EN 997 WCs
 BS EN 14055:2010 FLUSHING CISTERNS
 BS 3402



NOTES:
 VITREOUS CHINA
 WATER SAVING 6/4 LITRE FLUSH
 SOFT CLOSE SEAT WITH QUICK RELEASE TOP FIX HINGE
 SHORT PROJECTION



BOX SIZES :- WC PAN = 370 X 490 X 600 mm / CISTERN = 155 X 380 X 390 mm / SEAT = 450 X 370 X 55 mm