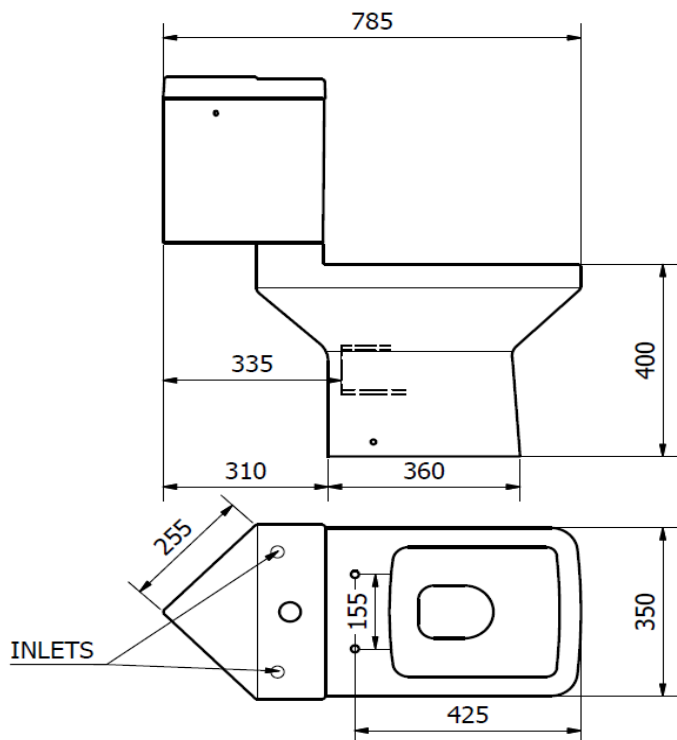
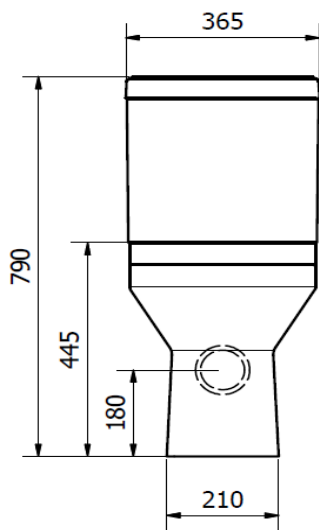


TRIM C/C PAN, SEAT & CORNER CISTERN CISTERN

ILLUSTRATION: TRIM C/C PAN
**CODE: C/C WC PAN - POT471TR
C/C CISTERN - POT456SE
SOFT CLOSE SEAT - POT472TR**
COLOUR: WHITE

WEIGHT:	WC PAN	CISTERN	SEAT
NET:	25.5 KG	13.5 KG	1.8 KG
GROSS:	26.5 KG	14.5 KG	2.1 KG

**STANDARDS: BS EN 997 WCs
BS EN 14055 FLUSHING CISTERNS
BS 3402**
**NOTES:
VITREOUS CHINA
SHORT PROJECTION
WATER SAVING 6/4 LITRE FLUSH
SOFT CLOSE SEAT WITH QUICK RELEASE TOP FIX HINGE**

BOX SIZES :- WC PAN = 370 X 450 X 630 mm / CISTERN = 380 X 380 X 320 mm