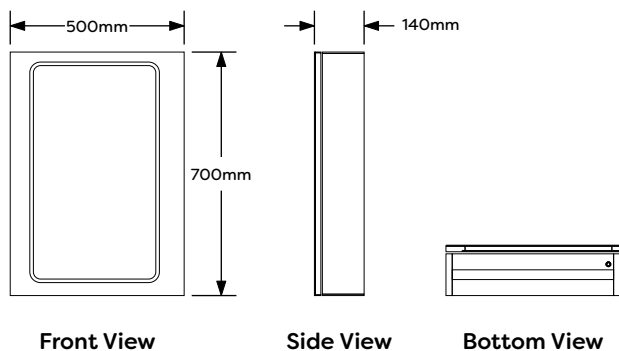
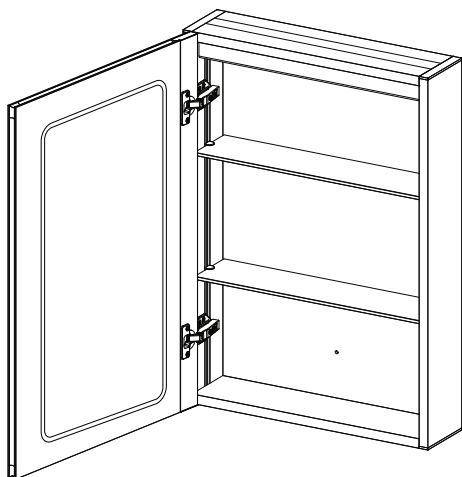


MIR104 Fine

Wall Mounted Mirror Cabinet

REFLECTIONS BY
K·VIT



DIMENSIONS

W500mm x H700mm x D140mm

GUARANTEE

3 Years/Consumer Statutory Rights Apply

FEATURES

- IR Switch
- 3 Tone Ambient Lighting
- Demister
- Charging Socket (Max.10W)
- Two Adjustable Tempered Glass Shelves
- Double Sided Mirror Door
- Ambient Lighting on the Top and Bottom
- Invisible Cables

ELECTRICAL INFORMATION

CE ⚡ ⚡ ⚡ ⚡ ⚡ IP44

Input: 220-240VAC 50/60Hz
Demister Pad: 12VDC
LED Lamps: 12VDC

MATERIAL

Glass Mirror
Aluminium

COLOUR

Silver

WEIGHT

G.W.: 14.1kg/N.W.: 11.95kg

PACKAGING

W600mm x H860mm x D200mm
Mail Packaging

FREQUENTLY USED APPLICATIONS

Residential
Hotels
Commercial

STANDARDS

LVD
BS EN 60598-1:2015/A1:2018
BS EN 60598-2-1:1989
BS EN 62493:2015
EMC
BS EN 55015:2013/A1:2015
BS EN 55014-1:2017
BS EN 55014-2:2015
BS EN 61000-3-2:2014
BS EN 61000-3-3:2013
BS EN 61547:2009

CARE AND MAINTENANCE

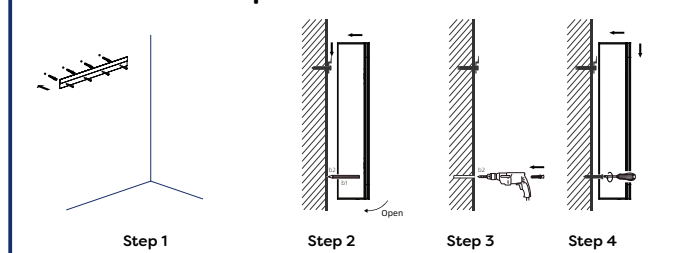
Clean Surfaces with a Damp Cloth and Wipe Dry with a Soft Cloth.
Do Not Use Chemical or Abrasive Cleaners, as these May Damage the Surface Finish.

KARTELL^{UK}

16-19 The Manton Centre, Manton Lane,
Bedford MK41 7PX
Tel: 01234 363 393 Fax: 01234 363 488

Unit 3, Greenbank Business Park, Swan Lane,
Hindley Green, Wigan WN2 4AY
Tel: 01942 257 800 Fax: 01942 257 900

Installation Steps :



Call our Sales Team or visit Kartelluk.com

Date Created : 08/2025