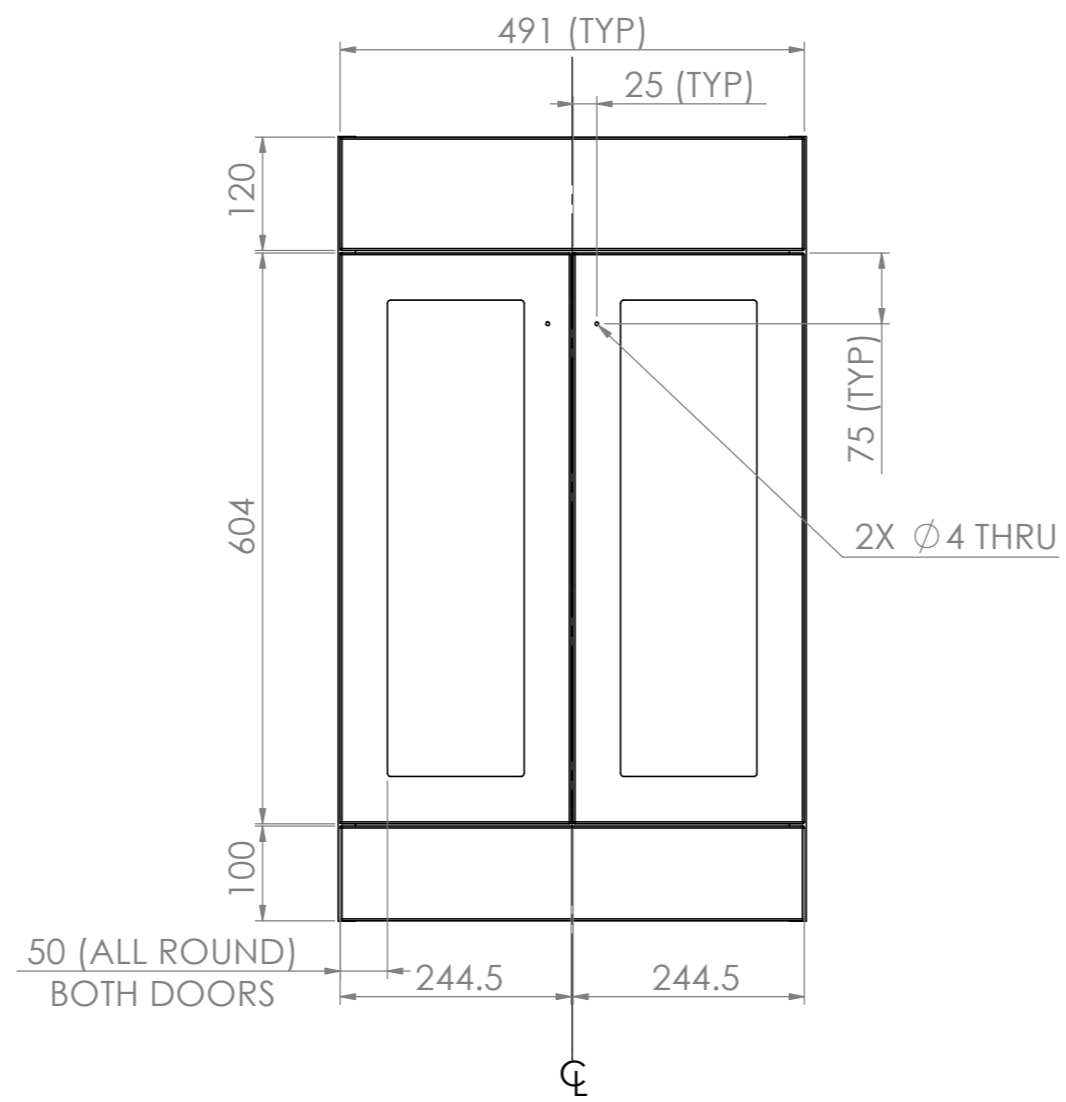
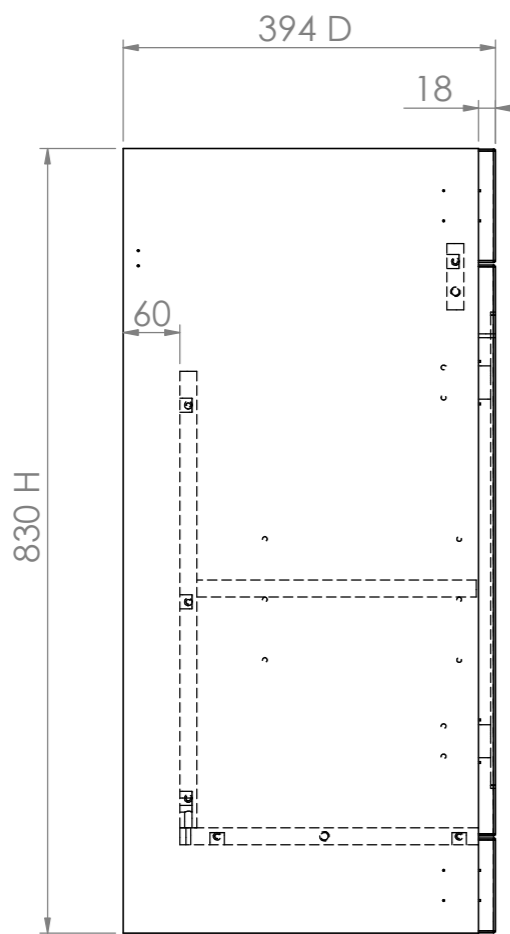
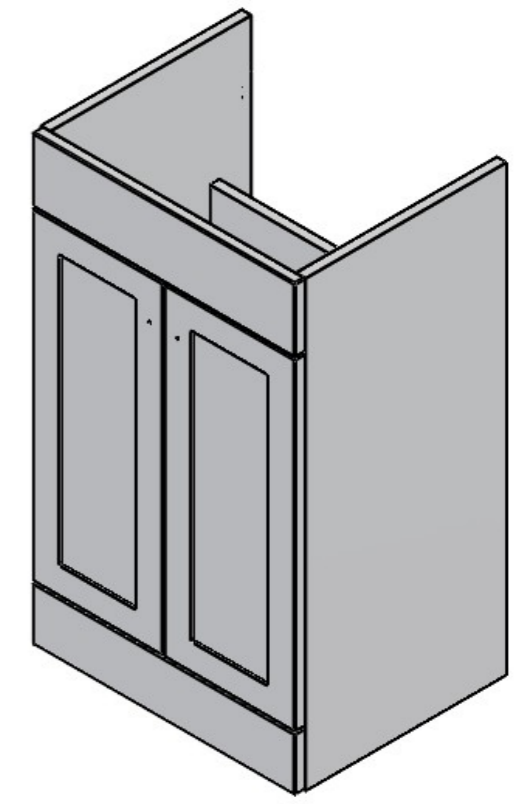
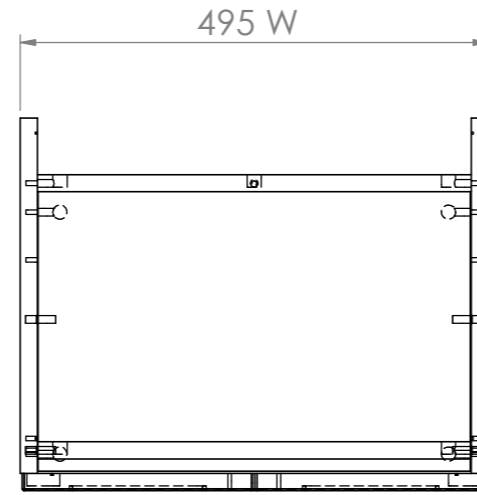


MIRROR ABOUT CENTRELINE



Summerbridge

This drawing belongs to HUMBER DOORS LTD and is not allowed to be copied, partly copied, reproduced or assigned without written approval from HUMBER DOORS LTD.

REV:	CHANGE DESCRIPTION:	REF:	DATE:	BY:
1	First Issue	N/A	17/02/2026	JA
DRAWN BY: D.Burge			DATE: 16/02/2026	REVISION: 1
APPROVED BY: J.Allen			DATE: 17/02/2026	

TITLE:
Sanctuary - 500mm 2 Door Floor Standing Unit

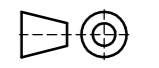
DWG NO.
KAR-SAN02

DIMENSIONS:
495W x 394D x 830H

UNLESS OTHERWISE SPECIFIED:
 DIMENSIONS ARE IN MILLIMETERS
 TOLERANCES:
 LINEAR: +/- 0.5mm
 ANGULAR: +/- 0.5°

DO NOT SCALE IF IN DOUBT ASK

SCALE: 1:8 SHEET 1 OF 1



A3