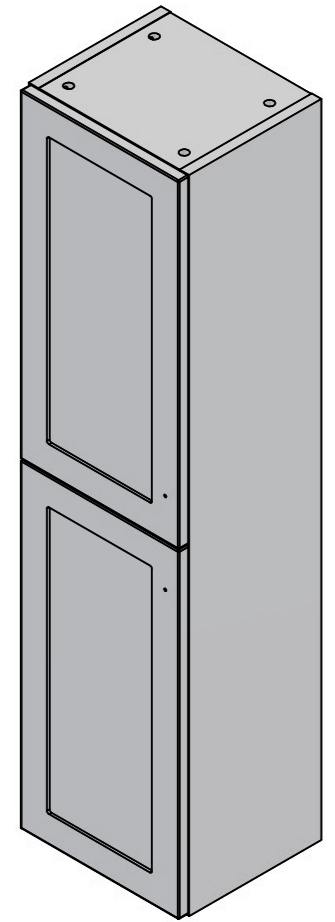
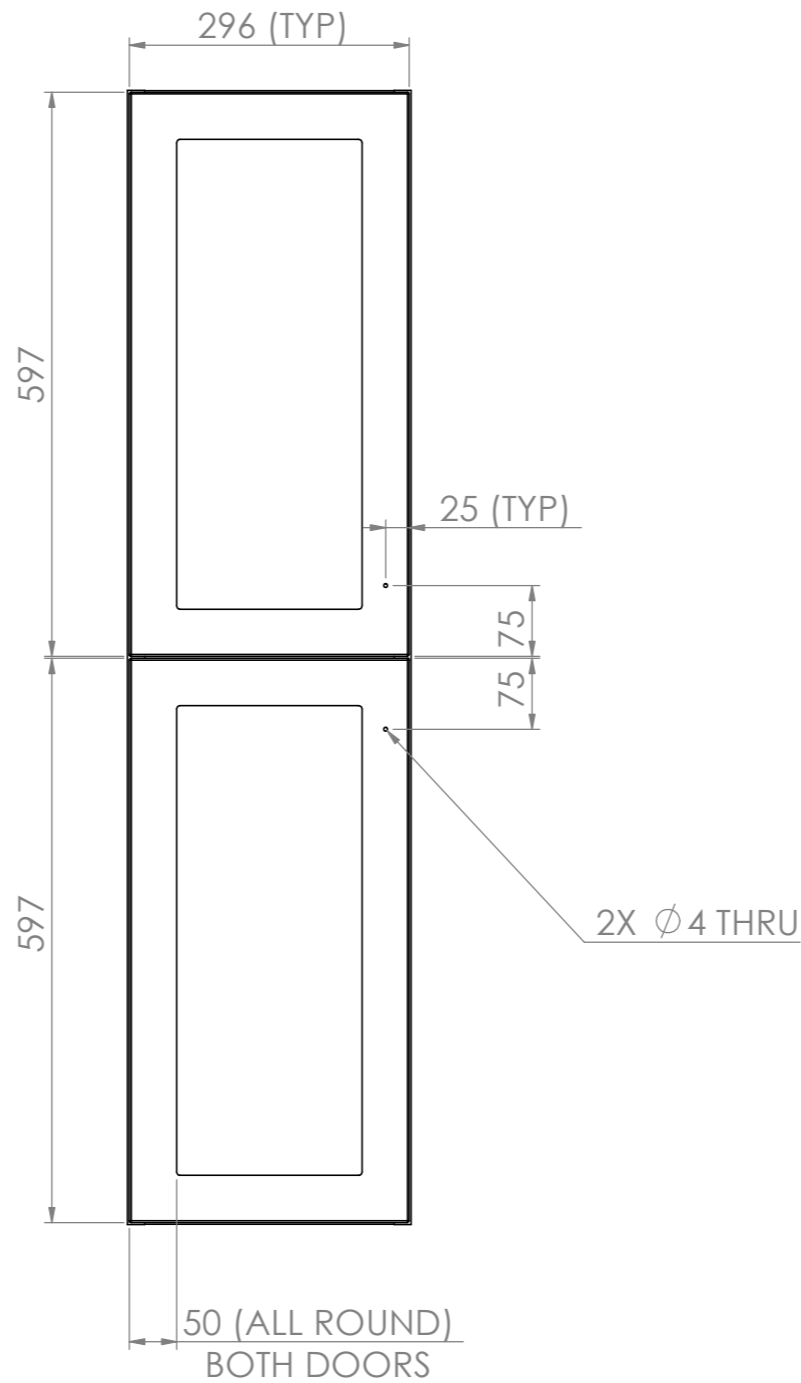
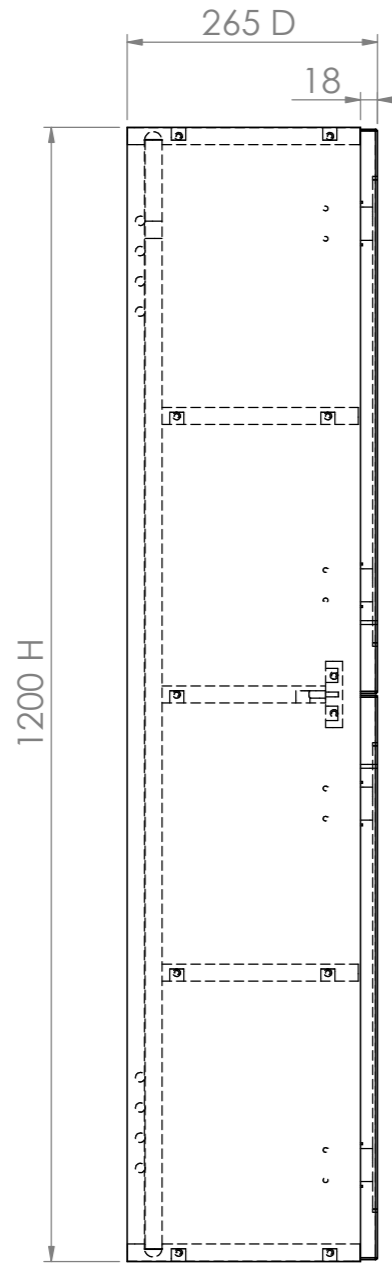
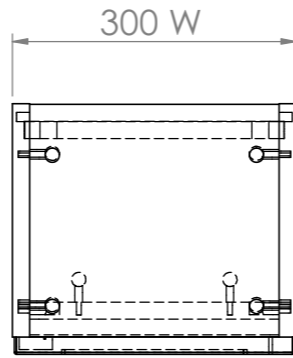


Frontals supplied loose & to be fitted as per customer specification.



Summerbridge

This drawing belongs to HUMBER DOORS LTD and is not allowed to be copied, partly copied, reproduced or assigned without written approval from HUMBER DOORS LTD.

REV:	CHANGE DESCRIPTION:	REF:	DATE:	BY:
1	First Issue	N/A	17/02/2026	JA
DRAWN BY: D.Burge			DATE: 05/02/2026	REVISION: 1
APPROVED BY: J.Allen			DATE: 17/02/2026	

TITLE:
Sanctuary - 300mm Tallboy Unit

DWG NO. **KAR-SAN04**

DIMENSIONS: **300W x 265D x 1200H**

UNLESS OTHERWISE SPECIFIED:
DIMENSIONS ARE IN MILLIMETERS
TOLERANCES:
LINEAR: +/- 0.5mm
ANGULAR: +/- 0.5°
SCALE: 1:8

DO NOT SCALE IF IN DOUBT ASK

A3

SHEET 1 OF 1