

**G4K 410mm CORNER BASIN**

ILLUSTRATION: G4K 410 1 TH CORNER BASIN

CODE: 410 1 TH BASIN - POT200G4K

410 2 TH BASIN - POT199G4K



COLOUR: WHITE

WEIGHT: BASIN

NET: 7.5 KG

GROSS: 8.0 KG

STANDARDS: BS EN 14688

BS EN 31

BS 3402

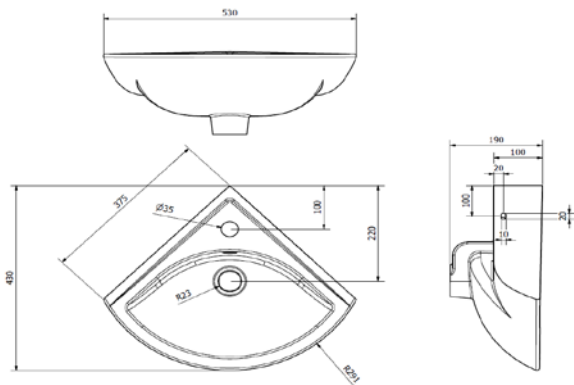
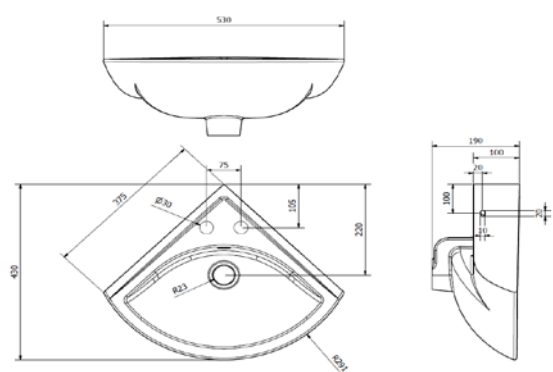
CE

15  
EN 14688:2006  
Wash Basin  
Made of Ceramic

NOTES:

VITREOUS CHINA

1 &amp; 2 TAP HOLE

**1 TAP HOLE BASIN****2 TAP HOLE BASIN**

BOX SIZES :- BASIN = 420 X 420 X 220 mm