

TAP004FL- FLAIR BATH FILLER



ILLUSTRATION: FLAIR BATH FILLER

BAR CODE: 5060168228468

COLOUR: CHROME PLATE

WEIGHT:

NET 2.4 kg

GROSS 2.7 kg

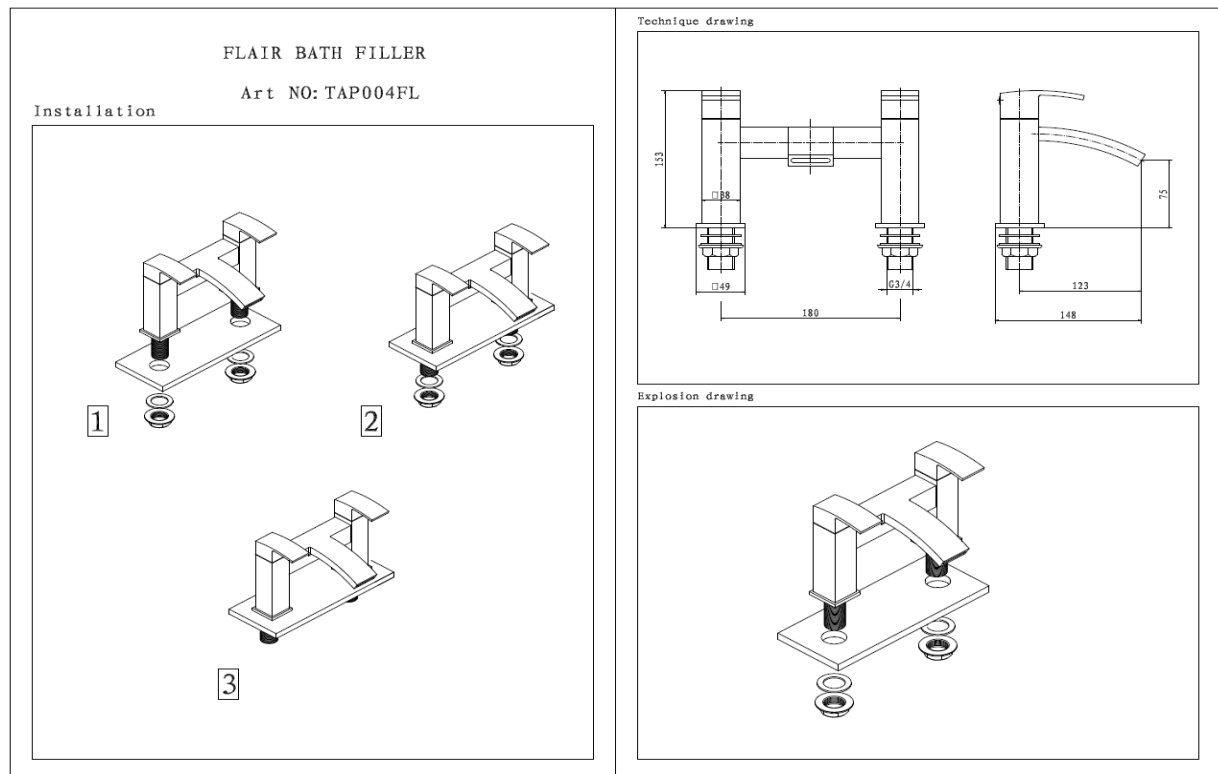
STANDARDS: BS EN 200

NOTES:

**3/4" BSP CONNECTIONS
CERAMIC DISC TECHNOLOGY**

Flow Rate: L.P

| 0.2bar | 0.5bar | 1bar | 2bar | 3bar |
|---------|-----------|-----------|----------|------|
| 11L/min | 17.2L/min | 24.3L/min | 34 L/min | |



BOX SIZE 250 x 160 x 210 mm