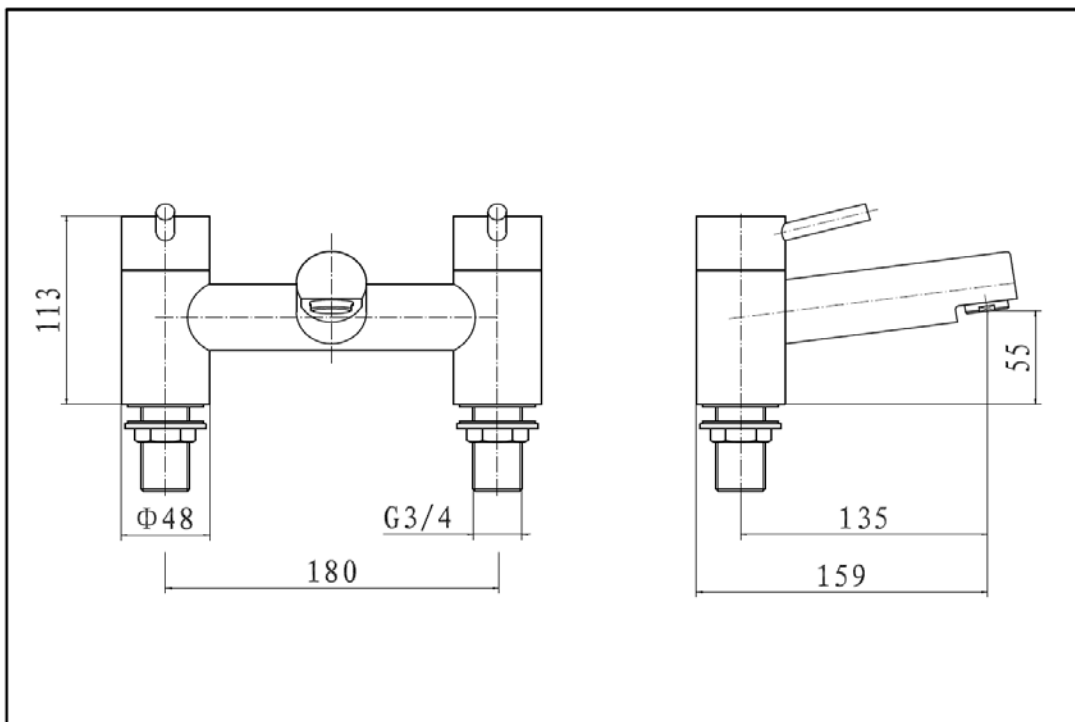


**TAP013PL- PLAN BATH FILLER****ILLUSTRATION: PLAN BATH FILLER****BAR CODE: 5060168228512****COLOUR: CHROME PLATE****WEIGHT:****NET 1.85 kg****GROSS 2.13 kg****STANDARDS: BS EN 200****NOTES:****3/4" BSP CONNECTIONS  
CERAMIC DISC TECHNOLOGY****Flow Rate: M.P**

0.2bar	0.5bar	1bar	2bar	3bar
9.6L/min	14.9L/min	21L/min	29.8L/min	42.6L/min

**BOX SIZE 250 x 190 x 180 mm**