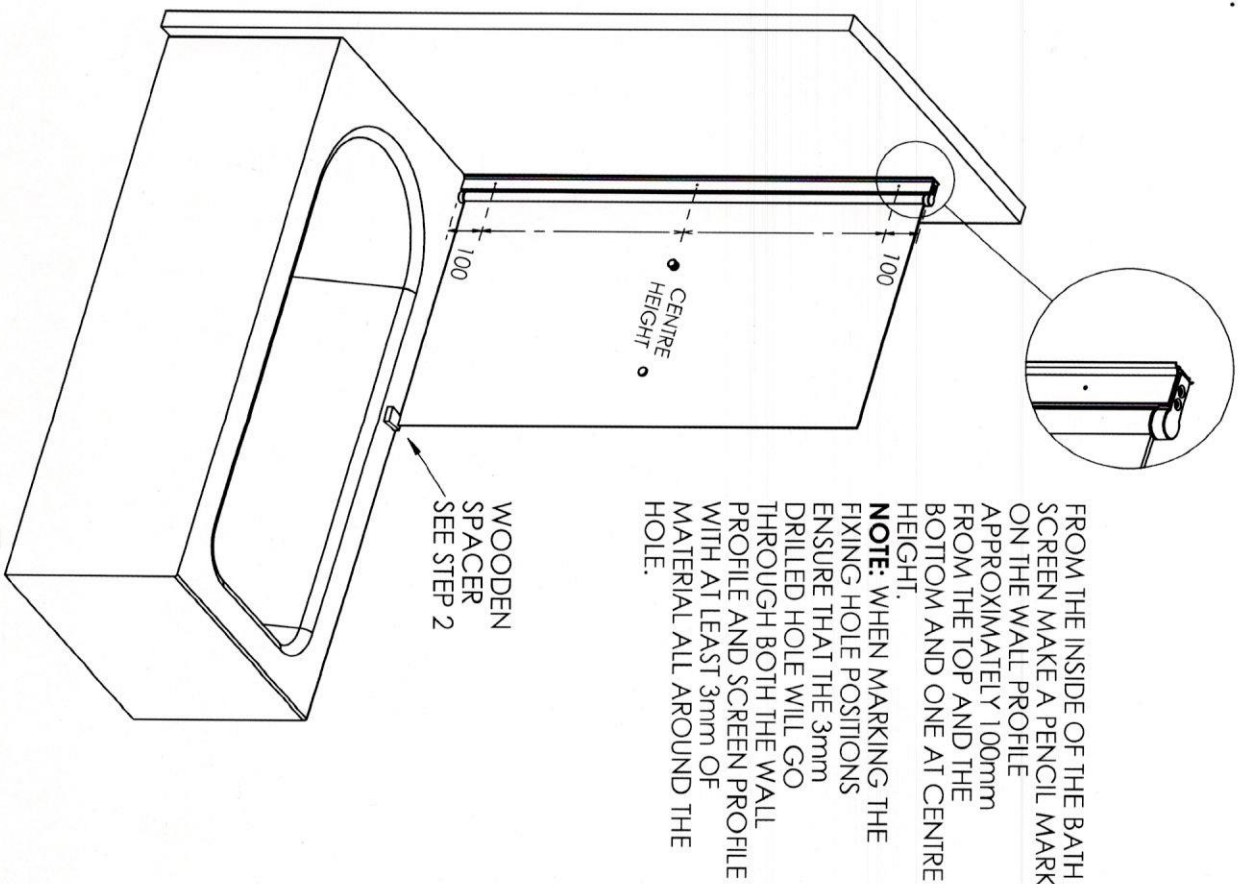
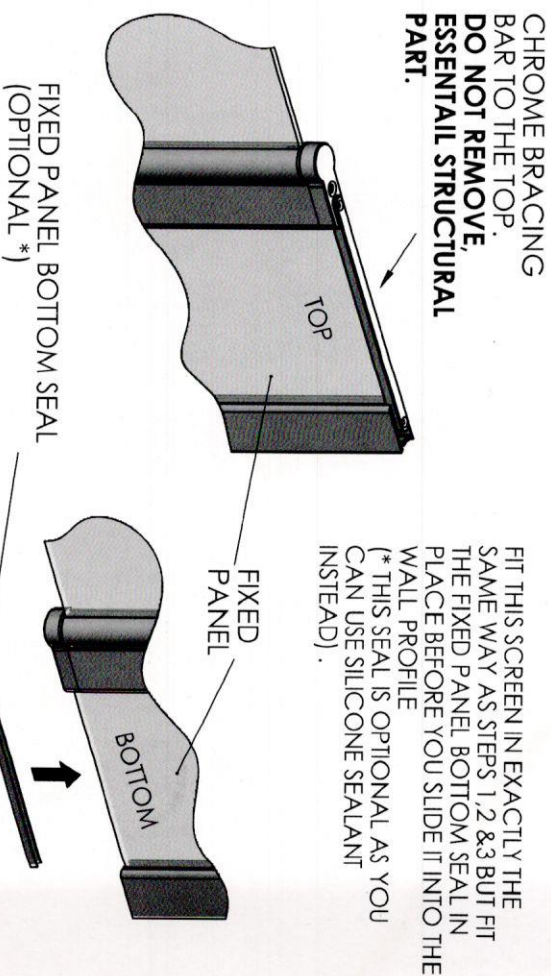


3.

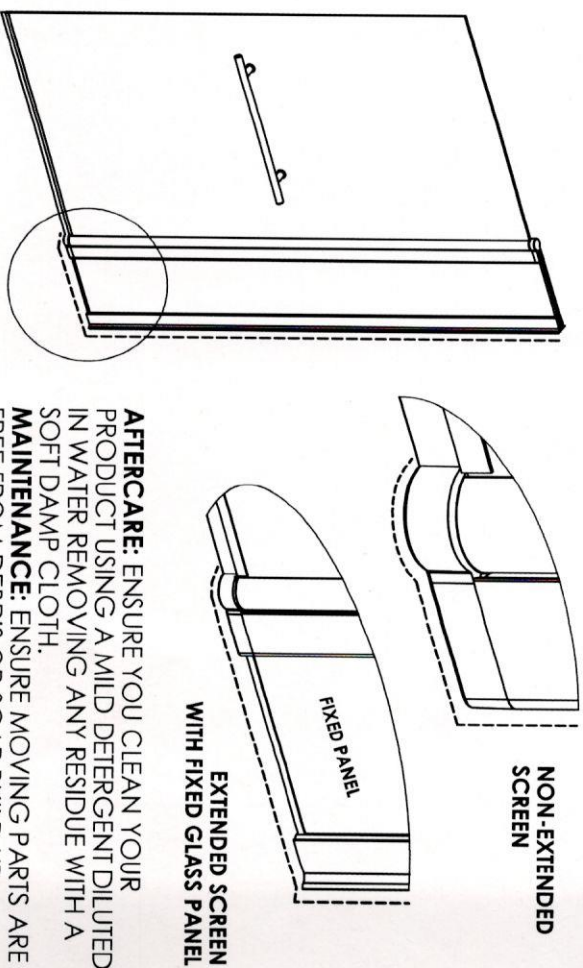


FIT THE SMALL SCREWS, CUP WASHER AND CHROME CAP IN 3 POSITIONS. THE SCREEN IS NOW FIXED IN PLACE

### EXTRA INFORMATION IF FITTING A SCREEN WITH A FIXED GLASS PANEL.



4. FIT SCREEN BATH SEAL TO GLASS PANEL AND SILICONE AS BELOW - - - - ALLOW 24 HOURS TO DRY BEFORE USING.



**AFTERCARE:** ENSURE YOU CLEAN YOUR PRODUCT USING A MILD DETERGENT DILUTED IN WATER REMOVING ANY RESIDUE WITH A SOFT DAMP CLOTH.

**MAINTENANCE:** ENSURE MOVING PARTS ARE FREE FROM DEBRIS OR SOAP BUILD UP.