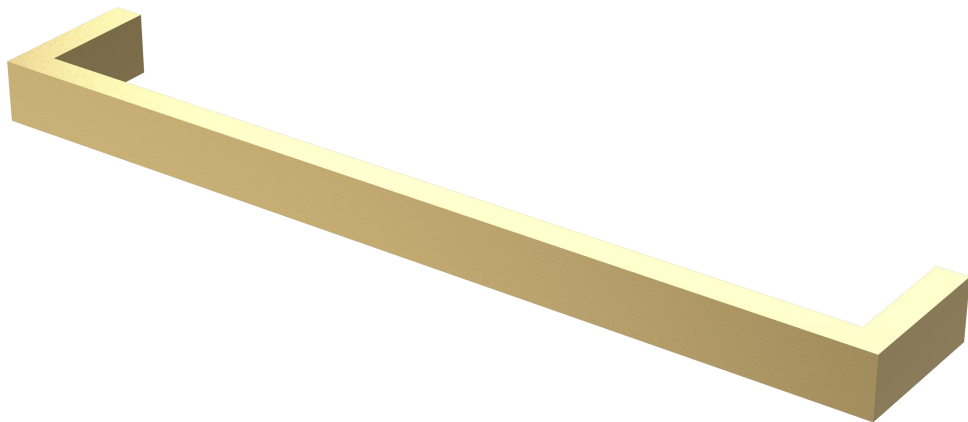


# INSTALLATION GUIDE



**ElectricTowel Rail**

**CE UK  
CA**

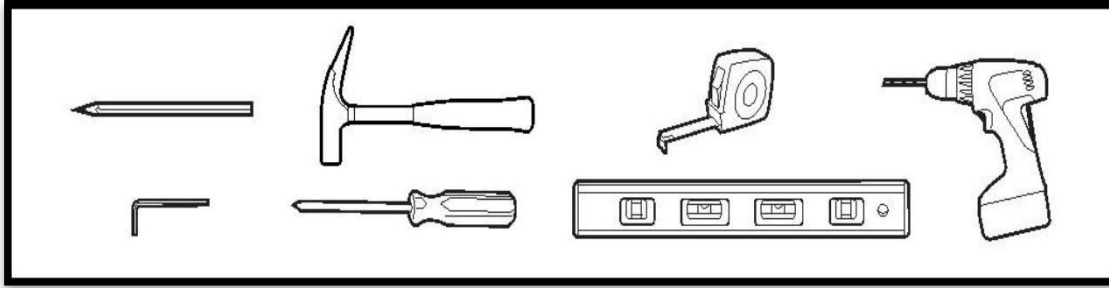
**Please read this instruction carefully before installation and operation.**



**Warning: This device must be installed by a licensed electrician.**

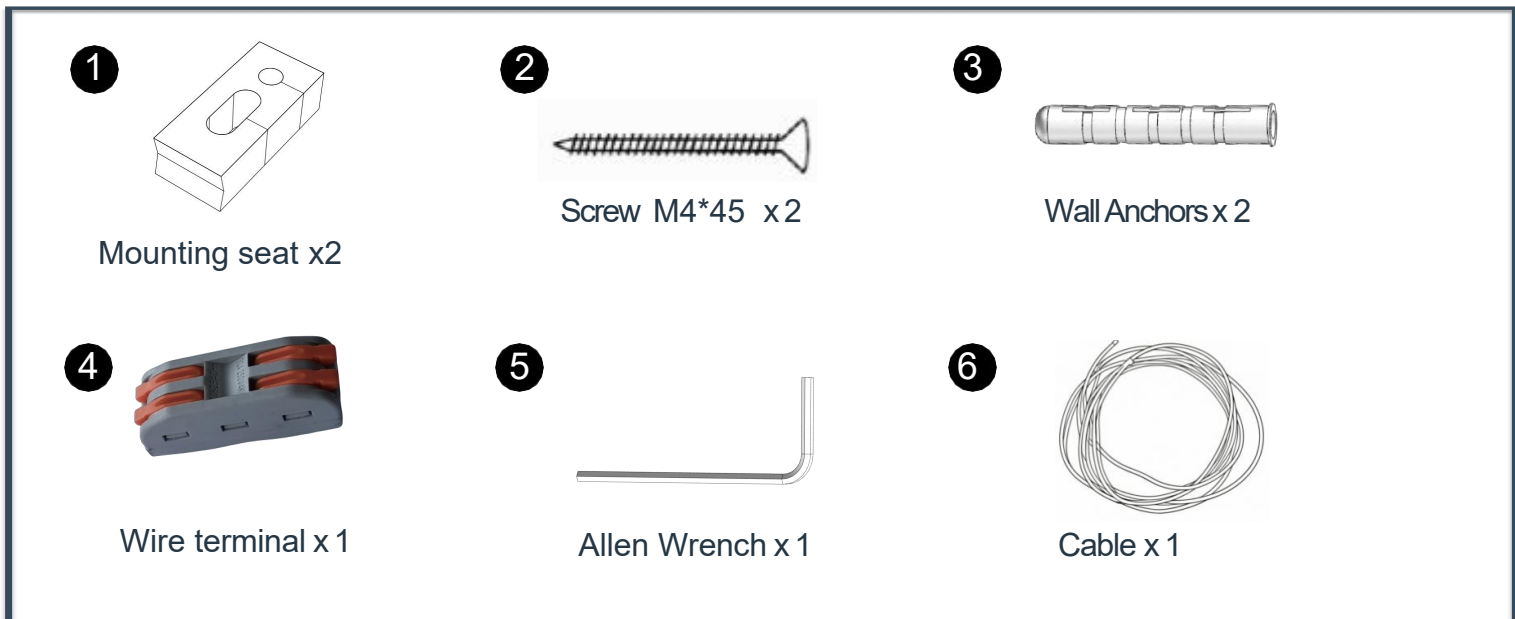
- This Towel Rail is not intended for use by persons (including children) with reduced physical, sensory or mental capabilities, or lack of experience and knowledge, unless they have been given supervision or instruction concerning use of the Towel Rail by a person responsible for their safety.
- In order to avoid a hazard, this Towel Rail must be installed so that the bottom rail is at least 600mm above the floor..
- This towel rail must be installed with a 12V transformer.
- The distance from the transformer to the towel rail must be less than 2 meters.
- This Towel Rail is intended to warm and dry towels and therefore is hot to the touch.
- The towel rail is to be installed so that switches and other controls cannot be touched by a person in the bath or shower.
- To avoid a hazard this towel rail must not be used to hold towels or any other articles that have been in contact with oil, petroleum based products or dry cleaning fluids.
- 8.Use this Towel Rail only with the voltage specified on the rating label.
- Do not immerse in liquid or allow liquid to run into the interior of the Towel Rail.
- Indoor use only.
- Do not operate this towel rail if damaged or after the Towel Rail malfunctions or has been dropped or damaged in any manner. Return to a qualified electrical person for examination, electrical service or repair.
- Use this Towel Rail only as described in this manual. Any other use is not recommended by the manufacturer and may cause fire, electrical shock or injury.
- Do not use this Towel Rail in a window as rain may cause electric shock.

## TOOLS REQUIRED



- Pencil
- Hammer
- Measuring Tape
- Hex key
- Screw driver
- Spirit level
- Electric drill

## ACCESSORIES

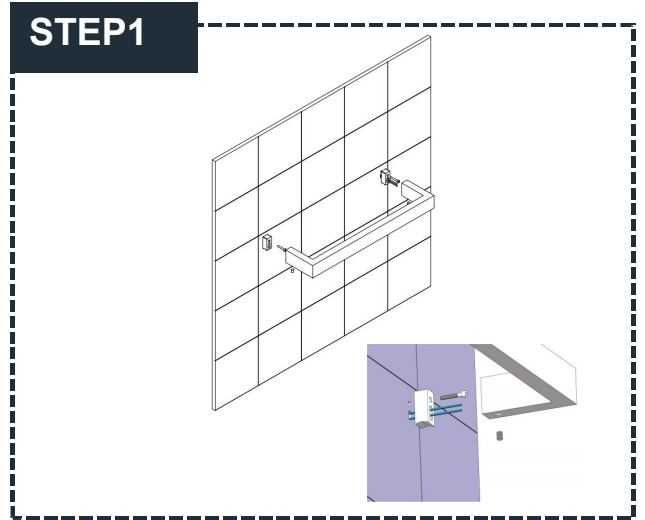


**Always choose a safe location for the Towel Rail, keeping in mind the safety precautions outlined. The transformer must be installed in a accessible and dry location.**

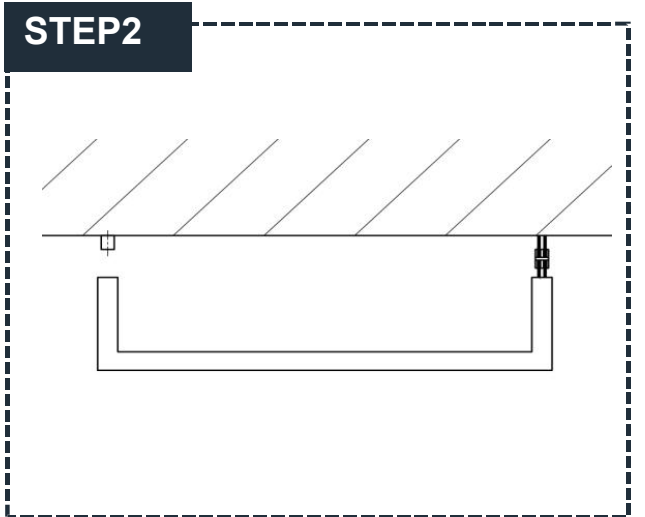
**Switch off mains power to ensure your safety before installing the Towel Rail.**

**This guide shows the installation of a single rail. Two or more rails can be installed together but must be wired in parallel to each other.**

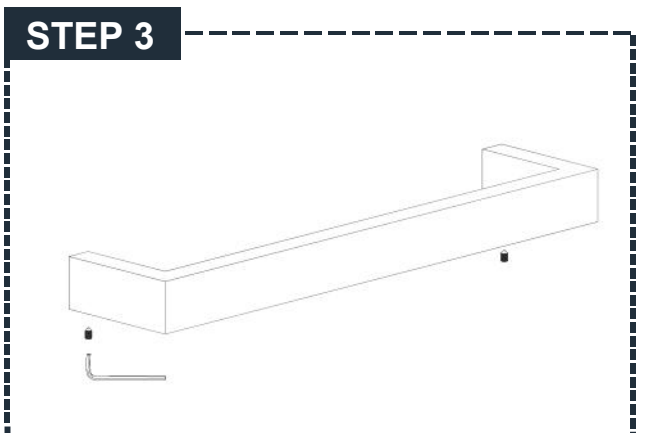
**STEP 1:** Fix the mounting seat ① to the wall with wall Anchors ③ and screws ② , make sure the wire tail from the wall is reachable for the connection from the rail mounting screws .(Accessories Required: 1 & 2 & 3 )



**STEP 2:** Connect the wire ⑥ from the wall to the terminal ④ from the Towel Rail.  
(Accessories Required: 4 & 6 )



**STEP 3:** Fix the Towel Rail to the mounting seat, Use the Allen wrench ⑤ to install the hex screws into the holes of the tubes to complete the installation.  
(Accessories Required: 5 )



## Operating your Towel Rail

**WARNING: Install must be completed by a registered electrician**

### ELECTRICIAN INFORMATION

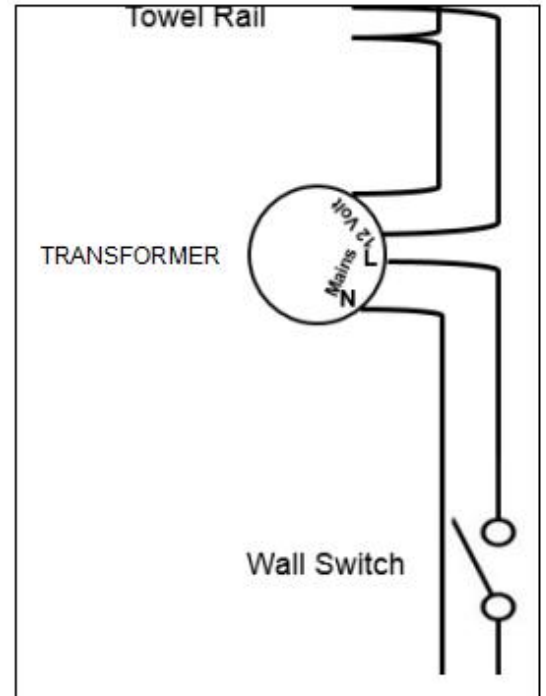
- A copy of this User Manual should be left with the
- Each 12V towel rail installation need at least one 12V transformer.
- The Transformer must be located in a dry and serviceable location. Distance from transformer to towel rail must be less than 2 meters.

### HEAT CONTROL

- These towel rails run at a single temperature. Be aware they do get very hot to the touch.

**CAUTION:** The Towel Rail generates heat during use. Proper precautions must be taken to prevent the risk of burns, scalds, fires or other damage to persons

Do not attempt to dismantle the towel rail. There are no user serviceable parts. For service or repair, contact an authorised electrical service technician.



**Warning: To prevent potential safety hazards, it is recommended that grounding and short circuit measurements be performed after installation of the device. This should be done by a licensed electrician.**

## TECHNICAL SPECIFICATIONS

Code	Size	Color	Power	Voltage
Singola	450*100mm	Chrome/Matt Black/ Brushed Brass/Brushed Nickel/Brushed Bronze	17W	230VAC,50Hz
Singola	500*100mm	Polished/Matt Black /Brushed Brass/Brushed Nickel/Brushed Bronze	19W	230VAC,50Hz
Singola	600*100mm	Polished/Matt Black/ Brushed Brass/Brushed Nickel/Brushed Bronze	23W	230VAC,50Hz

## DISPOSAL



In accordance with WEEE Directive 2012/19/EU, the icon with the crossed-out waste bin on electrical or electronic equipment stipulates that this equipment must not be disposed of with household waste at the end of its life. You will find collection points for free return of waste electrical and electronic equipment in your vicinity. The addresses can be obtained from your local authority.

The separate collection of waste electrical and electronic equipment enables the re-use, recycling and other forms of recovery of waste equipment, and prevents any negative effects for the environment or human health.