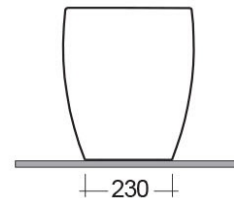
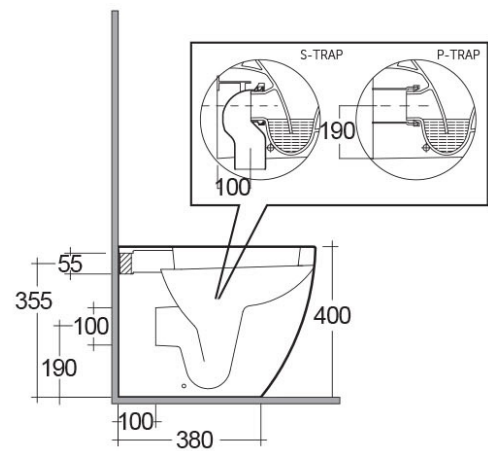
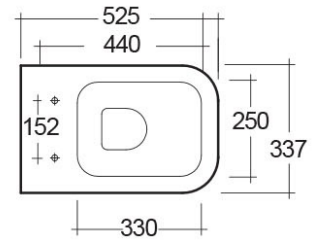


RAK-METROPOLITAN

Back to Wall | Water Closet

RAK
CERAMICS



Technical specifications

Dimensions: 525 x 337 mm

Weight: 25 Kg

Color: Alpine White

Trap type: P Trap & S Trap

Trapway type: Concealed

Seat cover options: ABS & Urea

Bowl shape: Rounded Rectangle

Soft close: yes

Dual flush: yes

Suites: [RAK-METROPOLITAN](#)

Code	Name
------	------

MP16AWHA	METROPOLITAN WATER CLOSET BACK TO WALL P S-TRAP 52CM
----------	--

Dimensions: All dimensions in mm tolerance $\pm 5\%$ for below 200mm and $\pm 3\%$ for above 200mm.

Note: Due to a continuing development programme to improve design and performance, the manufacturer reserves all rights to vary specifications without prior information.

Please note accessories are for photographic use only.