

Kitchen Sinks

Gourmet Dream Sink 2

Single Bowl Single Reversible Drainer

RAK
CERAMICS

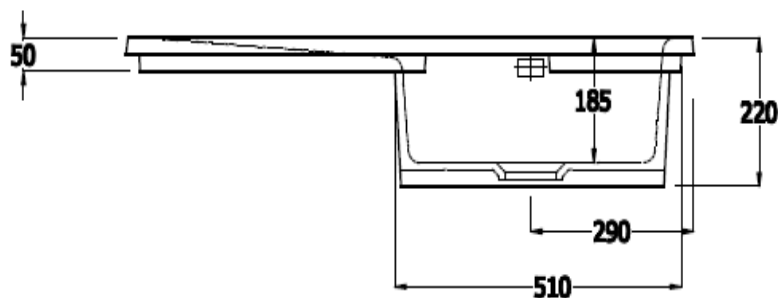
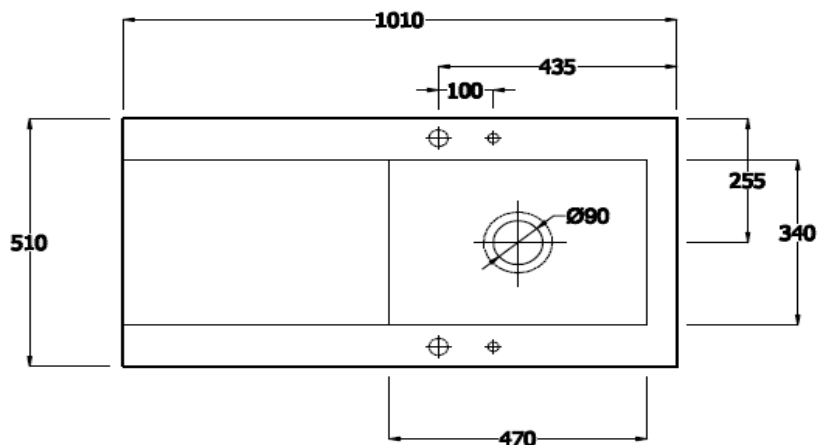


SPECIFICATION/CODE REFERENCE

Please use the reference codes shown below:

DSINK2

SIZE	1010 x 510 x 220 mm
CUT OUT SIZE	985 X 485 mm
MATERIAL	Fireclay
DRY HEAT RESISTANCE	Min 180 Deg C
APPROVALS	ISO9001;2008
WEIGHT	37.10 kg
COLOURS	White
TAPHOLES	Multi Use Model (Reservible)
WASTES	BWSTSS (SUPPLIED SEPARATELY)
OVERFLOW	O/FLOW + O/COVER (SUPPLIED SEPARATELY)
WARRANTY	10 Years



Dimensions: All measurements are in millimeters and are subject to normal manufacturing variations.

Note: Due to a continuing development programme to improve design and performance, the manufacturer reserves all rights to vary specifications without prior informations. Please note accessories are for photographic use only.

Tel: 01730 237850 Fax: 01730 263210. RAK Ceramics, Bradford House, Frenchmans Road, Petersfield, Hampshire GU32 3AW

Contact us at: info.uk@rakceramics.com / Visit us at: www.rakceramics.co.com 2017