

Bathroom Cabinet

UNO Single Door Cabinet

RAK
CERAMICS



SPECIFICATION/CODE REFERENCE

Please use the reference codes shown below:

12SL366A

SIZE 460 x 660 x 155 mm

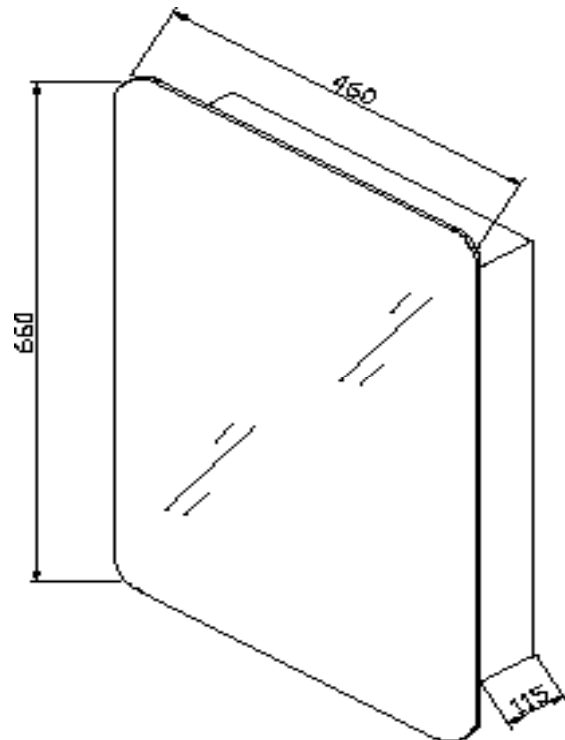
MATERIAL Stainless Steel

SHELF Fixed

FIXING Screw to wall

WEIGHT 7.50 kg

WARRANTY 2 Years



Dimensions: All measurements are in millimeters and are subject to normal manufacturing variations.
Note: Due to a continuing development programme to improve design and performance, the manufacturer reserves all rights to vary specifications without prior informations. Please note accessories are for photographic use only.

Tel: 01730 237850 Fax: 01730 263210. RAK Ceramics, Bradford House, Frenchmans Road, Petersfield, Hampshire
GU32 3AW

Contact us at: info.uk@rakceramics.com / Visit us at: www.rakceramics.com 2017